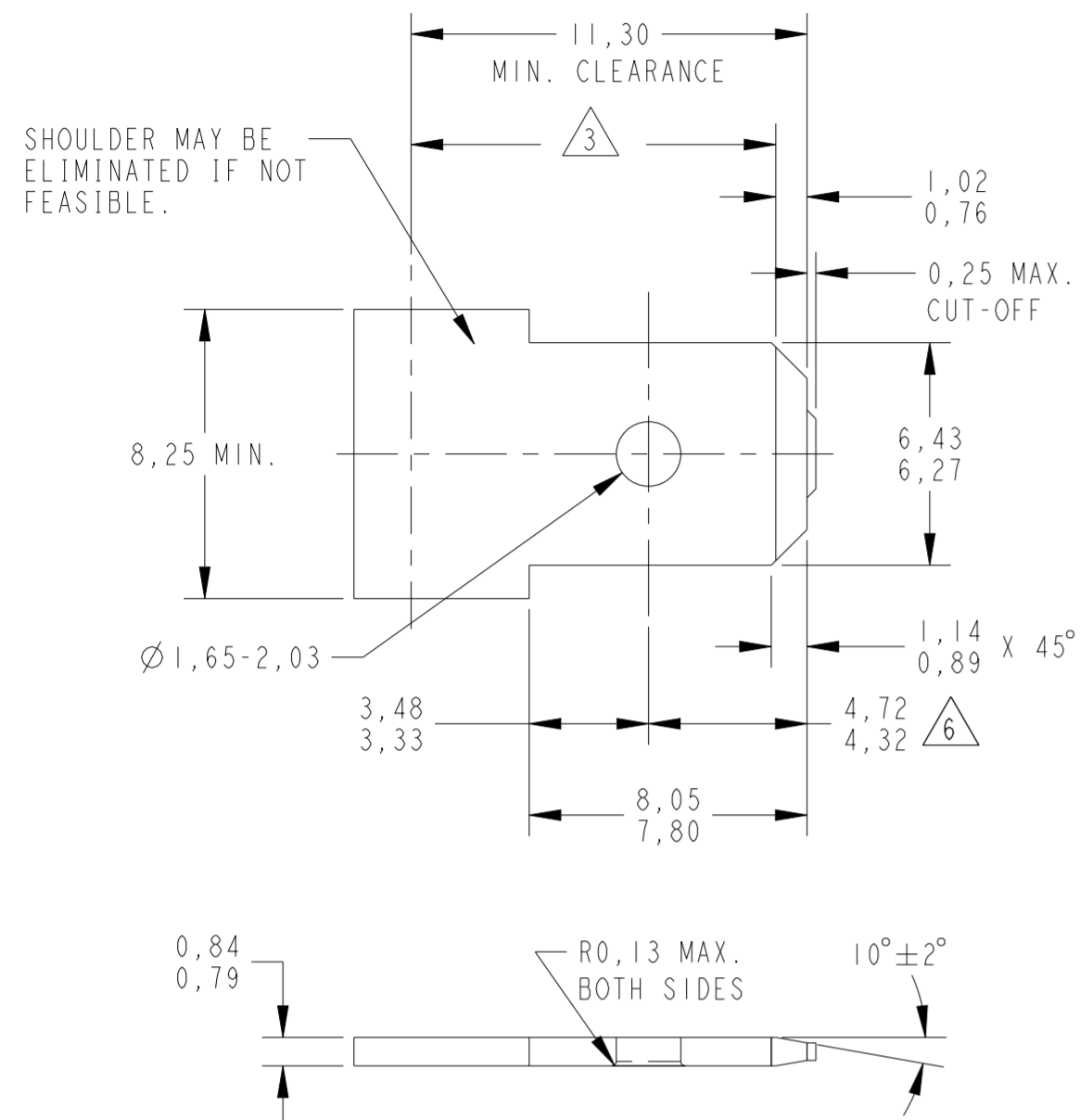
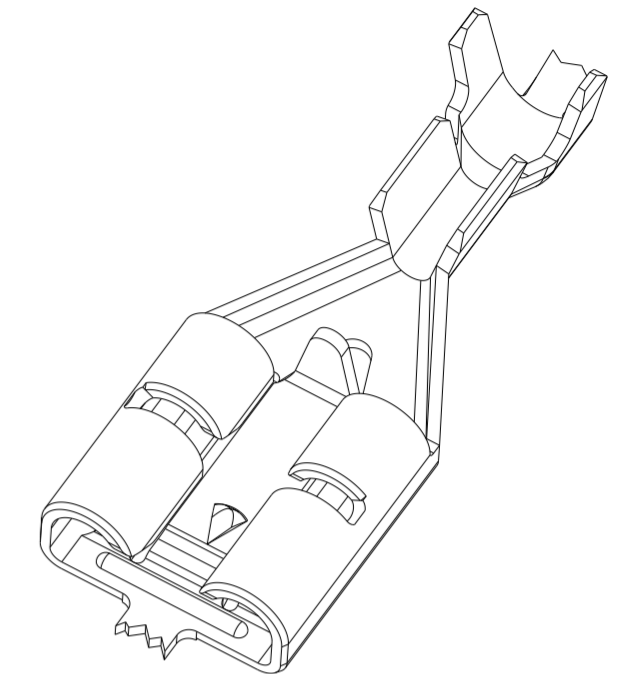
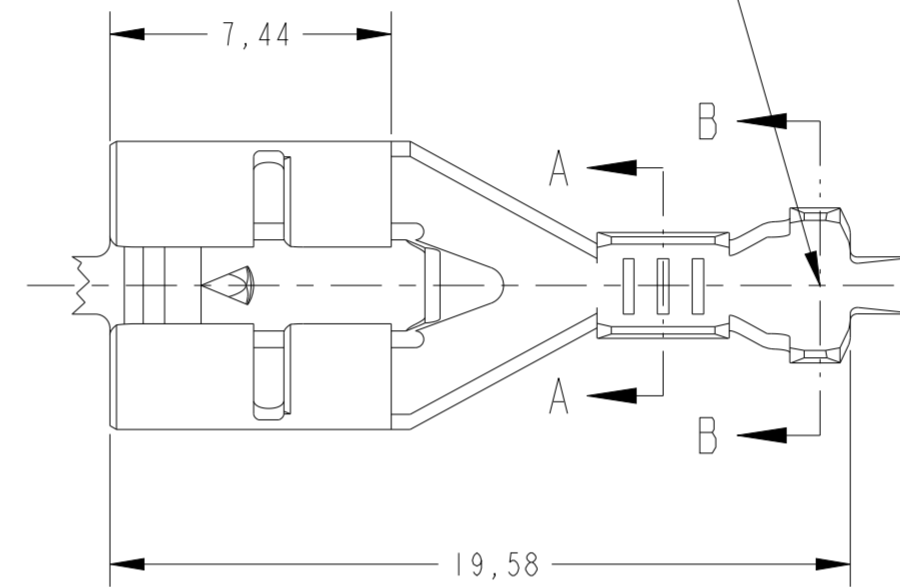


SUGGESTED MATING TAB



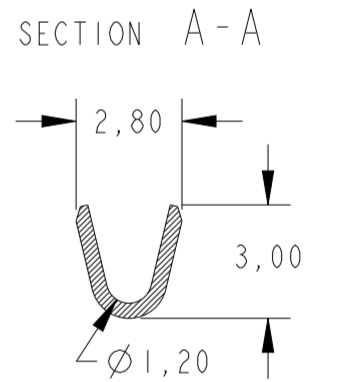
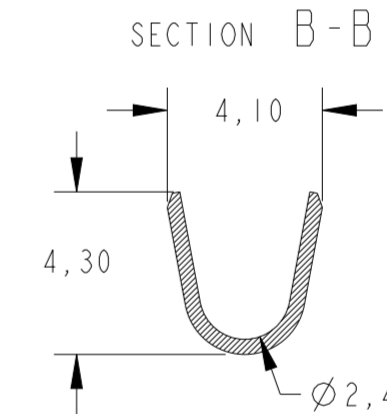
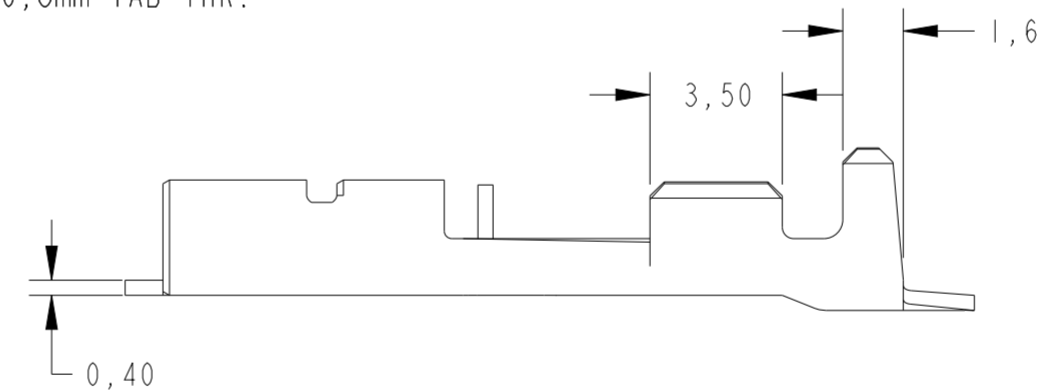
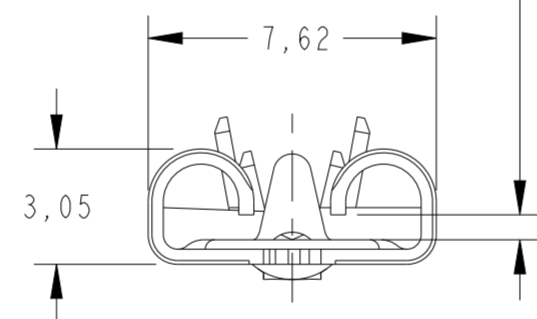
- 1 MATERIAL: 1/2 HARD BRASS OR NICKEL PLATED STEEL.
- 2 NO BURRS PERMISSIBLE AT HOLE.
- 3 MUST BE FLAT WITHIN 0.076 MM OVER THIS LENGTH.
- 4 TIN PLATING IS REQUIRED ON BRASS WHEN TERMINAL TEMPERATURE IS OVER 107°C.
- 5 HOLE MUST BE SYMMETRICAL ABOUT TAB CENTER WITHIN 0.076 MM.
- 6 TO BE USED ONLY WHEN SHOULDER IS ELIMINATED.

LOGOTIPO E CODIGO DO PAÍS PRODUTOR
LOGO AND MANUFACTURING COUNTRY CODE.



1- WIRE RANGE 0,50 / 1,00 mm²
INSULATION DIA. RANGE Ø2,00 / 2,70 mm.

PARA LINGUETA ESPESSURA 0,8mm
FOR 0,8mm TAB THK.



OBsolete	ESTANHADO/TINNED	LATÃO/BRASS	1380088-2
	NU/NONE	LATÃO/BRASS	1380088-1
	FINISH	MATERIAL	PART NUMBER

THIS DRAWING IS A CONTROLLED DOCUMENT.		DWN H.C. CANTERI 09AUG00	TE Connectivity	
		CHK W.L. STEFANI 09AUG00		
DIMENSIONS: mm		APVD - 09AUG00	NAME POSITIVE LOCK MKIII, L.I.F .250 SERIES RECEPT.	
TOLERANCES UNLESS OTHERWISE SPECIFIED: 0 PLC ± 1 PLC ± 2 PLC ±0,25 3 PLC ± 4 PLC ± ANGLES ±1° FINISH		PRODUCT SPEC 108-37058	SIZE A2	
MATERIAL SEE TABLE		APPLICATION SPEC -	CAGE CODE 00779	DRAWING NO C-1380088
		WEIGHT -	RESTRICTED TO -	
		CUSTOMER DRAWING	SCALE 10:1	SHEET OF REV C3

Mouser Electronics

Authorized Distributor

Click to View Pricing, Inventory, Delivery & Lifecycle Information:

[TE Connectivity:](#)

[1380088-1](#)