

4

3

2

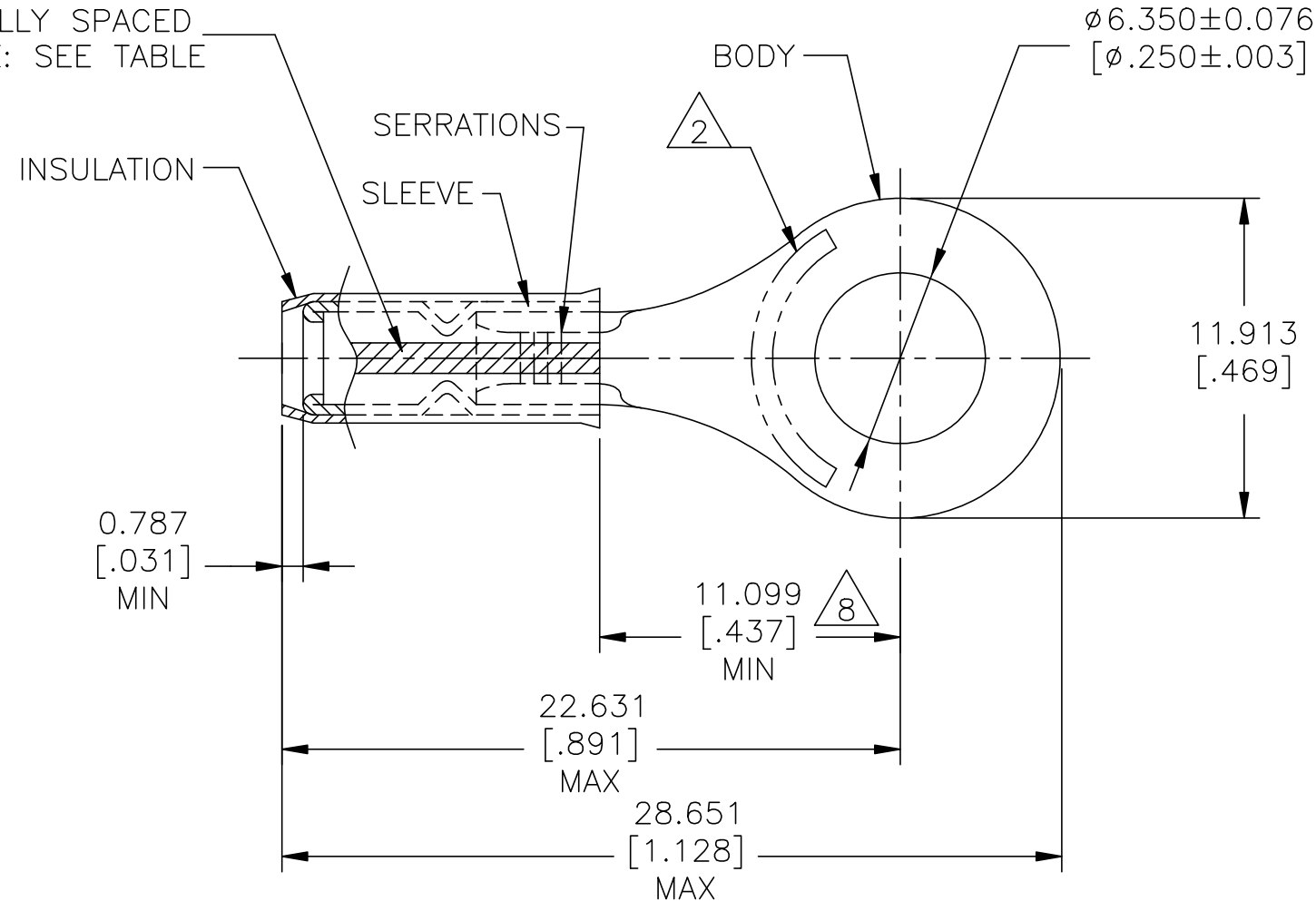
1

© B TE Connectivity. All Rights Reserved.

REVISIONS

P	LTR	DESCRIPTION	DATE	DWN	APVD
B		REVISED PER ECR-23-175984	30MAY2023	BB	DSC

3 STRIPES EQUALLY SPACED FOR COLOR CODE: SEE TABLE



1. NOTE DELETED
2. STAMP "AMP 22-18*" APPROX AS SHOWN
3. WIRE INSULATION DIAMETER: SEE TABLE
4. BODY MATERIAL THK: 0.787±0.051[.031±.002]
5. MATERIAL:
BODY & SLEEVE – COPPER PER ASTM B152
INSULATION – NYLON
6. FINISH:
BODY & SLEEVE – TIN PLATE 0.00254[.000100]
MIN EXT THK PER ASTM B545
INSULATION COLOR – RED
7. FINISH:
BODY & SLEEVE – TIN PLATE 0.00305[.000120]
MIN EXT THK PER ASTM B545
INSULATION COLOR – RED
8. APPLIES FROM EDGE OF METAL WIRE BARREL TO CENTER OF STUD HOLE

QTY	PACKAGE TYPE	STRIPE COLOR	WIRE INSULATION DIAMETER	WIRE SIZE	FINISH	PART NUMBER
1000	LOOSE PIECE	WHITE	1.422[.056] – 2.794[.110]	18	7	132250-3
1000	LOOSE PIECE	RED	1.168[.046] – 2.794[.110]	20	7	132250-2
250	LOOSE PIECE	GREEN	0.965[.038] – 2.794[.110]	22	6	132250-1

AMP INCORPORATED CUSTOMER SERVICE SYSTEMS		MAX RECOMMENDED OPERATING TEMPERATURE: 105°C [221°F] MAX	THIS DRAWING IS A CONTROLLED DOCUMENT.		DWN 12MAY2023 LINGANATHAN P	TE TE Connectivity				
FOR ADDITIONAL PRODUCT INFORMATION OR COPIES OF DRAWINGS AND TECHNICAL DOCUMENTS	PRODUCT INFORMATION CENTER 1-800-522-6752	VOLTAGE RATING: 300 V MAX	DIMENSIONS: mm [INCHES]	TOLERANCES UNLESS OTHERWISE SPECIFIED:	CHK 12MAY2023 SUVARNA, CHETHAN D			NAME TERMINAL, RING TONGUE, IR, PIDG™		
FOR APPLICATION TOOLING INFORMATION	TOOLING ASSISTANCE CENTER 1-800-722-1111	WIRE RANGE: CIRC MIL AREA: 22 0.38mm² [754] 20 0.60mm² [1,186] 18 0.96mm² [1,900] STRANDED		0 PLC ± - 1 PLC ± - 2 PLC ± - 3 PLC ± 0.127[.005] 4 PLC ± - ANGLES ± -	APVD 12MAY2023 SUVARNA, CHETHAN D	WIRE SIZE: 22, 20 & 18 AWG				
FOR ORDER ENTRY	1-800-526-5142	THIS DRAWING IS A CONTROLLED DOCUMENT FOR AMP INCORPORATED. IT IS SUBJECT TO CHANGE AND THE CONTROLLING ENGINEERING ORGANIZATION SHOULD BE CONTACTED FOR THE LATEST REVISION.	MATERIAL 5	FINISH SEE TABLE	PRODUCT SPEC - APPLICATION SPEC 114-2157	SIZE A3	CAGE CODE 00779	DRAWING NO C-132250	RESTRICTED TO -	
					WEIGHT -	CUSTOMER DRAWING		SCALE NTS	SHEET 1 of 1	REV B

Mouser Electronics

Authorized Distributor

Click to View Pricing, Inventory, Delivery & Lifecycle Information:

[TE Connectivity:](#)

[132250-2](#)