

4

3

2

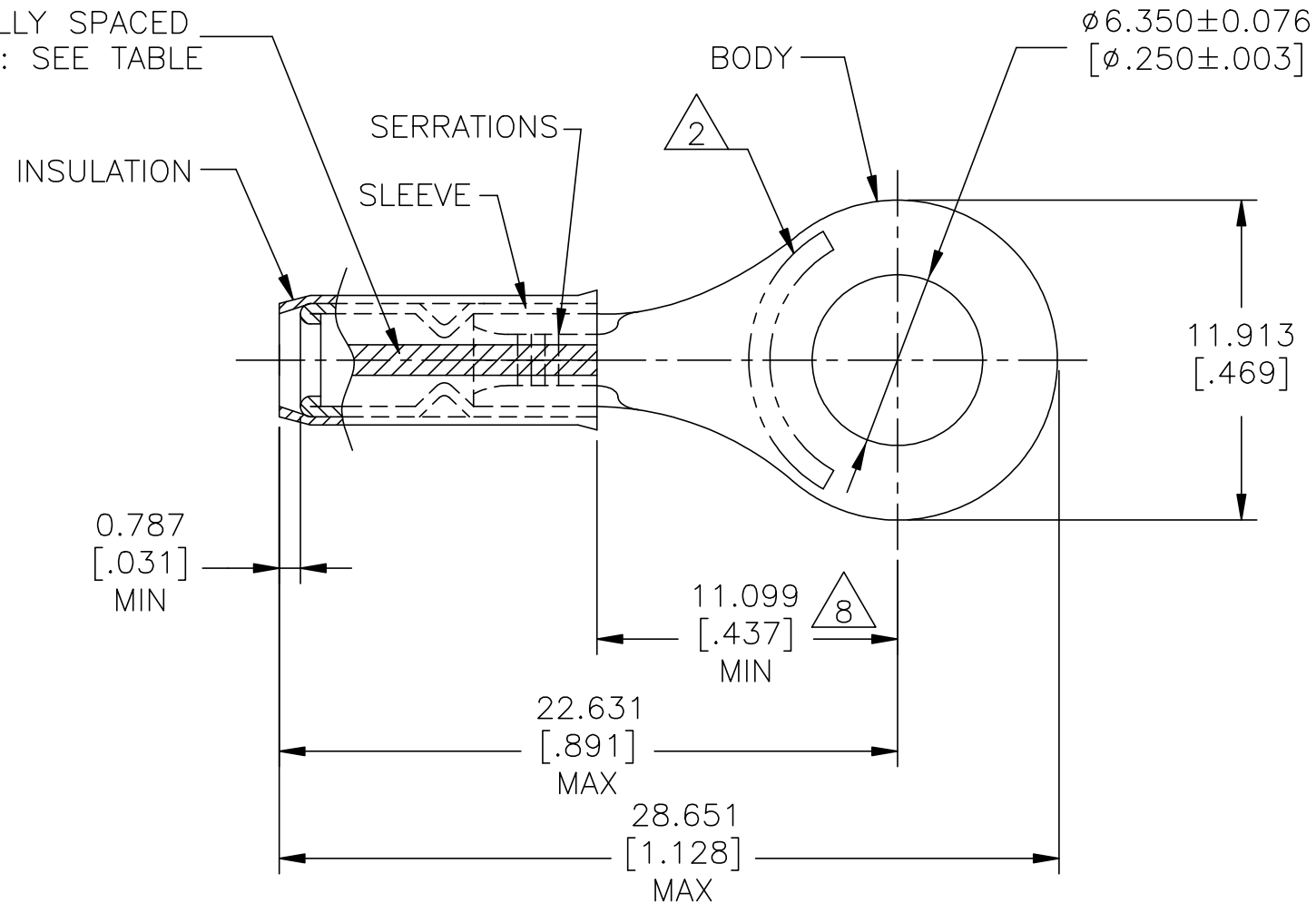
1

© B TE Connectivity. All Rights Reserved.

REVISIONS

P	LTR	DESCRIPTION	DATE	DWN	APVD
B		REVISED PER ECR-23-175984	30MAY2023	BB	DSC

3 STRIPES EQUALLY SPACED FOR COLOR CODE: SEE TABLE



1. NOTE DELETED
2. STAMP "AMP 22-18\*" APPROX AS SHOWN
3. WIRE INSULATION DIAMETER: SEE TABLE
4. BODY MATERIAL THK: 0.787±0.051[.031±.002]
5. MATERIAL:  
BODY & SLEEVE - COPPER PER ASTM B152  
INSULATION - NYLON
6. FINISH:  
BODY & SLEEVE - TIN PLATE 0.00254[.000100]  
MIN EXT THK PER ASTM B545  
INSULATION COLOR - RED
7. FINISH:  
BODY & SLEEVE - TIN PLATE 0.00305[.000120]  
MIN EXT THK PER ASTM B545  
INSULATION COLOR - RED
8. APPLIES FROM EDGE OF METAL WIRE BARREL TO CENTER OF STUD HOLE

QTY	PACKAGE TYPE	STRIPE COLOR	WIRE INSULATION DIAMETER	WIRE SIZE	FINISH	PART NUMBER
1000	LOOSE PIECE	WHITE	1.422[.056] - 2.794[.110]	18	7	132250-3
1000	LOOSE PIECE	RED	1.168[.046] - 2.794[.110]	20	7	132250-2
250	LOOSE PIECE	GREEN	0.965[.038] - 2.794[.110]	22	6	132250-1

<p>AMP INCORPORATED CUSTOMER SERVICE SYSTEMS</p> <p>FOR ADDITIONAL PRODUCT INFORMATION OR COPIES OF DRAWINGS AND TECHNICAL DOCUMENTS PRODUCT INFORMATION CENTER 1-800-522-6752</p> <p>FOR APPLICATION TOOLING ASSISTANCE CENTER TOOLING INFORMATION 1-800-722-1111</p> <p>FOR ORDER ENTRY 1-800-526-5142</p>		<p>MAX RECOMMENDED OPERATING TEMPERATURE: 105°C [221°F] MAX</p> <p>VOLTAGE RATING: 300 V MAX</p> <p>WIRE RANGE: CIRC MIL AREA: 22 0.38mm² [754] 20 0.60mm² [1,186] 18 0.96mm² [1,900] STRANDED</p>	THIS DRAWING IS A CONTROLLED DOCUMENT.		<p>DWN 12MAY2023 LINGANATHAN P</p> <p>CHK 12MAY2023 SUVARNA, CHETHAN D</p> <p>APVD 12MAY2023 SUVARNA, CHETHAN D</p> <p>PRODUCT SPEC</p>		<p><b>TE</b> TE Connectivity</p> <p>NAME TERMINAL, RING TONGUE, IR, PIDG™ WIRE SIZE: 22, 20 &amp; 18 AWG</p>		
			<p>DIMENSIONS: mm [INCHES]</p>	<p>TOLERANCES UNLESS OTHERWISE SPECIFIED:</p> <p>0 PLC ± - 1 PLC ± - 2 PLC ± - 3 PLC ± 0.127[.005] 4 PLC ± - ANGLES ± -</p>	<p>APPLICATION SPEC 114-2157</p> <p>WEIGHT -</p>	<p>SIZE A3</p> <p>CAGE CODE 00779</p> <p>DRAWING NO 132250</p>	<p>RESTRICTED TO -</p>		
<p>THIS DRAWING IS A CONTROLLED DOCUMENT FOR AMP INCORPORATED. IT IS SUBJECT TO CHANGE AND THE CONTROLLING ENGINEERING ORGANIZATION SHOULD BE CONTACTED FOR THE LATEST REVISION.</p>			<p>MATERIAL 5</p>	<p>FINISH SEE TABLE</p>	<p>CUSTOMER DRAWING</p>		<p>SCALE NTS</p>	<p>SHEET 1 of 1</p>	<p>REV B</p>

# Mouser Electronics

Authorized Distributor

Click to View Pricing, Inventory, Delivery & Lifecycle Information:

[TE Connectivity:](#)

[132250-1](#)