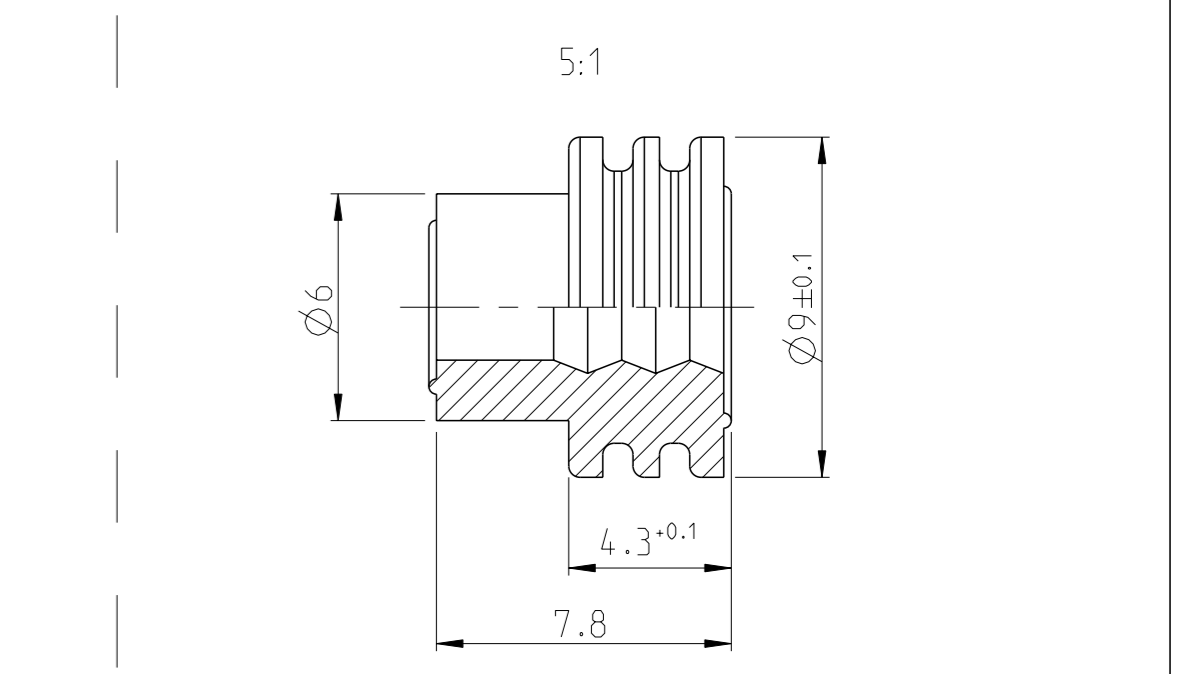
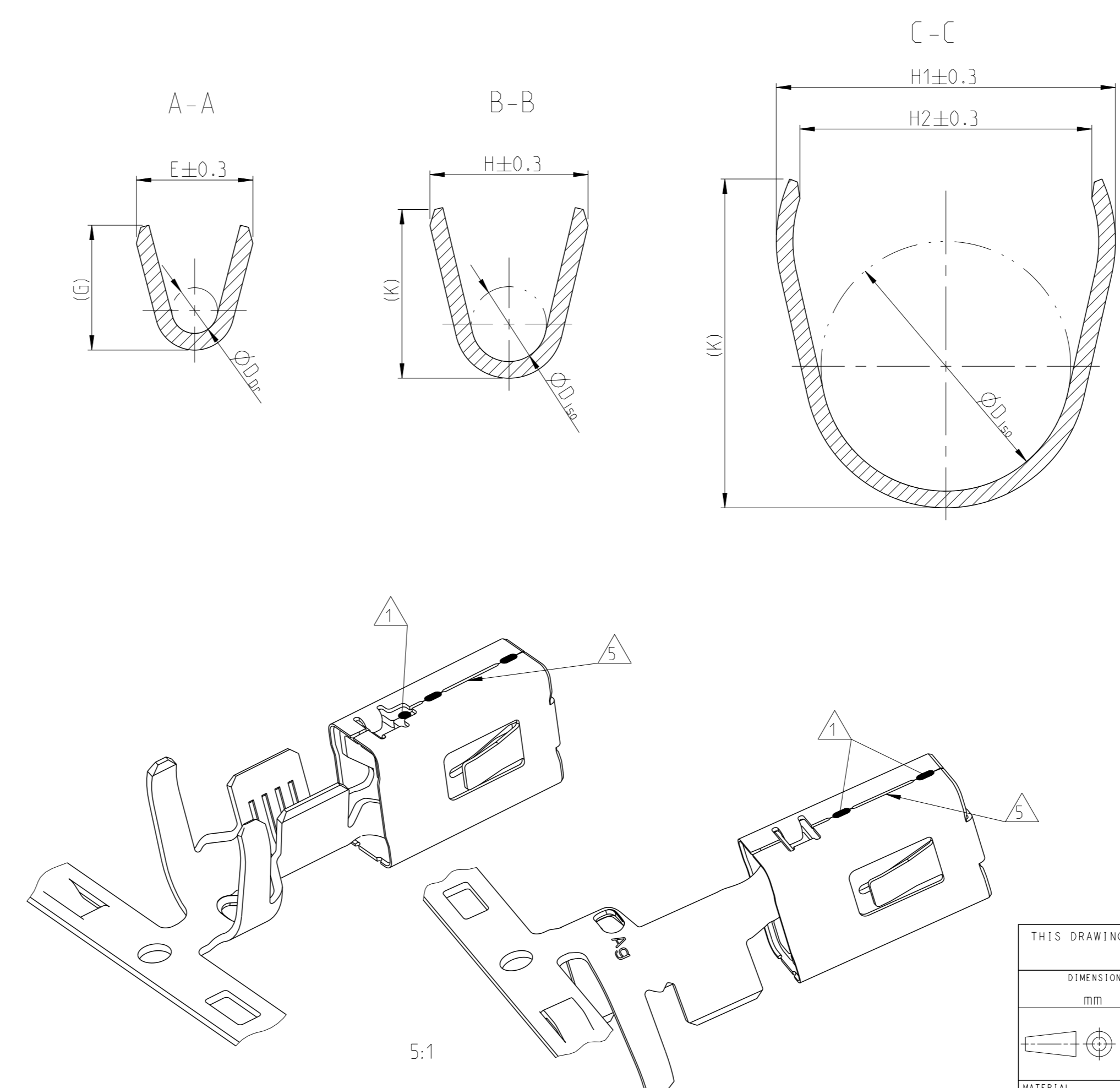


LOC	DIST	REVISIONS				
		REV	DESCRIPTION	DATE	OWN	APVD
A1	-	A14	Dimension min. 1.25 was at misleading position	08AUG2017	FRAN	BECK
		A15	NEW VARIANT 5-1241400-1; 5-1241410-1 and 5-1241410-3	09APR2018	FRAN	BECK
		A16	NEW PN 1-2333550-3; 1-2333551-3; 1-2333552-3 AT SHEET 2	03DEC2020	FRAN	BECK
		A17	PCN-22-158848	22NOV2022	FRAN	KIEF



SINGLE WIRE SEAL Einzeldichtung		
ORDER NO. Bestell-Nr.	INSULATION-Ø Isolations-Ø	COLOUR Farbe
2177018-1	1.2-2.0	YELLOW gelb
1394511-1	2.0-2.7	WHITE weiss
1823111-1	2.7-3.0	REDBROWN rotbraun
1394512-1	3.4-3.7	BLUE blau
1719043-1	4.0-4.5	GREEN gruen

ORDER NO. STRIP Bestell-Nr. Bandware	Rev.	WIRE RANGE Drahtgrößen Bereich (mm 2)	INSULATION-Ø Isolations-Ø (mm)	MATERIAL Werkstoff	SURFACE IN CONTACT AREA Oberflaeche im Kontaktbereich	CRIMP DIMENSION Crimpabmessungen				WIRE CRIMP Drahtcrimp	INSULATION CRIMP Isolations Crimp
						A	B	C	F		
1241418-4	A				TIN PLATED / SnAg verzinnt / SnAg					E = 5.3 G = 5.6 D _{Dr} = 2.9	H1= 8.15 H2= 7.0 K = 7.9 D _{Iso} = 6.0
2-1241418-3	A	4.0-6.0	3.4-4.3	CuNiSi	SILVER PLATED versilbert	4.5	6.9	8.7	20.95		
1-1241418-3	A				SILVER PLATED versilbert						
1241416-3	A				SILVER PLATED versilbert					E = 4.6 G = 4.8 D _{Dr} = 2.4	H1= 8.15 H2= 7.0 K = 7.9 D _{Iso} = 6.0
1241416-1	A	>2.5-4.0	3.4-4.5	CuNiSi	TIN PLATED verzinnt	4.0	5.9	7.7	19.95		
1241414-3	A				SILVER PLATED versilbert					E = 3.8 G = 4.0 D _{Dr} = 1.7	H1= 8.15 H2= 7.0 K = 7.9 D _{Iso} = 5.7
1241414-1	A	>1.0-2.5	2.2-3.7	CuNiSi	TIN PLATED verzinnt	3.5	5.9	7.7	19.95		
1241412-3	A				SILVER PLATED versilbert					E = 2.8 G = 3.0 D _{Dr} = 1.1	H1= 7.8 H2= 6.7 K = 7.5 D _{Iso} = 5.5
1241412-1	A	0.5-1.0	1.4-2.7	CuNiSi	TIN PLATED verzinnt	3.0	5.4	7.2	19.95		
5-1241410-3	A				SILVER PLATED versilbert						
1241410-3	A				SILVER PLATED versilbert					E = 2.2 G = 2.2 D _{Dr} = 0.8	H1= 7.7 H2= 6.6 K = 7.5 D _{Iso} = 5.5
5-1241410-1	A	0.35-0.5	1.2-2.3	CuNiSi	TIN PLATED verzinnt	2.5	4.9	6.7	19.95		
1241410-1	A				TIN PLATED verzinnt						
2-1241408-3	A				SILVER PLATED versilbert					E = 5.3 G = 5.6 D _{Dr} = 2.9	H = 6.7 K = 7.0 D _{Iso} = 3.9
1-1241408-3	A	4.0-6.0	3.4-4.3	CuNiSi	SILVER PLATED versilbert	4.5	6.0	7.8	19.95		
1241408-1	A				TIN PLATED verzinnt						
1241406-3	A				SILVER PLATED versilbert					E = 4.6 G = 4.8 D _{Dr} = 2.4	H = 6.4 K = 6.7 D _{Iso} = 4.0
1241406-1	A	>2.5-4.0	3.4-4.5	CuNiSi	TIN PLATED verzinnt	4.0	5.2	6.8	19.05		
1241404-3	A				SILVER PLATED versilbert					E = 3.8 G = 4.0 D _{Dr} = 1.7	H = 4.7 K = 4.9 D _{Iso} = 2.6
1241404-1	A	>1.0-2.5	2.2-3.0	CuNiSi	TIN PLATED verzinnt	3.5	4.7	6.3	19.05		
1241402-3	A				SILVER PLATED versilbert					E = 2.8 G = 3.0 D _{Dr} = 1.1	H = 3.8 K = 4.1 D _{Iso} = 1.8
1241402-1	A	0.5-1.0	1.4-2.1	CuNiSi	TIN PLATED verzinnt	3.0	4.2	5.8	19.05		
5-1241400-1	A				TIN PLATED verzinnt					E = 2.2 G = 2.2 D _{Dr} = 0.8	H = 3.1 K = 3.1 D _{Iso} = 1.4
1241400-1	A	0.2-0.5	1.1-1.6	CuNiSi	TIN PLATED verzinnt	2.5	3.8	6.6	19.05		

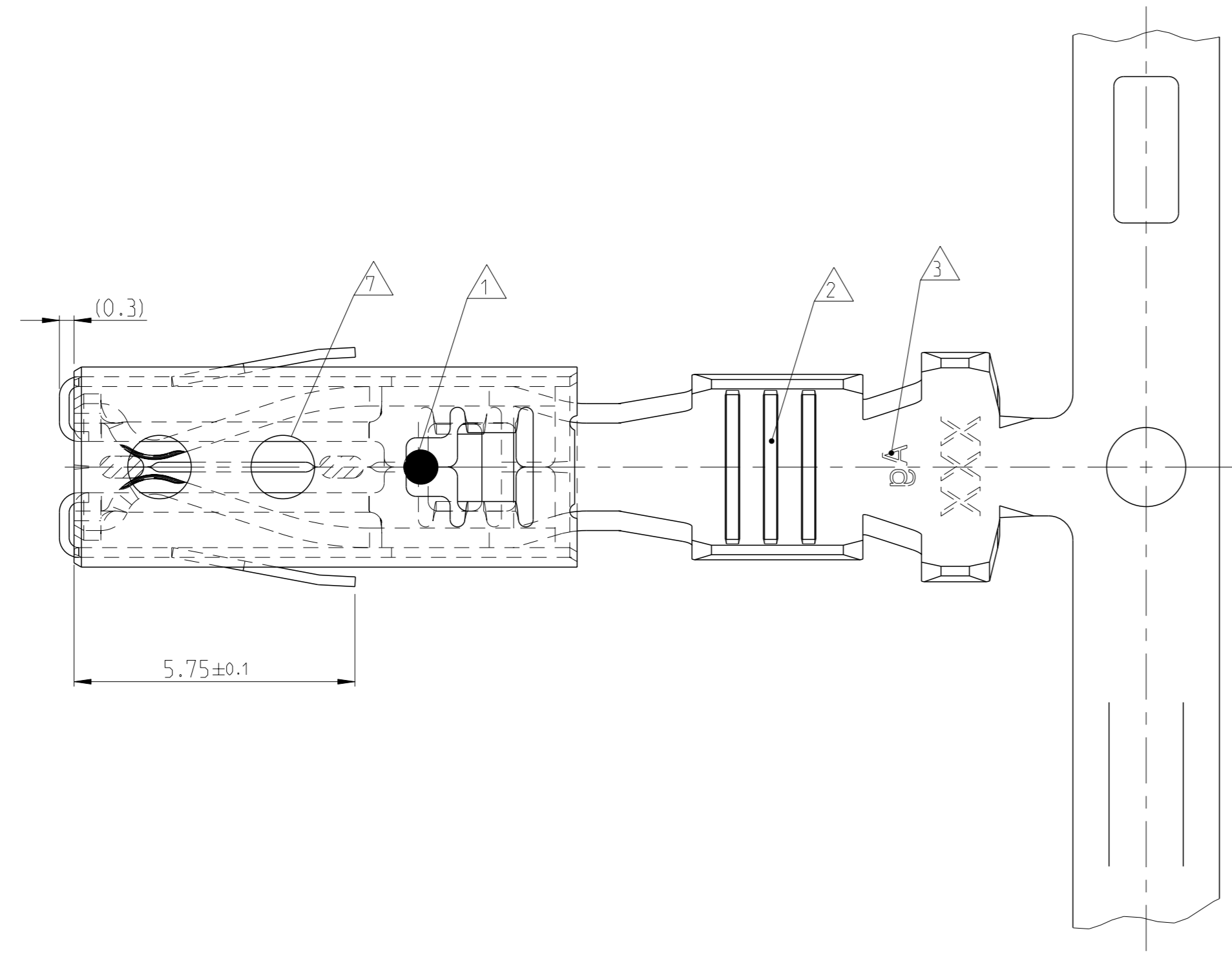
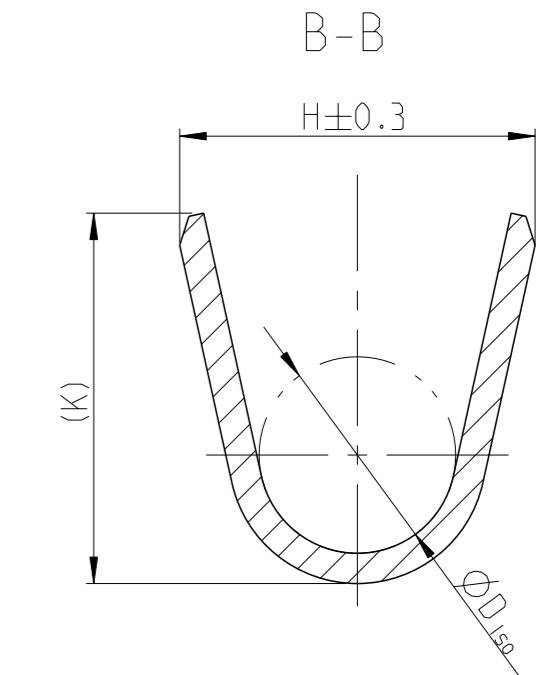
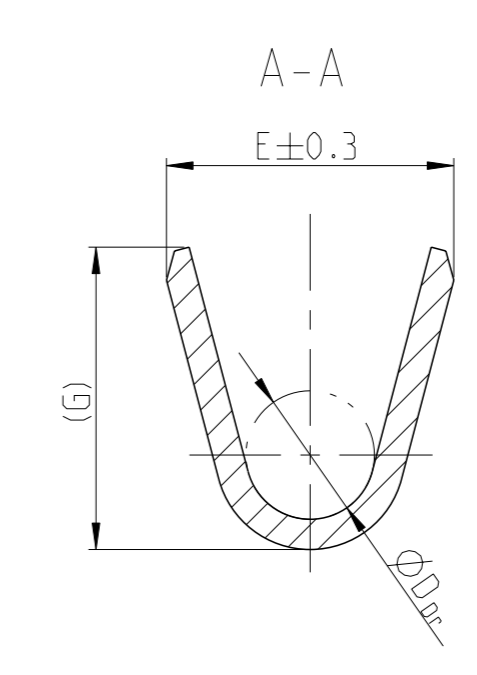
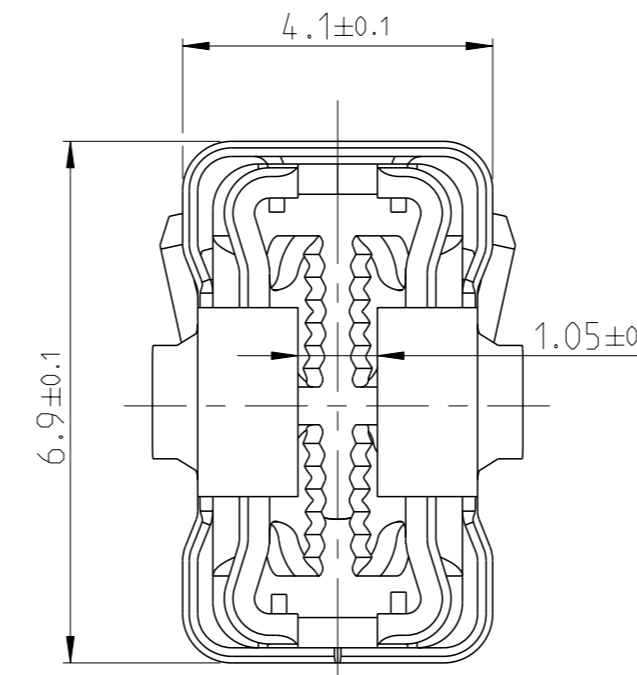
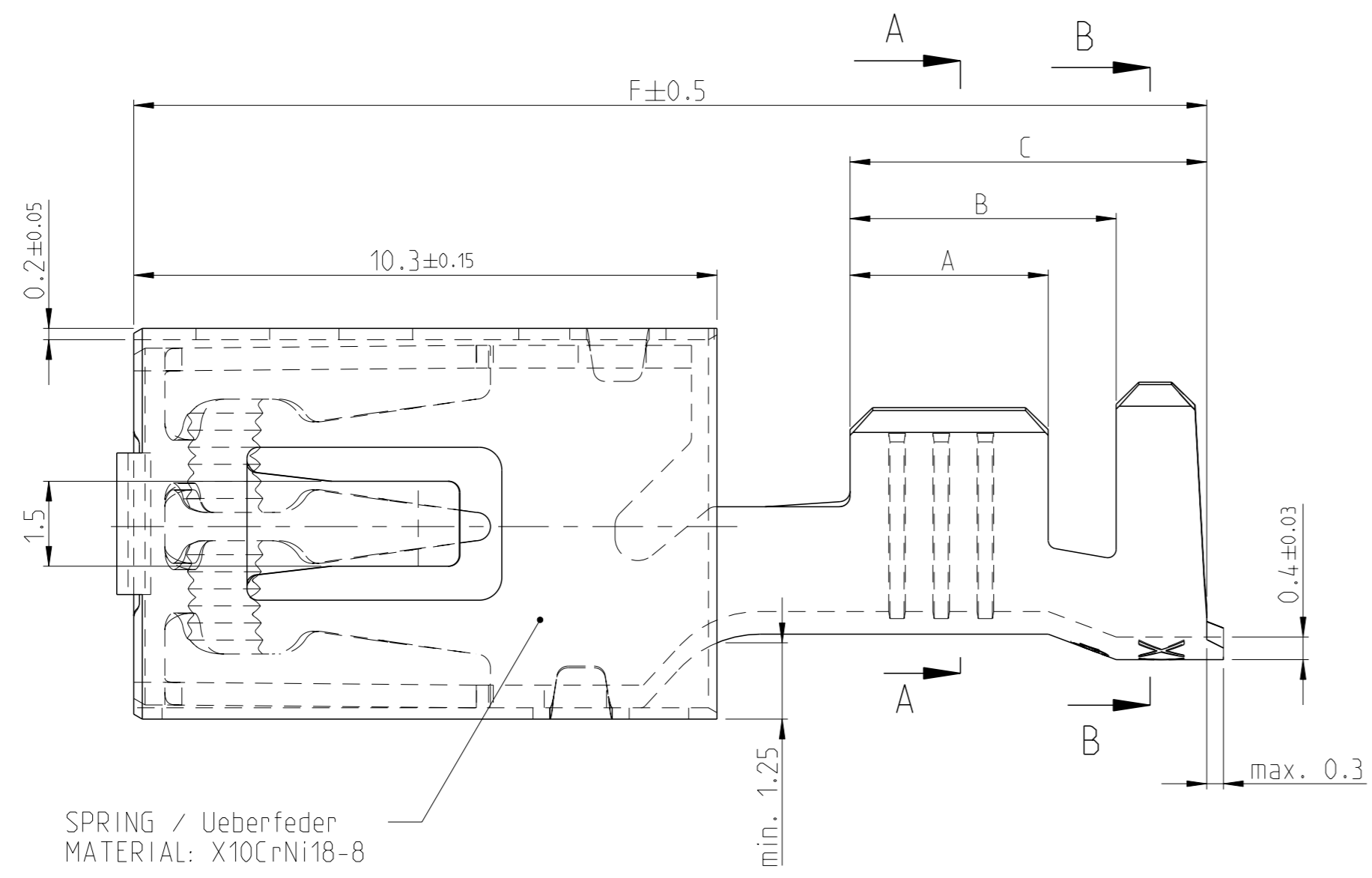


- NOTES
Bemerkungen
- 1 LASER WELDED
Lasergeschweisst
 - 2 SINGLE WIRE SEAL TO BE SELECTED ACCORDING TO INSULATION-Ø
Auswahl der Einzeldichtung entsprechend dem Isolations-Ø
 - 3 DIFFERENT FORM AND NUMBER OF THE SERRATIONS POSSIBLE
Unterschiedliche Ausfuehrung und Anzahl der Ritzen moeglich
 - 4 SILVER PLATED VERSIONS ARE MARKED WITH "Ag"
Versilberte Versionen sind mit "Ag" gekennzeichnet
 - 5 DIFFERENT ASSEMBLY CAUSED BY PRODUCTION OF THE SPRING ON THE BODY.
SPOTWELDS CAN BE ABOVE OR DOWN.
Fertigungsbedingte unterschiedliche Montage der Ueberfeder auf dem Body moeglich.
Der Stoss kann sich oben oder unten befinden.
 - 6 USED WITH TAB $0.8 \pm 0.03mm$ x $4.8 \dots 6.3 \pm 0.1mm$
Verwendet mit Flachstecker $0.8 \pm 0.03mm$ x $4.8 \dots 6.3 \pm 0.1mm$
 - 7 "Ag" MARKING ON SILVER PLATED VERSIONS FOR INCREASED LIMIT TEMPERATURE
"Ag" Markierung auf versilberten Versionen fuer erhoehte Grenztemperatur
 - 8 1241400-1 nicht fuer Neuanwendungen. wird ersetzt durch 5-1241400-1
1241410-1 nicht fuer Neuanwendungen. wird ersetzt durch 5-1241410-1
1241410-3 nicht fuer Neuanwendungen. wird ersetzt durch 5-1241410-3
1241400-1 SUPERSEDED BY PN 5-1241400-1
1241410-1 SUPERSEDED BY PN 5-1241410-1
1241410-3 SUPERSEDED BY PN 5-1241410-3

THIS DRAWING IS A CONTROLLED DOCUMENT.		OWN R. Meier	03DEC2001	TE Connectivity NAME AMP MCP6.3/4.8K FLATCONTACT AMP MCP6.3/4.8K Flachkontakt PRODUCT GROUP DRAWING
DIMENSIONS: mm		CHK R. Schaefer	03DEC2001	
TOLERANCES UNLESS OTHERWISE SPECIFIED:		APVD M. Reichert	280CT2011	SIZE CAGE CODE DRAWING NO RESTRICTED TO
1-PLC ±0.2 2-PLC ±0.2 3-PLC ±0.2 4-PLC ±0.2 ANGLES ±0.1°		PRODUCT SPEC 108-18718	APPLICATION SPEC 114-18388	SCALE 5:1
MATERIAL	FINISH	WEIGHT	Customer Drawing	SHEET 1 OF 2
A1 00779		©=1241438		REV. A17

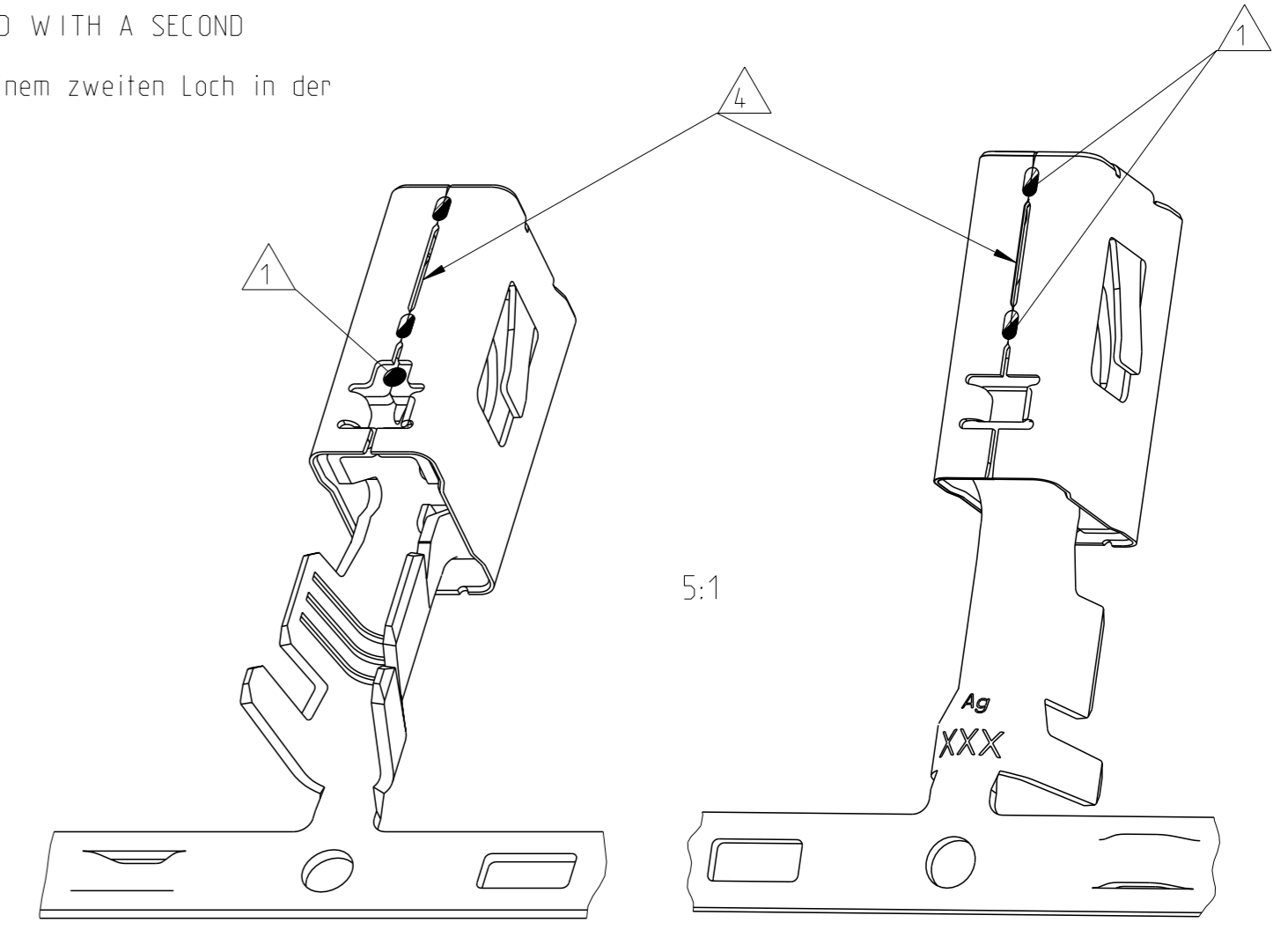
AMP MCP 6.3/4.8K FOR FUSES AMP MCP 6.3/4.8K fuer Sicherungen

LOC	DIST	REVISIONS			
A1	-	REV	DATE	OWN	APVD
		1			
		SEE SHEET 1			



NOTES
Bemerkungen

- 1 LASERWELDED
Lasergeschweisst
- 2 DIFFERENT FORM AND NUMBER OF THE SERRATIONS POSSIBLE
Unterschiedliche Ausfuehrung und Anzahl der Rillen moeglich
- 3 SILVER PLATED VERSIONS ARE MARKED WITH "Ag"
Versilberte Versionen sind mit "Ag" gekennzeichnet
- 4 DIFFERENT ASSEMBLY CAUSED BY PRODUCTION OF THE SPRING ON THE BODY.
SPOTWELDS CAN BE ABOVE OR DOWN.
Fertigungsbedingte unterschiedliche Montage der Ueberfeder auf dem Body moeglich.
Der Stoss kann sich oben oder unten befinden.
- 5 USED WITH MEDIUM FUSE 0.64±0.04mm x 5.25 ±0.15mm
(COMPLIANT WITH ATO® FUSE TECHNOLOGY)
ATO® IS A REGISTERED TRADE MARK OF LITTELFUSE INC.
Verwendet mit Medium Sicherung 0.64±0.04mm x 5.25 ±0.15mm
(kompatibel mit ATO®-fuse Technologie)
ATO® ist ein eingetragener Markenname von Littelfuse Inc.
- 6 USED WITH MaxiCompact FUSE 0.81±0.03mm x 6.3±0.2mm
MaxiCompact IS A REGISTERED TRADE MARK OF MTA
Verwendet mit MaxiCompact Fuse 0.81±0.03mm x 6.3±0.2mm
MaxiCompact ist ein eingetragener Markenname von MTA
- 7 MaxiCompact FUSE VERSIONS ARE MARKED WITH A SECOND HOLE AT THE SPRING
MaxiCompact Fuse Versionen sind mit einem zweiten Loch in der Ueberfeder gekennzeichnet.



ORDER NO. STRIP Bestell-Nr. Bandware	Rev.	WIRE RANGE Drahtgroessen Bereich (mm 2)	INSULATION- Ø Isolations- Ø (mm)	MATERIAL Werkstoff	SURFACE IN CONTACT AREA Oberflaeche im Kontaktbereich	A	B	C	F	WIRE CRIMP Drahtcrimp	INSULATION CRIMP Isolations Crimp
1-2177995-3	A	>4.0-6.0	4.0-4.3	CuNiSi	SILVER PLATED versilbert	4.5	6.0	7.8	19.95	E = 5.3 G = 5.6 D _{Dr} = 2.9	H = 6.7 K = 7.0 D _{Iso} = 3.9
1-2333552-3	A	>2.5-4.0	3.3-4.5	CuNiSi	SILVER PLATED versilbert	4.0	5.2	6.8	19.05	E = 4.6 G = 4.8 D _{Dr} = 2.4	H = 6.4 K = 6.7 D _{Iso} = 4.0
1-2208461-3	A	>1.0-2.5	2.2-3.0	CuNiSi	SILVER PLATED versilbert	3.5	4.7	6.3	19.05	E = 3.8 G = 4.0 D _{Dr} = 1.7	H = 4.7 K = 4.9 D _{Iso} = 2.6
1-2333551-3	A	0.5-1.0	1.4-2.1	CuNiSi	SILVER PLATED versilbert	3.0	4.2	5.8	19.05	E = 2.8 G = 3.0 D _{Dr} = 1.1	H = 3.8 K = 4.1 D _{Iso} = 1.8

CRIMP DIMENSION
Crimpabmessungen (mm)

THIS DRAWING IS A CONTROLLED DOCUMENT.

DIMENSIONS: mm	TOLERANCES UNLESS OTHERWISE SPECIFIED: ±0.2	OWN J. Kirschbaum CHK A. Mairhofer APVD C. Goepfel	12DEC2013 13DEC2013 13DEC2013
MATERIAL	FINISH	NAME AMP MCP6.3/4.8K FLATCONTACT AMP MCP6.3/4.8K Flachkontakt PRODUCT GROUP DRAWING	SIZE A1
Customer Drawing	SCALE 10:1	CAGE CODE DRAWING NO. 00779	RESTRICTED TO REV A17

Mouser Electronics

Authorized Distributor

Click to View Pricing, Inventory, Delivery & Lifecycle Information:

[TE Connectivity:](#)

[1-2208459-3](#)