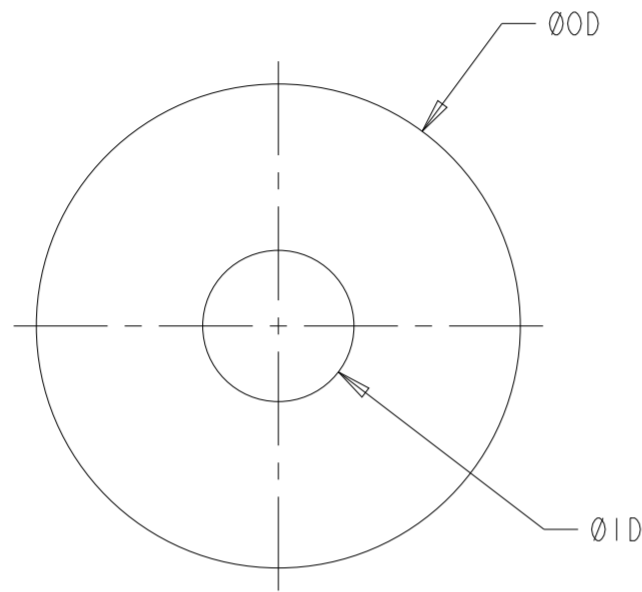


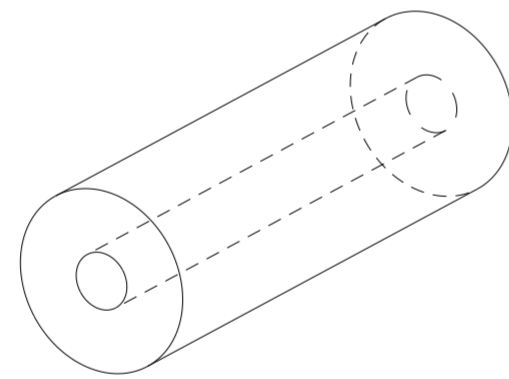
| P | LTR | DESCRIPTION | DATE | DWN | APVD |
|----|-----|-------------------------------|-----------|-----|------|
| A | | NEW DRAWING | 07MAR2023 | BDA | DH |
| A1 | | DRAWING CLARIFICATION | 21JUL2023 | BDA | DH |
| A2 | | SPECIFICATIONS NUMBER UPDATED | 28SEP2023 | BDA | DH |

GENERAL TOLERANCES:
 0 - 2mm = ±0.1mm
 2.1mm - 5mm = ±0.15mm
 5.1mm - 9mm = ±0.2mm



MATERIAL SPECIFIC DATA TABLE

| | SNA | FNA |
|--|------------|------------|
| RECOMMENDED OPERATING TEMPERATURE RANGE (°C) | -55 to 125 | -55 to 125 |
| SPECIFIC GRAVITY ± 13% | 2.000 | 2.300 |
| SHORE A HARDNESS | 70±7 | 70±7 |
| MAXIMUM VOLUME RESISTIVITY (Ω.CM) | 0.1 | 0.1 |



ISOMETRIC VIEW (NTS)

| | | | | | | | |
|------------|-----|-----|--------------------------------|-----------------------------------|-----------------------------|----------------------------------|----------------------------|
| DARK GREEN | 3.2 | 1.1 | FLUROSILICONE NICKEL ALUMINIUM | 1202-FNA-0032-0011 | 2452669-1 | 1202-FNA-0032-0011-1 | 2452682-1 |
| DARK GREEN | 2.6 | 1.1 | FLUROSILICONE NICKEL ALUMINIUM | 1202-FNA-0026-0011 | 2452668-1 | 1202-FNA-0026-0011-1 | 2452681-1 |
| DARK GREEN | 1.6 | 0.5 | FLUROSILICONE NICKEL ALUMINIUM | 1202-FNA-0016-0005 | 2452667-1 | 1202-FNA-0016-0005-1 | 2452680-1 |
| DARK GREY | 3.2 | 1.1 | SILICONE NICKEL ALUMINIUM | 1202-SNA-0032-0011 | 2452646-1 | 1202-SNA-0032-0011-1 | 2452659-1 |
| DARK GREY | 2.6 | 1.1 | SILICONE NICKEL ALUMINIUM | 1202-SNA-0026-0011 | 2452645-1 | 1202-SNA-0026-0011-1 | 2452658-1 |
| DARK GREY | 1.6 | 0.5 | SILICONE NICKEL ALUMINIUM | 1202-SNA-0016-0005 | 2452644-1 | 1202-SNA-0016-0005-1 | 2452657-1 |
| COLOUR | ØOD | ØID | MATERIAL | 10 METER LENGTH ALIAS PART NUMBER | 10 METER LENGTH PART NUMBER | 1 METER LENGTH ALIAS PART NUMBER | 1 METER LENGTH PART NUMBER |

THIS DRAWING IS A CONTROLLED DOCUMENT.

| | |
|-----------------------|---|
| DIMENSIONS: mm | TOLERANCES UNLESS OTHERWISE SPECIFIED: 0 PLC ± 1 PLC ± 2 PLC ± 3 PLC ± 4 PLC ± ANGLES ± FINISH - |
| MATERIAL SEE TABLE | |

| | | |
|------------------------------------|------------------------------------|---------------------------------|
| DWN BASAVARAJA D A 07MAR2023 | CHK B SELVAPANDIAN 07MAR2023 | APVD D HEMMINGS 07MAR2023 |
| PRODUCT SPEC 108-120068 | | |
| APPLICATION SPEC 114-120005 | | |
| WEIGHT - | | |
| CUSTOMER DRAWING | | |

| | | | |
|--|--------------------|--------------------------------|--------------------|
| TE Connectivity | | | |
| NAME 1202-NA-ECE EXTRUDED TUBE-SERIES | | | |
| SIZE A2 | CAGE CODE 00779 | DRAWING NO 1202-NA-ECE-TUBE | RESTRICTED TO - |
| SCALE 40:1 | SHEET 1 | OF 1 | REV A2 |

Mouser Electronics

Authorized Distributor

Click to View Pricing, Inventory, Delivery & Lifecycle Information:

[TE Connectivity:](#)

[2452658-1](#)