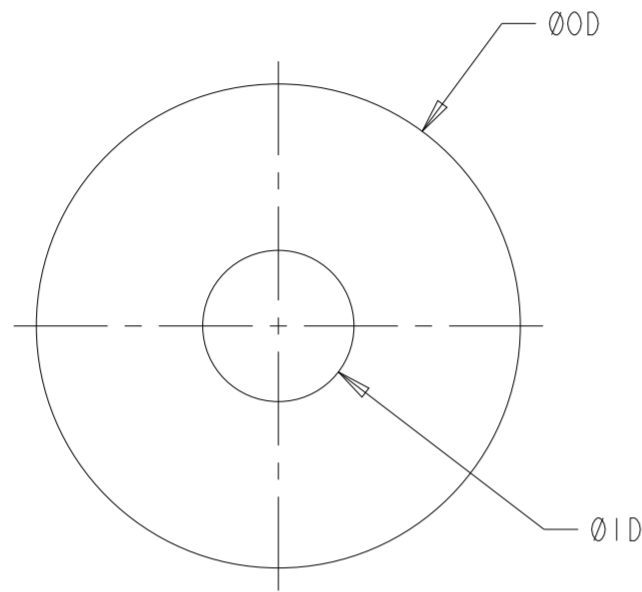


REVISIONS

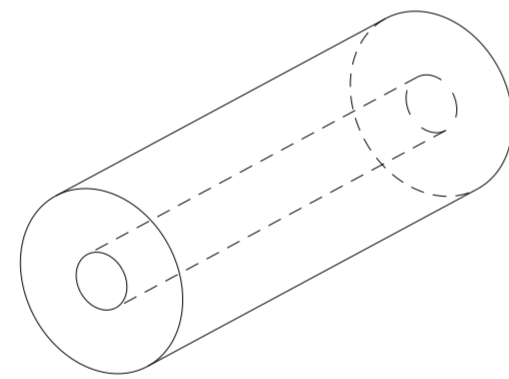
P	LTR	DESCRIPTION	DATE	DWN	APVD
A		NEW DRAWING	07MAR2023	BDA	DH
A1		DRAWING CLARIFICATION	21JUL2023	BDA	DH
A2		SPECIFICATIONS NUMBER UPDATED	28SEP2023	BDA	DH

GENERAL TOLERANCES:
 0 - 2mm = ±0.1mm
 2.1mm - 5mm = ±0.15mm
 5.1mm - 9mm = ±0.2mm



MATERIAL SPECIFIC DATA TABLE

	SNA	FNA
RECOMMENDED OPERATING TEMPERATURE RANGE (°C)	-55 to 125	-55 to 125
SPECIFIC GRAVITY ± 13%	2.000	2.300
SHORE A HARDNESS	70±7	70±7
MAXIMUM VOLUME RESISTIVITY (Ω.CM)	0.1	0.1



ISOMETRIC VIEW (NTS)

DARK GREEN	3.2	1.1	FLUROSILICONE NICKEL ALUMINIUM	1202-FNA-0032-0011	2452669-1	1202-FNA-0032-0011-1	2452682-1
DARK GREEN	2.6	1.1	FLUROSILICONE NICKEL ALUMINIUM	1202-FNA-0026-0011	2452668-1	1202-FNA-0026-0011-1	2452681-1
DARK GREEN	1.6	0.5	FLUROSILICONE NICKEL ALUMINIUM	1202-FNA-0016-0005	2452667-1	1202-FNA-0016-0005-1	2452680-1
DARK GREY	3.2	1.1	SILICONE NICKEL ALUMINIUM	1202-SNA-0032-0011	2452646-1	1202-SNA-0032-0011-1	2452659-1
DARK GREY	2.6	1.1	SILICONE NICKEL ALUMINIUM	1202-SNA-0026-0011	2452645-1	1202-SNA-0026-0011-1	2452658-1
DARK GREY	1.6	0.5	SILICONE NICKEL ALUMINIUM	1202-SNA-0016-0005	2452644-1	1202-SNA-0016-0005-1	2452657-1
COLOUR	ØOD	ØID	MATERIAL	10 METER LENGTH ALIAS PART NUMBER	10 METER LENGTH PART NUMBER	1 METER LENGTH ALIAS PART NUMBER	1 METER LENGTH PART NUMBER

THIS DRAWING IS A CONTROLLED DOCUMENT.

DIMENSIONS: mm	TOLERANCES UNLESS OTHERWISE SPECIFIED: 0 PLC ± 1 PLC ± 2 PLC ± 3 PLC ± 4 PLC ± ANGLES ± FINISH -
MATERIAL SEE TABLE	

DWN BASAVARAJA D A 07MAR2023	CHK B SELVAPANDIAN 07MAR2023	APVD D HEMMINGS 07MAR2023
PRODUCT SPEC 108-120068		
APPLICATION SPEC 114-120005		
WEIGHT -		
CUSTOMER DRAWING		

TE Connectivity			
NAME 1202-NA-ECE EXTRUDED TUBE-SERIES			
SIZE A2	CAGE CODE 00779	DRAWING NO 1202-NA-ECE-TUBE	RESTRICTED TO -
SCALE 40:1	SHEET 1	OF 1	REV A2

Mouser Electronics

Authorized Distributor

Click to View Pricing, Inventory, Delivery & Lifecycle Information:

[TE Connectivity:](#)

[2452682-1](#)