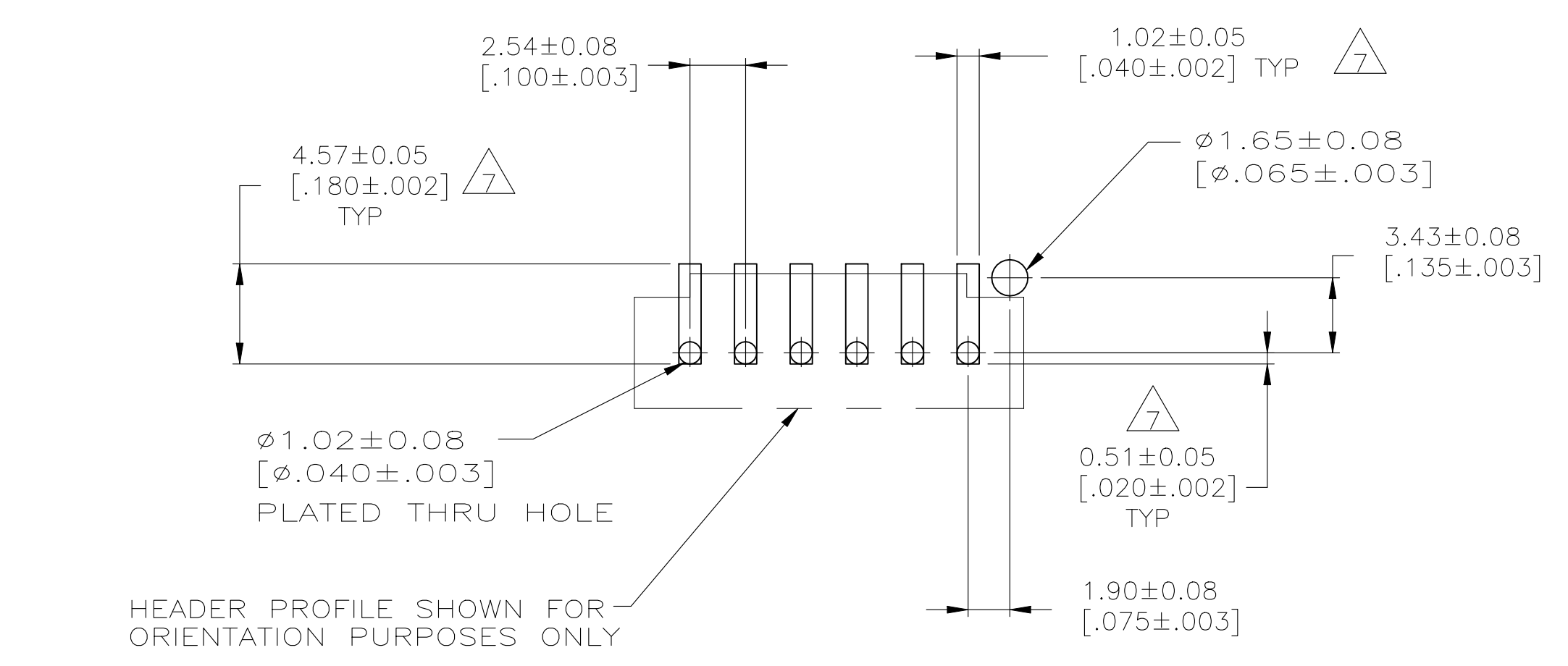
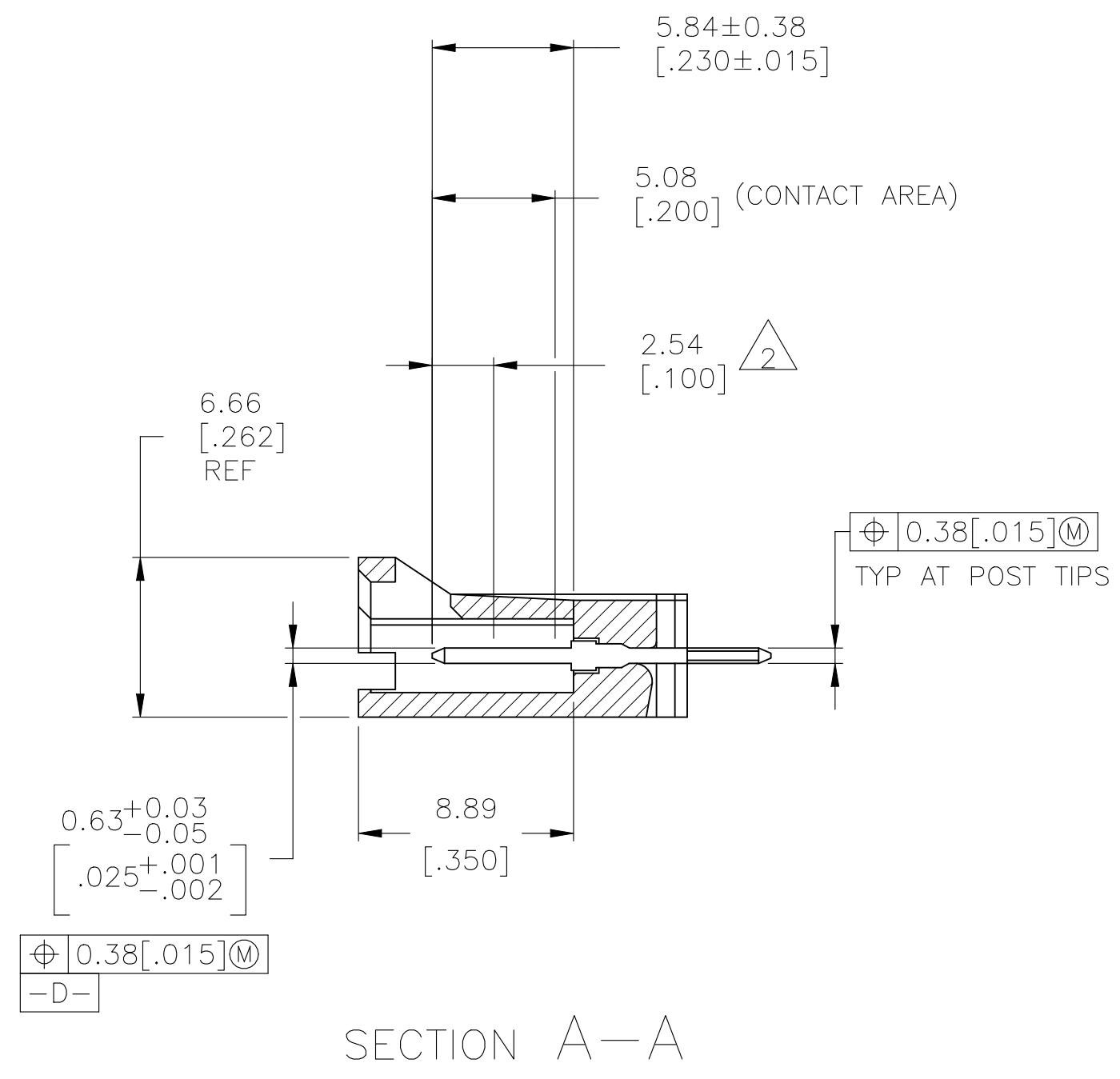
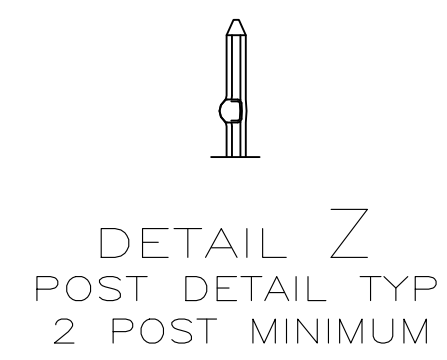
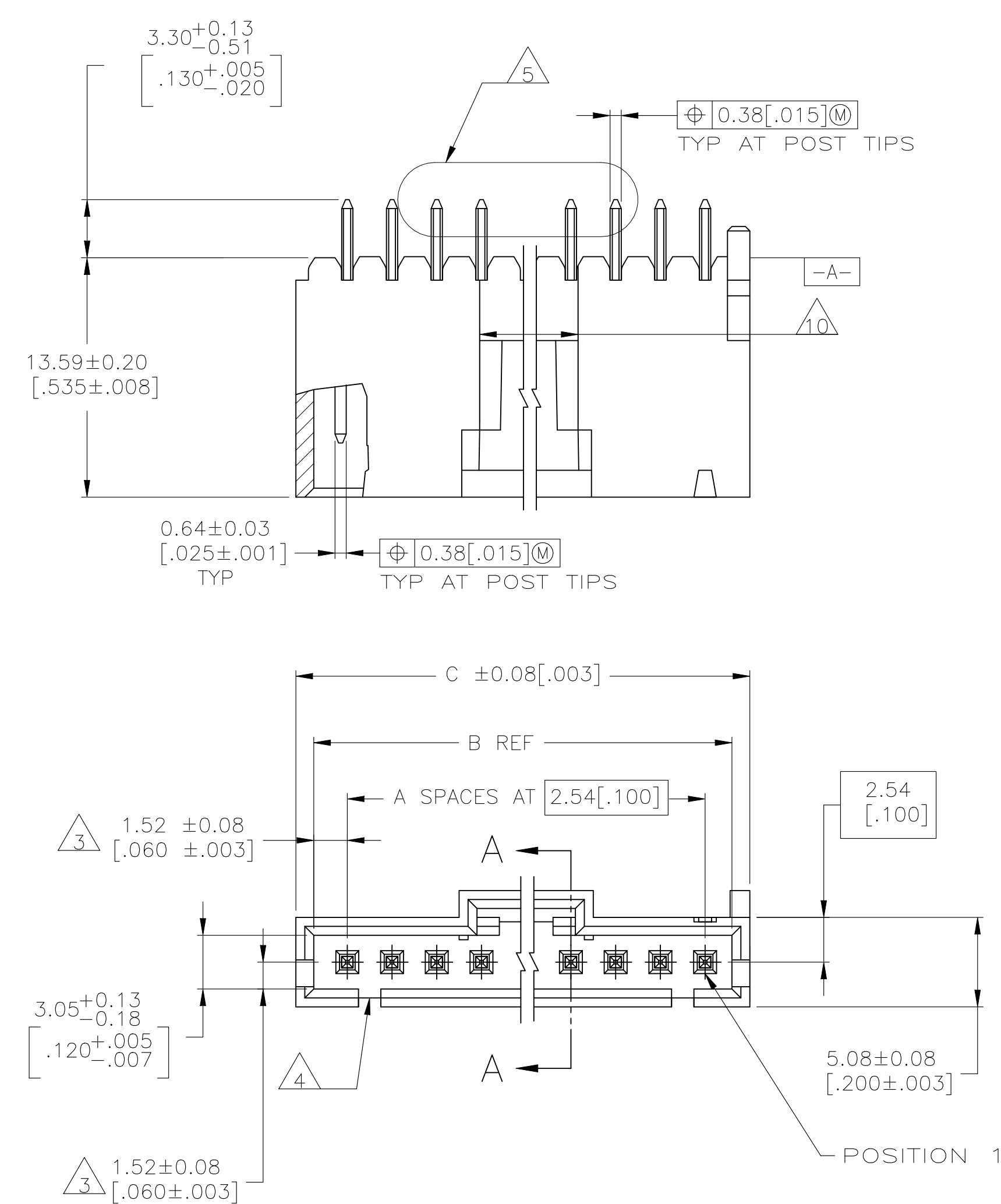


REVISIONS					
REV	DESCRIPTION	DATE	BY	APPD	
P1	REVISED PER ECN-23-220565	07JUL2023	RK	MF	



RECOMMENDED PC BOARD MOUNTING DIMENSIONS
RECOMMENDED STENCIL THICKNESS = 0.25[.010]

- 1 FINISH: .00038[.000015] GOLD IN THE CONTACT AREA, .00254[.000100] MATTE TIN-LEAD ON REMAINDER OF CONTACT, ALL OVER .00127[.000050] NICKEL.
- 2 POINT OF MEASUREMENT FOR PLATING THICKNESS.
- 3 THE NOTED DIMENSIONS APPLY FROM THE BASIC DIMENSION CENTER LINE (NOT THE POST CENTER LINE) TO THE SURFACE INDICATED.
- 4 ONE POLARIZATION SLOT FOR 2 AND 3 POSITION ASSEMBLIES ONLY.
- 5 SELECT POST TAILS FORMED TO PROVIDE CONNECTOR HOLD DOWN UNTIL SOLDERED, CONFIGURATION ACCEPTS 0.69[.027]-2.03[.080] THICK PRINTED CIRCUIT BOARD. (SEE DETAIL Z).
- 6 PARTS ARE PACKAGED IN GANG OF TUBES.
- 7 DIMENSIONS NOTED ARE FOR SOLDER STENCIL LAYOUT FOR USE WITH 1.58±0.20[.062±.008] THICK PRINTED CIRCUIT BOARDS.
- 8 MATERIAL- HOUSING: LCP, COLOR-BLACK. POSTS: BRASS.
- 9 FINISH: .00038[.000015] GOLD IN THE CONTACT AREA, .00254[.000100] MATTE TIN ON REMAINDER OF CONTACT, ALL OVER .00127[.000050] NICKEL.
- 10 0.25 [.010] RECESS PERMISSIBLE IN THIS AREA FOR MOLD SHUT OFF

REV	DESCRIPTION	DATE	BY	APPD	PART NO.	
9		32.89 [1.295]	30.99 [1.220]	1 1	6-104809-1	
9		30.35 [1.195]	28.45 [1.120]	10 1 1	6-104809-0	
9		27.81 [1.095]	25.91 [1.020]	9 10	5-104809-9	
9		25.27 [.995]	23.37 [.920]	8 9	5-104809-8	
9		22.73 [.895]	20.83 [.820]	7 8	5-104809-7	
9		20.19 [.795]	18.29 [.720]	6 7	5-104809-6	
9		17.65 [.695]	15.75 [.620]	5 6	5-104809-5	
9		15.11 [.595]	13.21 [.520]	4 5	5-104809-4	
9		12.57 [.495]	10.67 [.420]	3 4	5-104809-3	
9		10.03 [.395]	8.13 [.320]	2 3	5-104809-2	
9		7.49 [.295]	5.59 [.220]	1 2	5-104809-1	
1		32.89 [1.295]	30.99 [1.220]	1 1	1-104809-1	
1		30.35 [1.195]	28.45 [1.120]	10 1 1	1-104809-0	
1		27.81 [1.095]	25.91 [1.020]	9 10	104809-9	
1		25.27 [.995]	23.37 [.920]	8 9	104809-8	
1		22.73 [.895]	20.83 [.820]	7 8	104809-7	
1		20.19 [.795]	18.29 [.720]	6 7	104809-6	
1		17.65 [.695]	15.75 [.620]	5 6	104809-5	
1		15.11 [.595]	13.21 [.520]	4 5	104809-4	
1		12.57 [.495]	10.67 [.420]	3 4	104809-3	
1		10.03 [.395]	8.13 [.320]	2 3	104809-2	
1		7.49 [.295]	5.59 [.220]	1 2	104809-1	
PLATING		C	B	A	NO. OF POSN	PART NO.

THIS DRAWING IS A CONTROLLED DOCUMENT.

DIN R BROWN 09FEB01
CHK K WRIGHT 09FEB01

TE Connectivity

PLZD HDR ASSY, AMPMODU MTE, VERTICAL SINGLE ROW, 2.54[.100] CL, 0.64[.025] SQ POSTS, WITH LATCHING & HOLD DOWN

SIZE: A1 CAGE CODE: 00779 DRAWING NO: 104809

WEIGHT: 0.000000

CUSTOMER DRAWING SCALE: 4:1 SHEET: 1 OF 1 REV: P1

Mouser Electronics

Authorized Distributor

Click to View Pricing, Inventory, Delivery & Lifecycle Information:

[TE Connectivity:](#)

[104809-5](#)