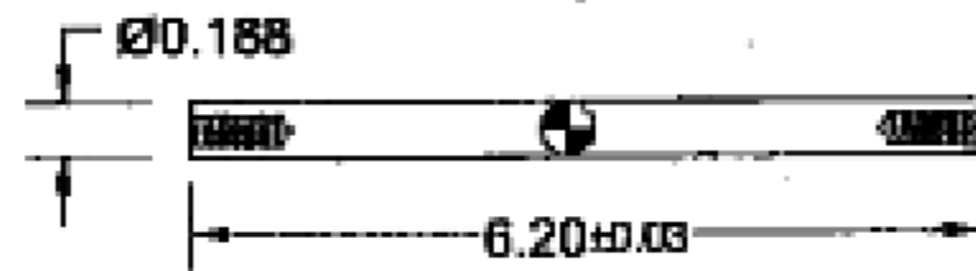
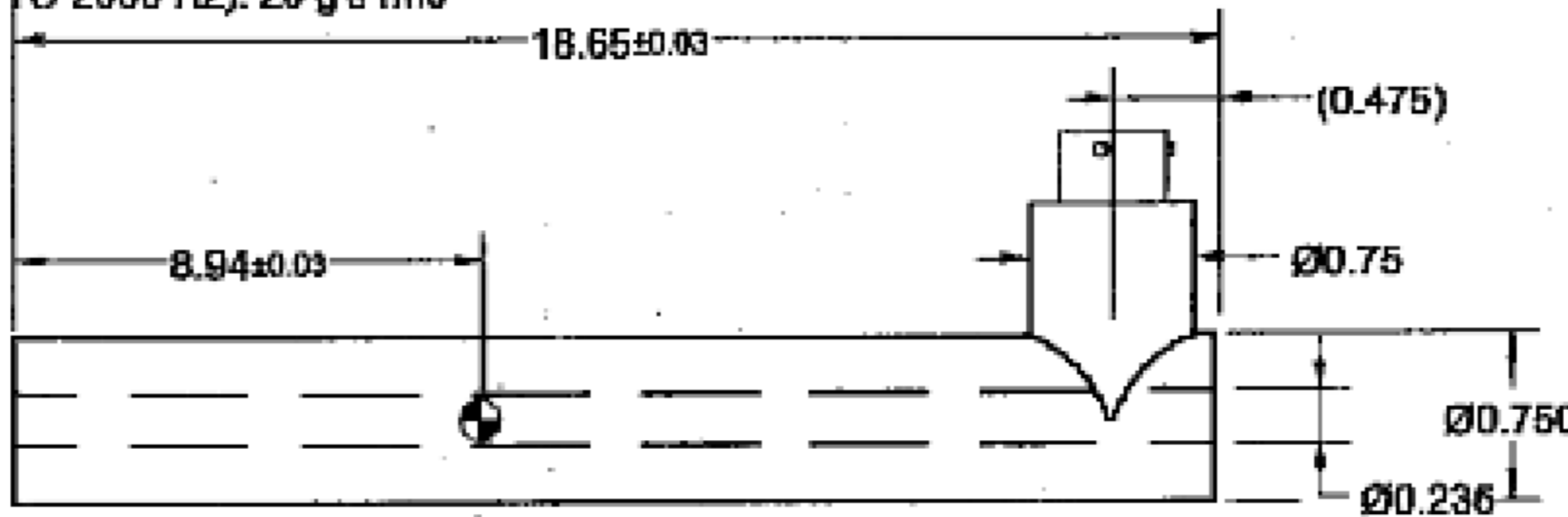


P	LTR	DESCRIPTION	DATE	DWN	APVD
	A				

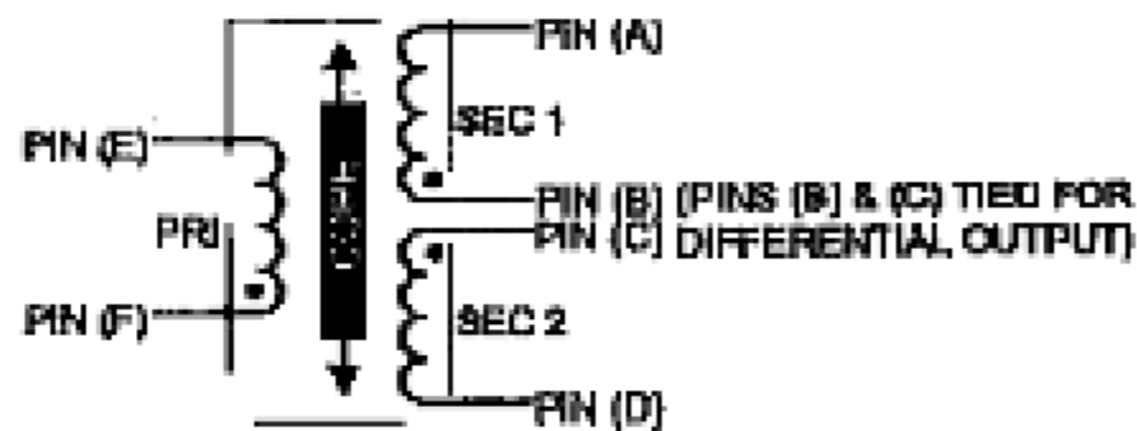
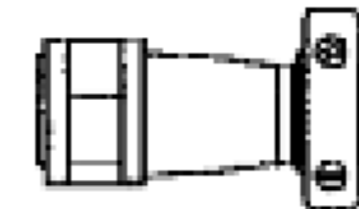
SPECIFICATIONS

INPUT VOLTAGE: 3.0 V rms (NOM)
 INPUT FREQUENCY: 2.5 KHz (NOM)
 ELECTRICAL STROKE: +/- 5.00 INCHES
 SENSITIVITY: .11 mV/VOLT/.001 INCH
 NON-LINEARITY: ± 0.25 % OF FULL RANGE (MAX)
 PHASE SHIFT: 0°
 IMPEDANCE:
 PRIMARY: 600 OHMS (NOM)
 SECONDARY: 550 OHMS (NOM)
 OPERATING TEMPERATURE: -20° TO 300° F
 SHOCK SURVIVAL: 1000 g's, 11ms
 VIBRATION (20 TO 2000 Hz): 20 g's rms

REVISIONS			
REV.	DESCRIPTION	DATE	APPR.
A	REMOVED PER EMISSION UNIT	11/20/11	REA



4-40 UNC, 2B
 .38 Dp MIN.
 BOTH ENDS MATING CONNECTOR SUPPLIED



WIRING DIAGRAM

⊙ DENOTES CENTER OF CORE AT ELECTRICAL MID POINT

<small>UNLESS OTHERWISE SPECIFIED ALL DIMENSIONS ARE IN INCHES TOLERANCES ARE AS FOLLOWS FRACTIONS DECIMALS ±.010 ±.005 ±.002 ±.001</small>	DRAWN BY: L.H.P. CHECKED: [] APPROVED: [] DATE: 21 JUL 11	Macro Sensors Div. of Howard A. Schwab Technologies, Inc.
	TITLE: HSAR 750 5000 OUTLINE	CAGE NO. 08VWQ DRAWING NO. 010915080000
	APPROVED: [] DATE: []	APPROVED: [] DATE: []
	APPROVED: [] DATE: []	APPROVED: [] DATE: []

THIS DRAWING IS A CONTROLLED DOCUMENT.		DWN	-		NAME		HSAR 750 5000 OUTLINE		
DIMENSIONS:	TOLERANCES UNLESS OTHERWISE SPECIFIED:	CHK	-		PRODUCT SPEC	-			
INCHES	0 PLC ± - 1 PLC ± - 2 PLC ± - 3 PLC ± - 4 PLC ± - ANGLES ± - FINISH -	APVD	-	APPLICATION SPEC	-				
MATERIAL		WEIGHT	A2	SCALE	NTS	SHEET	1 of 1	REV	A
CUSTOMER DRAWING				CAGE CODE	00779	DRAWING NO.	010915080000		

Mouser Electronics

Authorized Distributor

Click to View Pricing, Inventory, Delivery & Lifecycle Information:

[TE Connectivity:](#)

[010315080000-M](#)