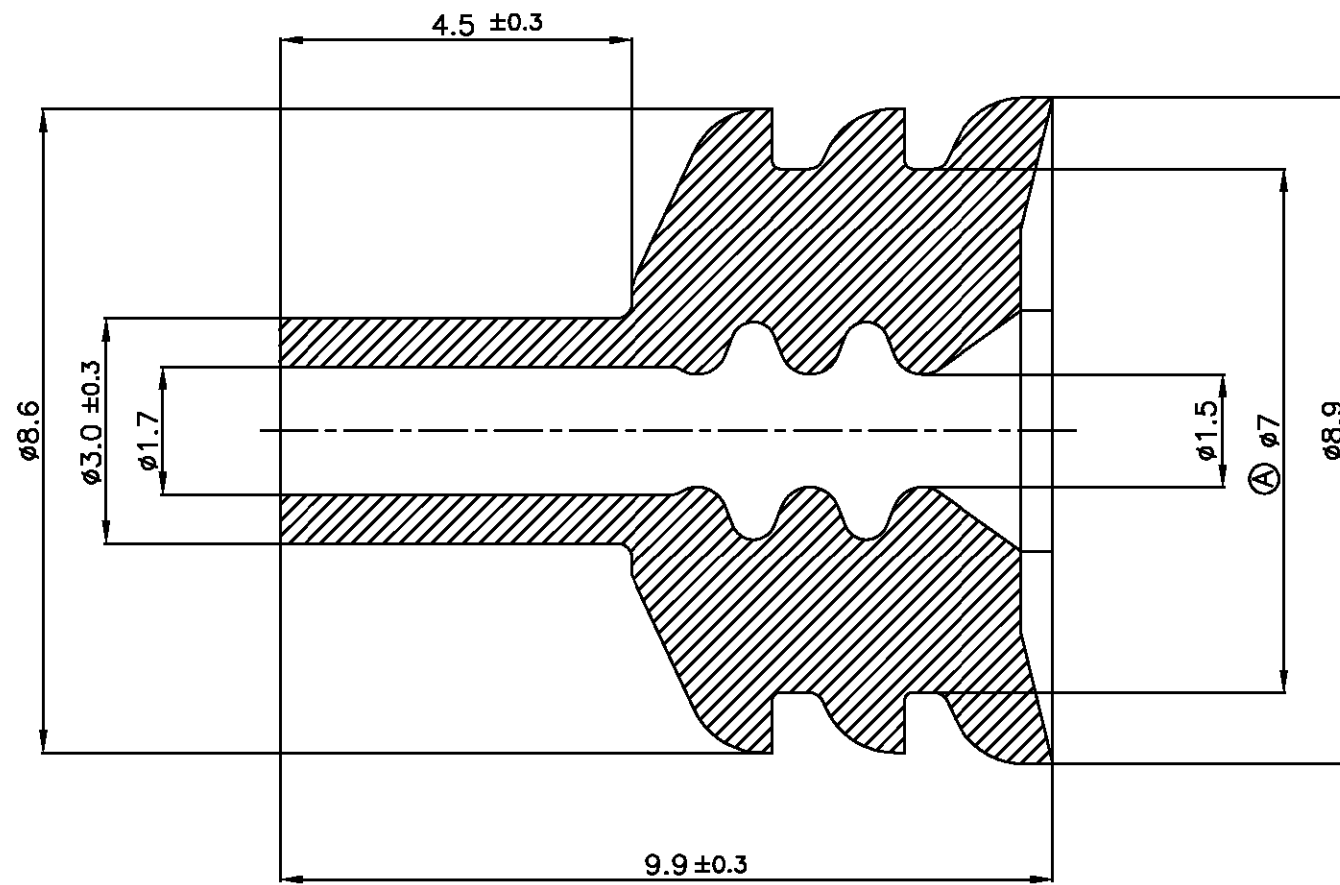
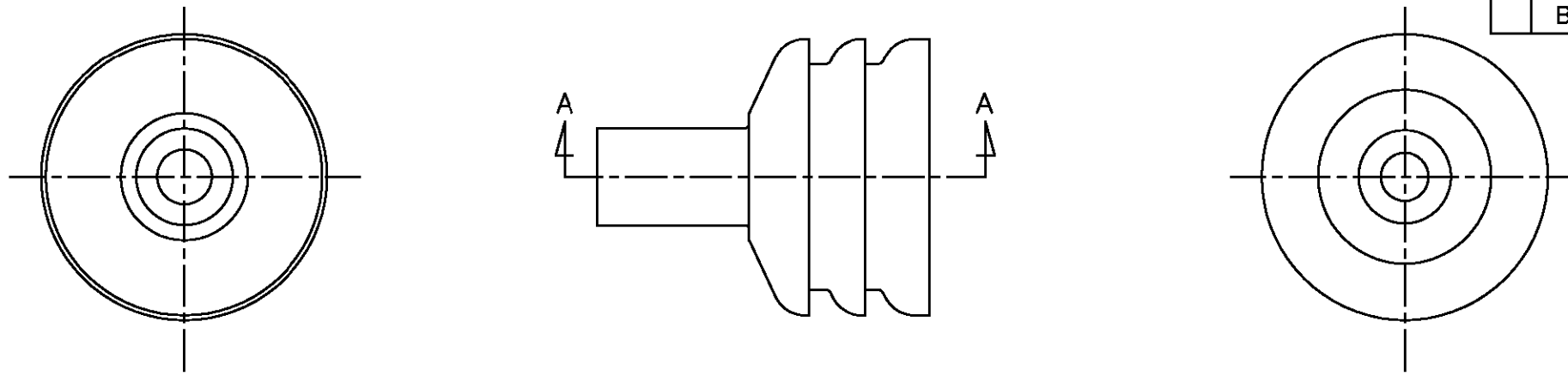


P	LTR	DESCRIPTION	DATE	DWN	APVD
	0	RELEASED(RD96-394)	18/DEC '96	YD	JK
	A	REVISED(FC00-0100-00)	28/JULY '00	YD	CS
	B	REVISED(FC00-0129-02)	17/OCT '02	YD	CS



SECTION A-A

NOTE :

- | PART NO | COLOR |
|----------|-------|
| 368811-1 | GRAY |
- HARDNESS : 50⁺ ± 5⁻ [ⓑ]
- INSULATION DIA : φ 1.8 - 2.1 mm

THIS DRAWING IS A CONTROLLED DOCUMENT FOR AMP INCORPORATED. IT IS SUBJECT TO CHANGE AND THE CONTROLLING ENGINEERING ORGANIZATION SHOULD BE CONTACTED FOR THE LATEST REVISION.

DIMENSIONS: MM		TOLERANCES UNLESS OTHERWISE SPECIFIED:		DWN		AMP KOREA, kyungsan, korea	
3rd ANGLE PROJECTION		0<XX<10 ± 0.2 10<XX<30 ± 0.25 30<XX<100 ± 0.3 ANGLES ± 3°		CHK		NAME	
MATERIAL: NBR		FINISH		APVD		250 WIRE SEAL PLUG (AVSS 0.85-1.25 mm ²)	
				PRODUCT SPEC		SIZE: A3	
				APPLICATION SPEC		CAGE CODE: 00779	
				WEIGHT		DRAWING NO: 368811	
						SCALE: 5/1	
						SHEET 1 OF 1	
						REV B	

Mouser Electronics

Authorized Distributor

Click to View Pricing, Inventory, Delivery & Lifecycle Information:

[TE Connectivity:](#)

[368811-1](#)