



CII

TE Part # 1-1617029-3
 TE Internal #: HFW1130K06P
 Mil-Spec: [M39016/6-104P]
[View on TE.com >](#)

Relays, Contactors & Switches > Relays > Mil-Aero Relays > Half-Size Relays



Contact Arrangement: **2 Form C, DPDT, 2 C/O**
 Input Voltage: **26.5 VDC**
 Contact Current Rating: **2 A**
 Coil Voltage Rating: **26.5 VDC**
 Coil Resistance: **700 Ω**

Features

Product Type Features

Enclosure Type	Hermetically Sealed
Relay Type	Military/Aerospace High Performance
Coil Latching	Without
Product Type	Relay
MOSFET Driver	Without

Configuration Features

Transistor Driver	Without
-------------------	---------

Electrical Characteristics

Coil Magnetic System	Non-Polarized, Monostable
Actuating System	DC
Vibration	30G's, 10 – 3000Hz
Shock	100G's, 6ms
Coil Suppression Diode	Without
Coil Power Measurement	Milliwatts
Coil Polarity Protection Diode	Without
Input Voltage	26.5 VDC
Coil Voltage Rating	26.5 VDC
Coil Resistance	700 Ω
Coil Power Rating (DC)	1003 mW



Contact Features

Contact Arrangement	2 Form C, DPDT, 2 C/O
Contact Current Rating	2 A

Termination Features

Termination Type	Solder Hook Terminals
------------------	-----------------------

Mechanical Attachment

Mounting Type	Chassis Mount
---------------	---------------

Usage Conditions

Operating Temperature Range	-65 – 125 °C
-----------------------------	--------------

Product Compliance

[For compliance documentation, visit the product page on TE.com>](#)

EU RoHS Directive 2011/65/EU	Not Compliant
EU ELV Directive 2000/53/EC	Not Compliant
China RoHS 2 Directive MIIT Order No 32, 2016	No Restricted Materials Above Threshold
EU REACH Regulation (EC) No. 1907/2006	Current ECHA Candidate List: JAN 2019 (197) Candidate List Declared Against: JAN 2019 (197)
Halogen Content	Low Halogen - Br, Cl, F, I < 900 ppm per homogenous material. Also BFR/CFR/PVC Free
Solder Process Capability	Not lead free process capable

Product Compliance Disclaimer

This information is provided based on reasonable inquiry of our suppliers and represents our current actual knowledge based on the information they provided. This information is subject to change. The part numbers that TE has identified as EU RoHS compliant have a maximum concentration of 0.1% by weight in homogenous materials for lead, hexavalent chromium, mercury, PBB, PBDE, DBP, BBP, DEHP, DIBP, and 0.01% for cadmium, or qualify for an exemption to these limits as defined in the Annexes of Directive 2011/65/EU (RoHS2). Finished electrical and electronic equipment products will be CE marked as required by Directive 2011/65/EU. Components may not be CE marked. Additionally, the part numbers that TE has identified as EU ELV compliant have a maximum concentration of 0.1% by weight in homogenous materials for lead, hexavalent chromium, and mercury, and 0.01% for cadmium, or qualify for an exemption to these limits as defined in the Annexes of Directive 2000/53/EC (ELV). Regarding the REACH Regulations, TE's information on SVHC in articles for this part number is still based on the European Chemical Agency (ECHA) 'Guidance on requirements for substances in articles' (Version: 2, April 2011), applying the 0.1% weight on weight concentration threshold at the finished product level. TE is aware of the European Court of Justice ruling of September 10th, 2015 also known as O5A (Once An Article Always An Article) stating that, in case of 'complex object', the threshold for a SVHC must be applied to both the product as a whole and simultaneously to each of the articles forming part of its composition. TE has evaluated this ruling based on the new ECHA "Guidance on requirements for substances in articles" (June 2017, version 4.0) and will be updating its statements accordingly.

Compatible Parts

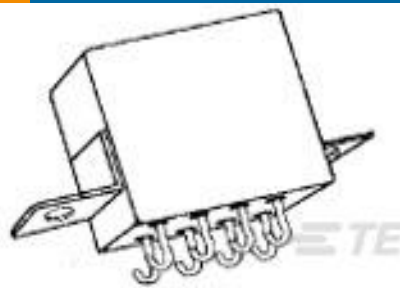


TE Part # 3-1617146-0
JMGACDD-26MW =
M39016/19-042M


Customers Also Bought



TE Part #3-1617073-4
3SBC2091A2 = M39016/37-021P



TE Part #3-1617758-2
FCB-205-0123M=M83536
/1-023M



TE Part #1617754-2
FCA-410-1521M=M83536
/15-021M



TE Part #1-1617029-1
HFW1130K06 = M39016/6-104L



TE Part #3-1617033-2
HFW1230K07M = M39016
/6-205M



TE Part #1617150-4
JMGSCD-12PW = M39016
/42-051P



TE Part #2-1617150-3
JMGSCDD-26MW =
M39016/43-054M



TE Part #1617084-6
SR-7608 = M39016/40-008



TE Part #1617167-3
JMSCDD-18XP = M39016
/21-037P

TE Part #YDTS20W25-20SNV001
RECP ASSY

Documents

Datasheets & Catalog Pages

[5-1773450-5_sec1_HFW](#)

English

Mouser Electronics

Authorized Distributor

Click to View Pricing, Inventory, Delivery & Lifecycle Information:

[TE Connectivity:](#)

[M39016/6-104P](#)