

C8D30PF29043=Cardedge Connecto ✓ ACTIVE

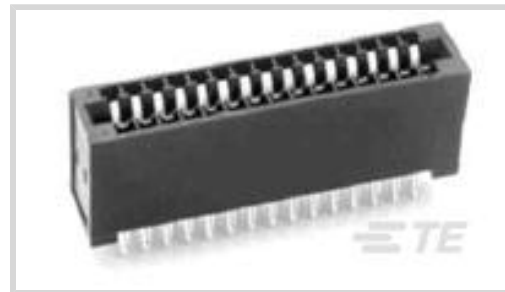
TE Part # 6-1437260-1

TE Internal #: C8D30PF29043

[View on TE.com >](#)



Connectors > PCB Connectors > Card Edge Connectors > Standard Edge Connectors



Connector System: **Board-to-Board, Wire-to-Board**

Number of Positions: **30**

Centerline (Pitch): **2.54 mm [.1 in]**

Number of Dual Positions: **30**

Locking Clip Location: **None**

Features

Product Type Features

Connector System	Board-to-Board, Wire-to-Board
Connector Style	Receptacle
Row-to-Row Spacing	5.08 mm[.2 in]
Connector & Contact Terminates To	Printed Circuit Board

Configuration Features

Number of Positions	30
Number of Dual Positions	30
Number of Rows	2
Connector Contact Load Condition	Fully Loaded
PCB Mount Orientation	Vertical
Board-to-Board Configuration	Parallel

Electrical Characteristics

Operating Voltage	600 VDC
-------------------	---------

Contact Features

PCB Contact Termination Area Plating Material Thickness	2.54 μm [100 μin]
PCB Contact Termination Area Plating Material Finish	Bright
Contact Type	Socket
Contact Mating Area Plating Material Thickness	.76 μm
Contact Mating Area Plating Material	Gold
PCB Contact Termination Area Plating Material	Tin-Lead

Contact Base Material	High Strength Copper Alloy
-----------------------	----------------------------

Contact Current Rating (Max)	3 A
------------------------------	-----

Termination Features

Termination Post & Tail Length	4.57 mm[.18 in]
--------------------------------	-----------------

Termination Method to Printed Circuit Board	Through Hole - Press-Fit
---	--------------------------

Mechanical Attachment

Mating Alignment	Without
------------------	---------

Mating Retention	Without
------------------	---------

Contact Retention	Without
-------------------	---------

PCB Mount Alignment	Without
---------------------	---------

PCB Mount Retention	With
---------------------	------

PCB Mount Retention Type	Action/Compliant Tail
--------------------------	-----------------------

Locking Clip Location	None
-----------------------	------

Connector Mounting Type	Board Mount
-------------------------	-------------

Housing Features

Centerline (Pitch)	2.54 mm[.1 in]
--------------------	----------------

Housing Color	Black
---------------	-------

Housing Material	Thermoplastic
------------------	---------------

Dimensions

Height	13.97 mm, 15.494 mm[.55 in][.61 in]
--------	-------------------------------------

Daughter Board Thickness	1.37 – 1.78 mm[.054 – .07 in]
--------------------------	-------------------------------

Card Slot Depth	10.54 mm[.415 in]
-----------------	-------------------

Usage Conditions

Operating Temperature Range	-55 – 125 °C[-67 – 257 °F]
-----------------------------	----------------------------

Operation/Application

Solder Process Feature	Board Standoff
------------------------	----------------

Circuit Application	Signal
---------------------	--------

Industry Standards

UL Flammability Rating	UL 94V-0
------------------------	----------

Packaging Features

Packaging Method	Package
------------------	---------

Packaging Quantity	30
--------------------	----

Product Compliance

[For compliance documentation, visit the product page on TE.com>](#)

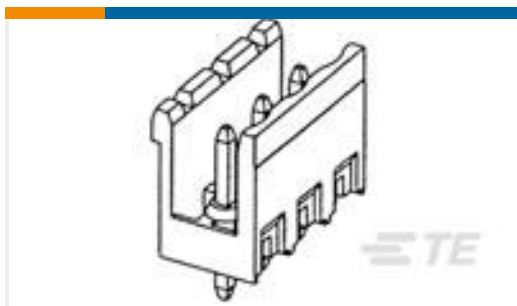
EU RoHS Directive 2011/65/EU	Not Compliant
EU ELV Directive 2000/53/EC	Not Compliant
China RoHS 2 Directive MIIT Order No 32, 2016	Restricted Materials Above Threshold
EU REACH Regulation (EC) No. 1907/2006	Current ECHA Candidate List: JAN 2019 (197) Candidate List Declared Against: DEC 2010 (44)
Halogen Content	Not Yet Reviewed for halogen content
Solder Process Capability	Not applicable for solder process capability

Product Compliance Disclaimer

This information is provided based on reasonable inquiry of our suppliers and represents our current actual knowledge based on the information they provided. This information is subject to change. The part numbers that TE has identified as EU RoHS compliant have a maximum concentration of 0.1% by weight in homogenous materials for lead, hexavalent chromium, mercury, PBB, PBDE, DBP, BBP, DEHP, DIBP, and 0.01% for cadmium, or qualify for an exemption to these limits as defined in the Annexes of Directive 2011/65/EU (RoHS2). Finished electrical and electronic equipment products will be CE marked as required by Directive 2011/65/EU. Components may not be CE marked. Additionally, the part numbers that TE has identified as EU ELV compliant have a maximum concentration of 0.1% by weight in homogenous materials for lead, hexavalent chromium, and mercury, and 0.01% for cadmium, or qualify for an exemption to these limits as defined in the Annexes of Directive 2000/53/EC (ELV). Regarding the REACH Regulations, TE's information on SVHC in articles for this part number is still based on the European Chemical Agency (ECHA) 'Guidance on requirements for substances in articles' (Version: 2, April 2011), applying the 0.1% weight on weight concentration threshold at the finished product level. TE is aware of the European Court of Justice ruling of September 10th, 2015 also known as O5A (Once An Article Always An Article) stating that, in case of 'complex object', the threshold for a SVHC must be applied to both the product as a whole and simultaneously to each of the articles forming part of its composition. TE has evaluated this ruling based on the new ECHA "Guidance on requirements for substances in articles" (June 2017, version 4.0) and will be updating its statements accordingly.

Customers Also Bought

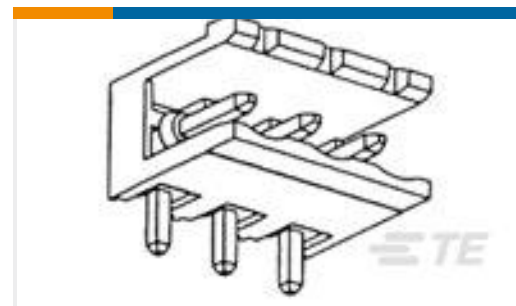
 <p>TE Part #796980-4 4 POS TERMI-BLOK VERT HDR 7.62</p>	 <p>TE Part #102394-7 18 AMP MODU MT HSG DR .100CL</p>	 <p>TE Part #1571217-3 TACT,SMT,12X12,SEALED, T&R</p>	 <p>TE Part #1571218-6 TACT,SMT,12X12,SEALD, 260GR,T&R</p>
---	---	--	---



TE Part #282824-4
TERMI-BLOK HEADER,
ASSY90 4P.5



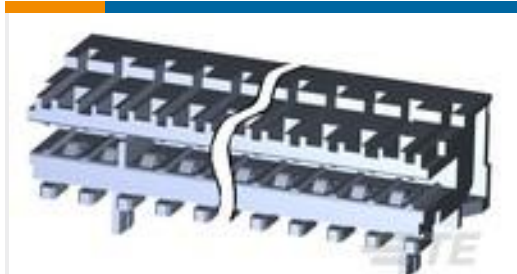
TE Part #1-1355181-6
DUOPLUG2,5GEH 6P 8X



TE Part #282815-5
TERMI-BLOK HEADER,
ASSY90 5P.5



TE Part #3-284932-6
DUOPLUG MKI STD,6
POS, KEYED 4



TE Part #4-1534796-6
AMP DUOPLUG MARK II
CONNECTOR 3-20POS

Documents

CAD Files

[3D PDF](#)

[3D](#)

[Customer View Model](#)

[ENG_CVM_CVM_6-1437260-1_A_c-6-1437260-1-a.2d_dxf.zip](#)

English

[Customer View Model](#)

[ENG_CVM_CVM_6-1437260-1_A_c-6-1437260-1-a.3d_igs.zip](#)

English

[Customer View Model](#)

[ENG_CVM_CVM_6-1437260-1_A_c-6-1437260-1-a.3d_stp.zip](#)

English

Product Specifications

[Product Specification](#)

English

Mouser Electronics

Authorized Distributor

Click to View Pricing, Inventory, Delivery & Lifecycle Information:

[TE Connectivity:](#)

[C8D30PF29043](#)