



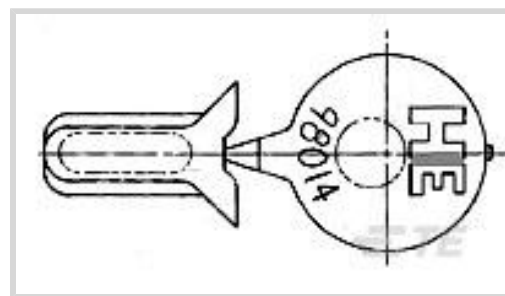
KE

TE Part # 1437273-2

TE Internal #: 98014-01

[View on TE.com >](#)

Connectors > PCB Connectors > PCB Connector Accessories > PCB Connector Keying



Accessory Type: **Polarization Key**

Operating Temperature Range: -55 – 105 °C [ -67 – 221 °F ]

## Features

### Product Type Features

Accessory Type	Polarization Key
----------------	------------------

### Usage Conditions

Operating Temperature Range	-55 – 105 °C [ -67 – 221 °F ]
-----------------------------	-------------------------------

### Packaging Features

Packaging Method	Bag
Packaging Quantity	500

## Product Compliance

[For compliance documentation, visit the product page on TE.com>](#)

EU RoHS Directive 2011/65/EU	Compliant
EU ELV Directive 2000/53/EC	Compliant
China RoHS 2 Directive MIIT Order No 32, 2016	No Restricted Materials Above Threshold
EU REACH Regulation (EC) No. 1907/2006	Current ECHA Candidate List: JAN 2019 (197) Candidate List Declared Against: JAN 2019 (197)
Halogen Content	Not Low Halogen - contains Br or Cl > 900 ppm.
Solder Process Capability	Not applicable for solder process capability

#### Product Compliance Disclaimer

This information is provided based on reasonable inquiry of our suppliers and represents our current actual knowledge based on the information they provided. This information is subject to change. The part numbers that TE has identified as EU RoHS compliant have a maximum concentration of 0.1% by weight in homogenous materials for lead, hexavalent chromium, mercury, PBB, PBDE, DBP, BBP, DEHP, DIBP, and 0.01% for cadmium, or qualify for an exemption to these limits as defined in the Annexes of Directive 2011/65/EU (RoHS2). Finished electrical and electronic equipment products

will be CE marked as required by Directive 2011/65/EU. Components may not be CE marked. Additionally, the part numbers that TE has identified as EU ELV compliant have a maximum concentration of 0.1% by weight in homogenous materials for lead, hexavalent chromium, and mercury, and 0.01% for cadmium, or qualify for an exemption to these limits as defined in the Annexes of Directive 2000/53/EC (ELV). Regarding the REACH Regulations, TE's information on SVHC in articles for this part number is still based on the European Chemical Agency (ECHA) 'Guidance on requirements for substances in articles' (Version: 2, April 2011), applying the 0.1% weight on weight concentration threshold at the finished product level. TE is aware of the European Court of Justice ruling of September 10th, 2015 also known as O5A (Once An Article Always An Article) stating that, in case of 'complex object', the threshold for a SVHC must be applied to both the product as a whole and simultaneously to each of the articles forming part of its composition. TE has evaluated this ruling based on the new ECHA "Guidance on requirements for substances in articles" (June 2017, version 4.0) and will be updating its statements accordingly.

Also in the Series | KE

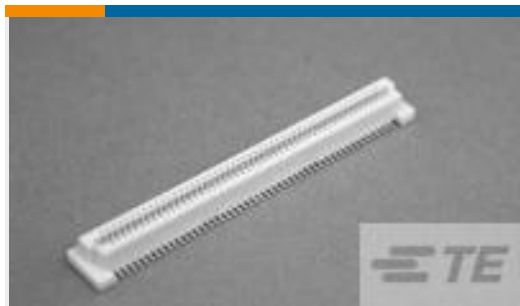


PCB Connector Keying(1)



RJ45 Connectors(2)

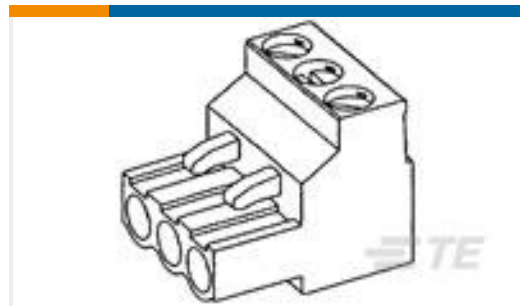
Customers Also Bought



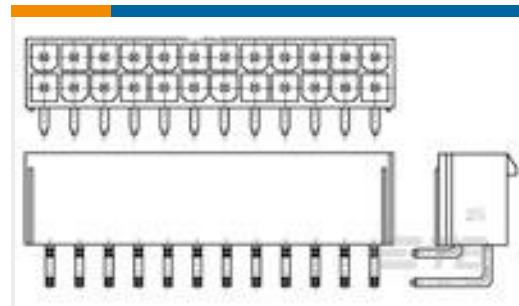
TE Part #1735481-4  
0.8FH,R17H.5,100,08/Sn,  
TU,SC



TE Part #2-34149-3  
PG R 22-16 COMM 22-18  
MIL 10



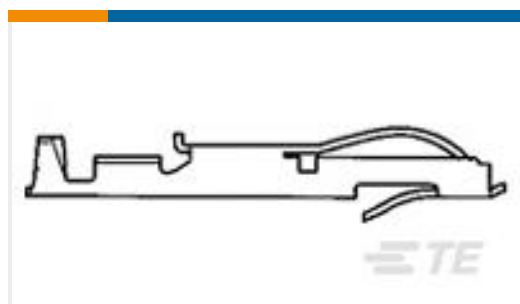
TE Part #796696-4  
TERMI-BLOK PLUG  
STACKING 4POS.



TE Part #2-1586042-2  
22P VAL-U-LOK R/A HDR  
V0



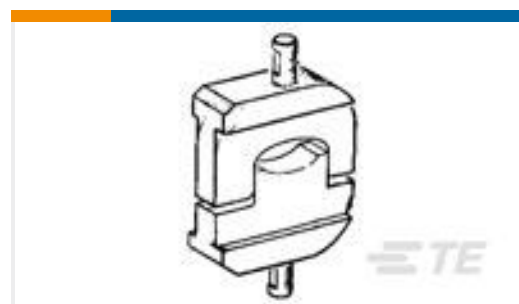
TE Part #2-6437273-4  
C6D12DS29C1LF=Cardedge  
Connector



TE Part #583649-6  
TW LF CONTACT LP OF  
583649-3



TE Part #6437274-8  
C7D18DS29C3LF



TE Part #68304-1  
DIE AMPOWER 69099 4/0



## Documents

### CAD Files

[3D PDF](#)

[3D](#)

**Customer View Model**

[ENG\\_CVM\\_CVM\\_1437273-2\\_B.2d\\_dxf.zip](#)

English

**Customer View Model**

[ENG\\_CVM\\_CVM\\_1437273-2\\_B.3d\\_igs.zip](#)

English

**Customer View Model**

[ENG\\_CVM\\_CVM\\_1437273-2\\_B.3d\\_stp.zip](#)

English

# Mouser Electronics

Authorized Distributor

Click to View Pricing, Inventory, Delivery & Lifecycle Information:

[TE Connectivity:](#)

[98014-01](#)