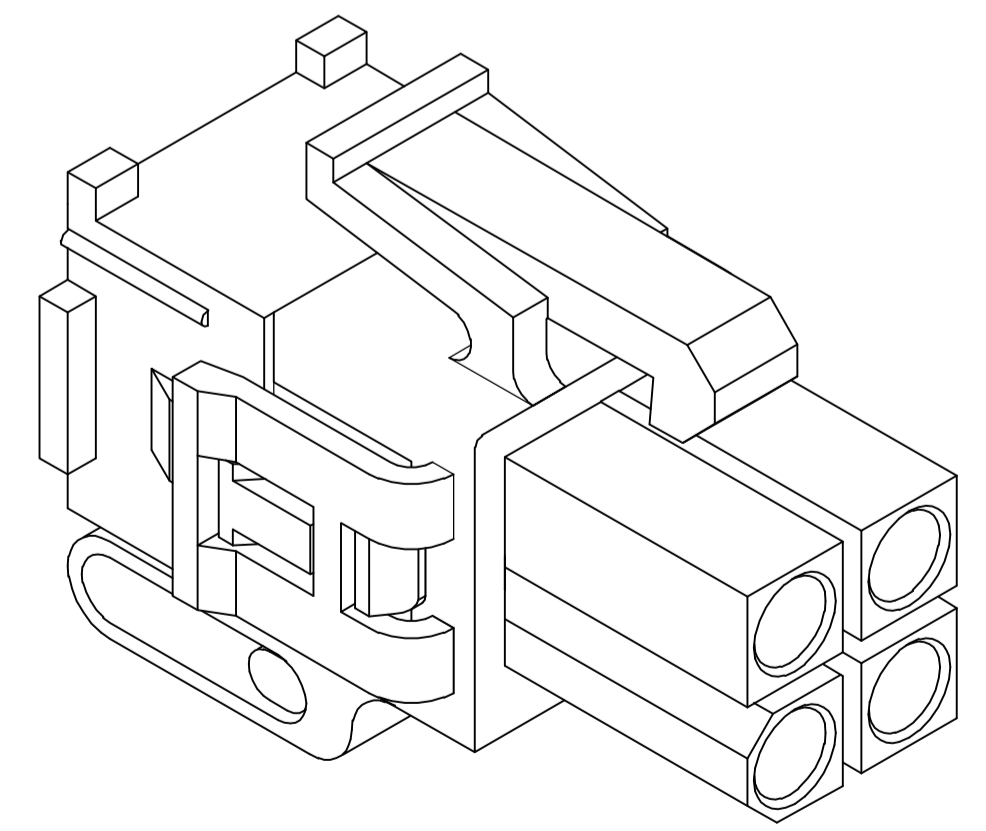
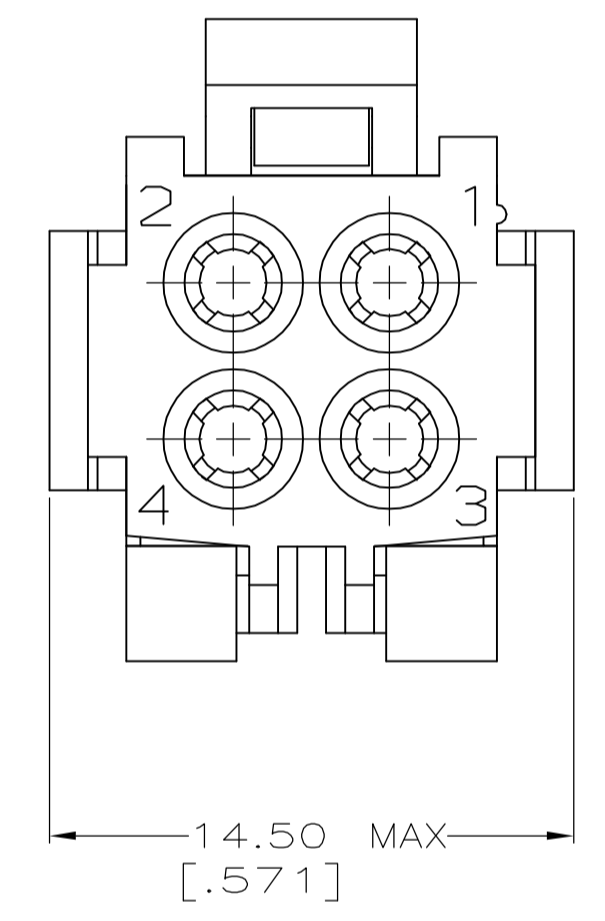
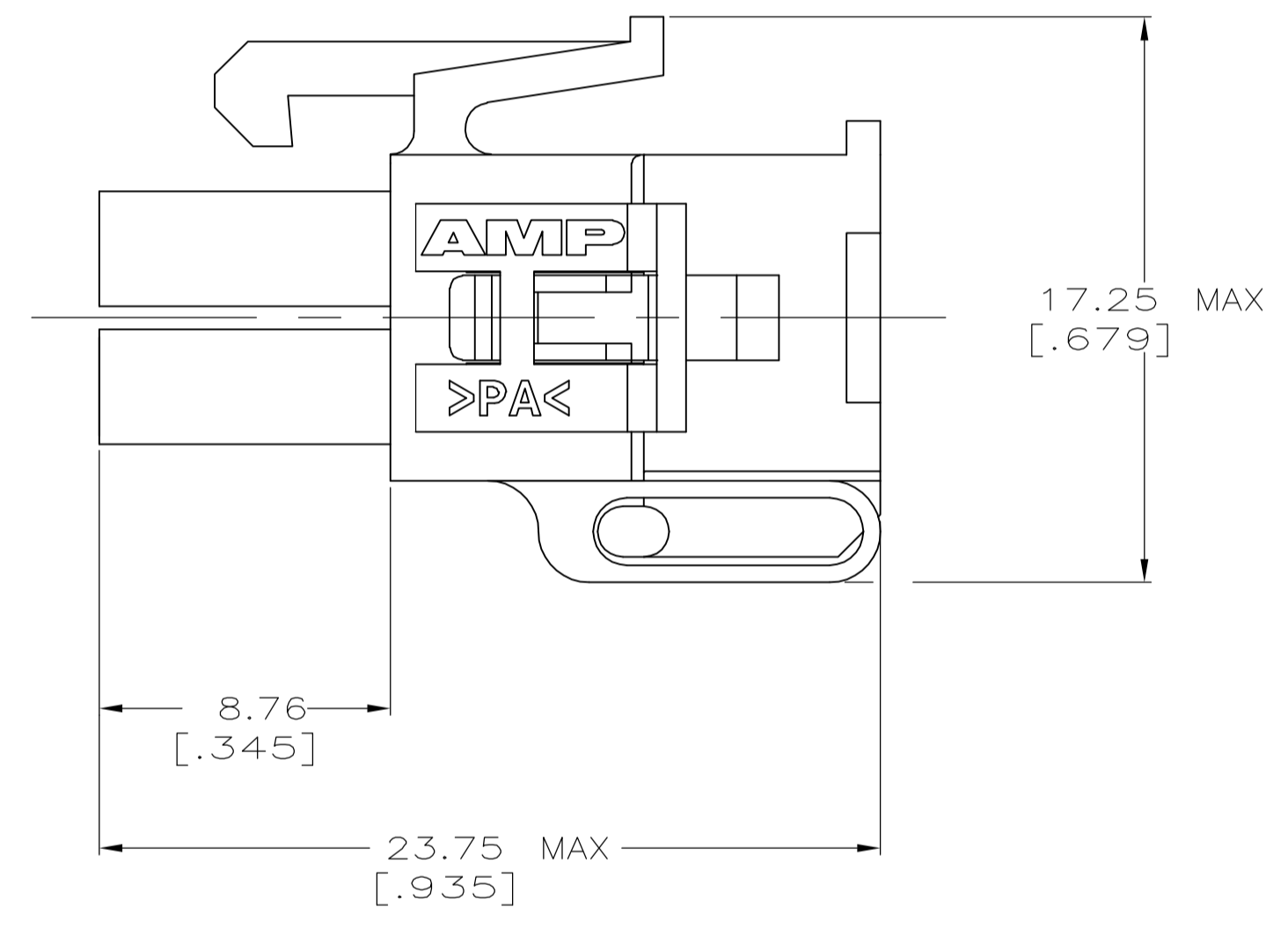
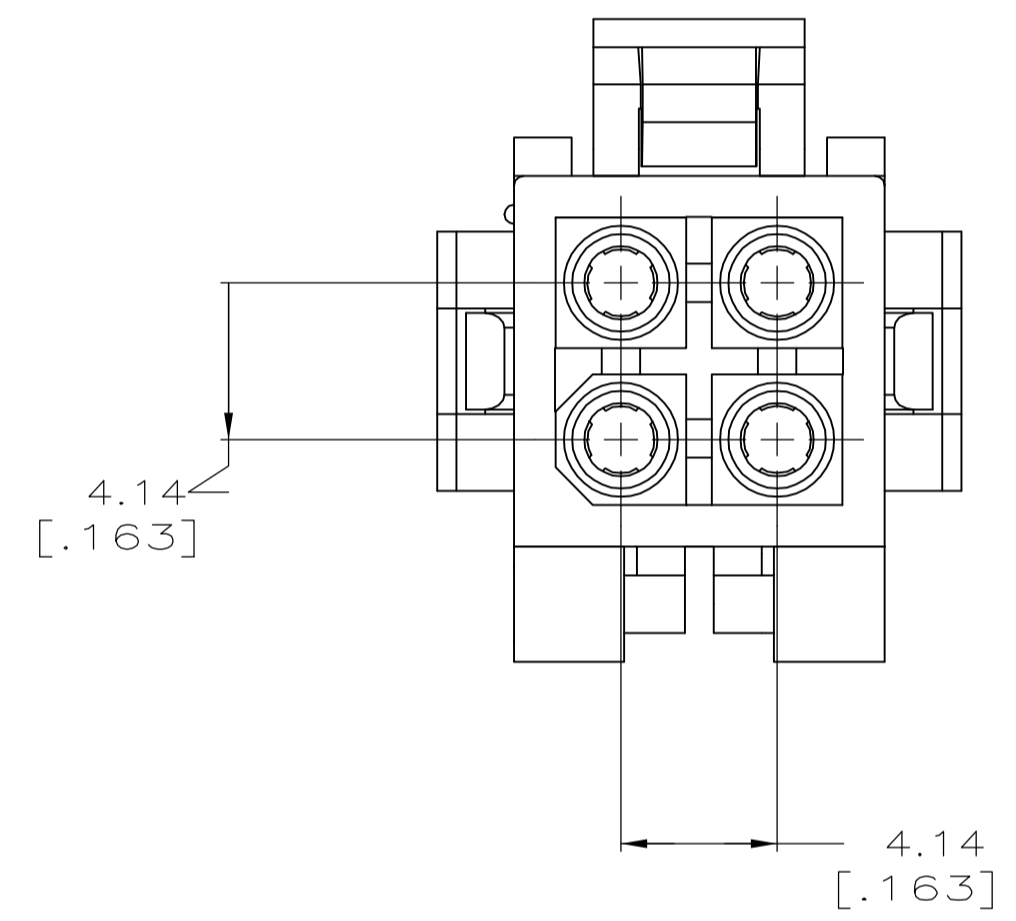


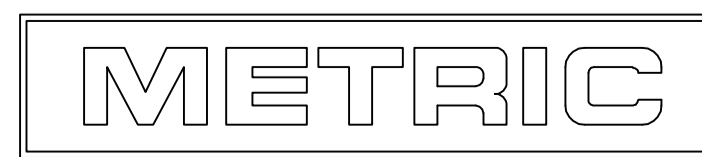
PRE-STAGED CONDITION

1. DIMENSIONS IN BRACKETS ARE IN INCHES.



3-DIMENSIONAL MODEL
NTS

1586617-1
PART NUMBER



THIS DRAWING IS A CONTROLLED DOCUMENT.		DWN K. WHITAKER 15DEC2004		Tyco Electronics Corporation Harrisburg, Pa 17105-3608	
DIMENSIONS: mm [INCHES]		CHK C. JONES 15DEC2004		APVD C. JONES 15DEC2004	NAME
TOLERANCES UNLESS OTHERWISE SPECIFIED:		0 PLC ± -	PRODUCT SPEC	APPLICATION SPEC	RESTRICTED TO
1 PLC ± - 2 PLC ± 0.13 [.005] 3 PLC ± - 4 PLC ± - ANGLES ± 0.30° FINISH -		SIZE	CAGE CODE	DRAWING NO	SCALE
MATERIAL NYLON, UL 94V-0, NATURAL		WEIGHT	A1	00779	1586617
		CUSTOMER DRAWING		SCALE	SHEET
				5:1	1 OF 1
					REV
					A

Mouser Electronics

Authorized Distributor

Click to View Pricing, Inventory, Delivery & Lifecycle Information:

[TE Connectivity:](#)

[1586617-1](#)