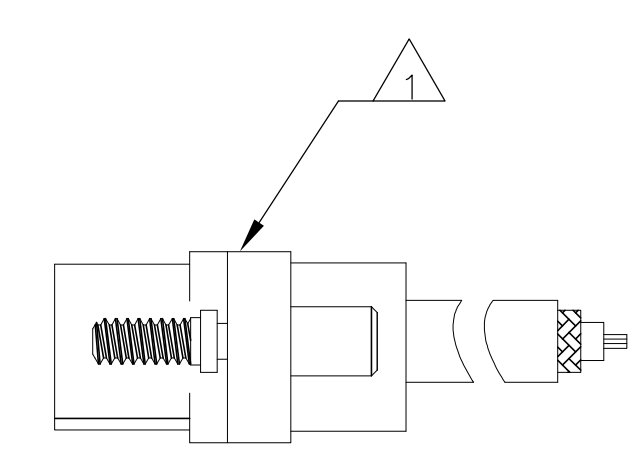
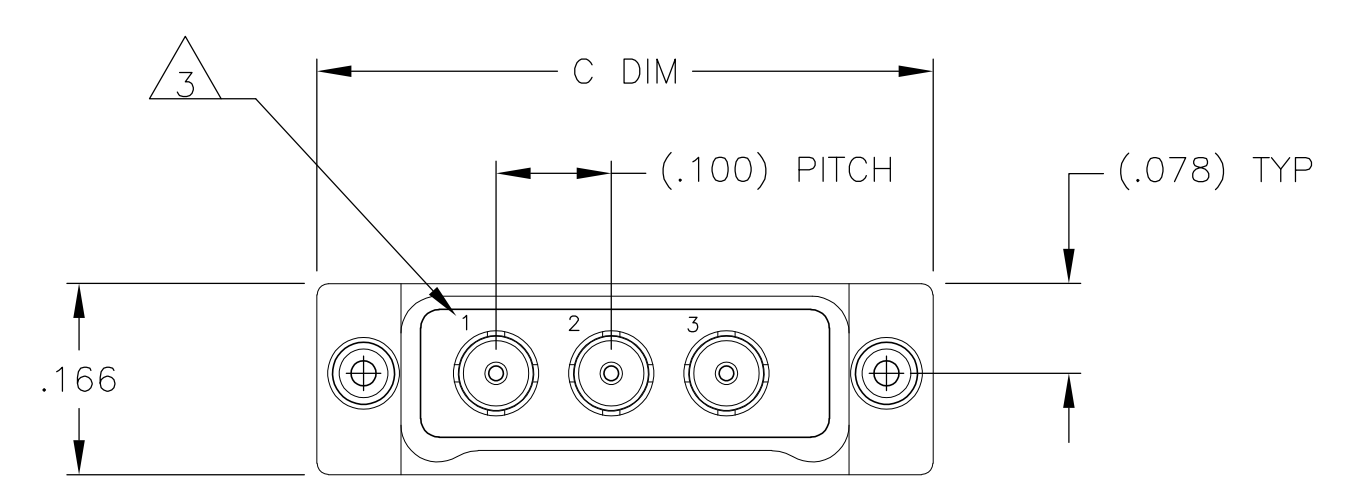
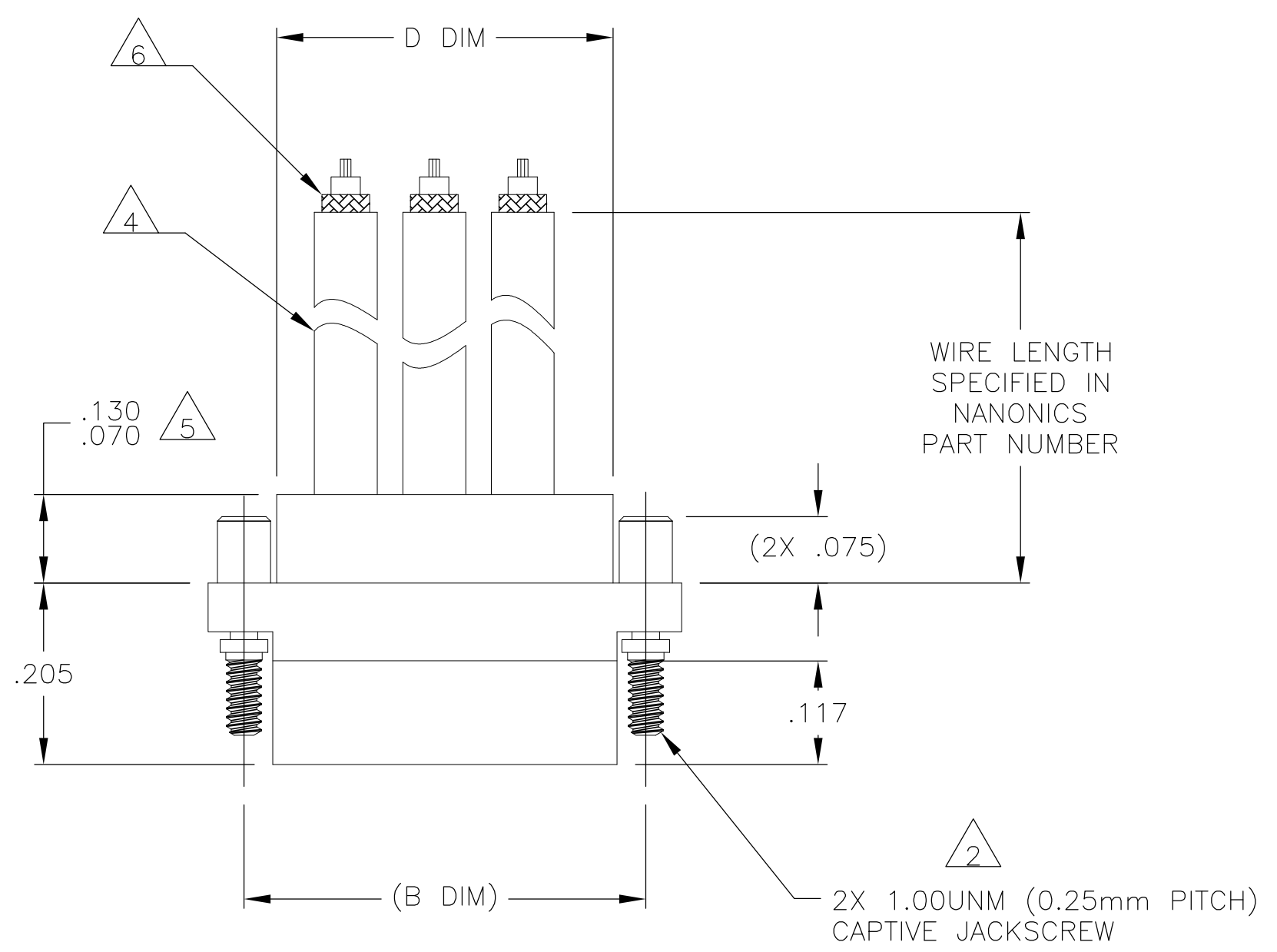
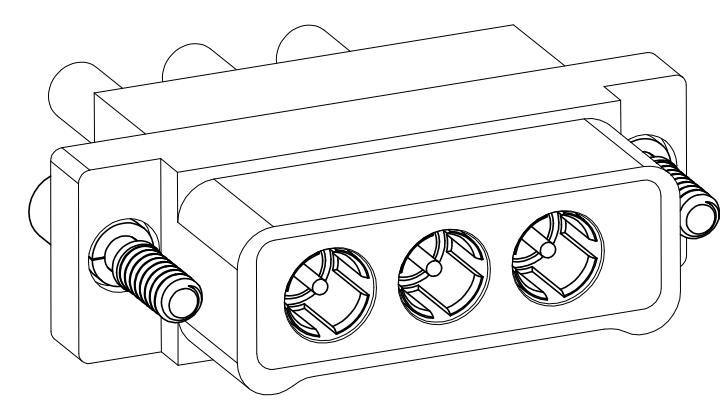


THIS DRAWING IS UNPUBLISHED. RELEASED FOR PUBLICATION
 © COPYRIGHT - By - ALL RIGHTS RESERVED.

LOC		DIST		REVISIONS			
P	LTR	DESCRIPTION	DATE	DWN	APVD		
	H1	REVISED PER ECO-11-005139	21MAR11	RK	HMR		

No. COAX POSITIONS	(B DIM)	C DIM	D DIM
1	(.254)	.335	.18
2	(.354)	.435	.28
3	(.454)	.535	.38
4	(.554)	.635	.48
5	(.654)	.735	.58
6	(.754)	.835	.68
7	(.854)	.935	.78
8	(.954)	1.035	.88
9	(1.054)	1.135	.98



- 1 SHELL MATERIAL: 6061-T6 ALUMINUM, ELECTROLESS NICKEL PLATED PER SAE-AMS-C-26074 OR SAE-AMS-2404E
INSULATOR MATERIAL: LIQUID CRYSTAL POLYMER (LCP) PER MIL-M-24519 OR PER ASTM D5138
- 2 STANDARD 1.00UNM CAPTIVE JACKSCREWS ARE SHOWN FOR REFERENCE ONLY AND MUST BE SPECIFIED IN THE NANONICS PART NUMBER WHEN REQUIRED. JACKSCREW MATERIAL IS 303 STAINLESS STEEL, PASSIVATED PER SAE-AMS-2700, AND DRY LUBED PER DOD-L-85645. RETAINING RING IS 17-4 STAINLESS STEEL, PASSIVATED PER SAE-AMS-2700. JACKSCREWS HAVE A .9mm HEX SOCKET HEAD. 1.20UNM JACKSCREWS ALSO AVAILABLE.
- 3 CONTACT NUMBERS ARE FOR REFERENCE ONLY AND ARE NOT MARKED ON THE PART.
- 4 THIS CONFIGURATION MAY BE TERMINATED WITH RG-178 50 OHM COAXIAL CABLE, OR OTHER 50 OHM COAXIAL CABLES WITH 30 AWG OR SMALLER CENTER CONDUCTORS. CABLE TYPE AND LENGTH SHALL BE SPECIFIED IN THE NANONICS PART NUMBER.
- 5 BACKPOTTING STANDARD FOR WIRED COAX ASSEMBLIES.
- 6 STRIPPED COAXES ARE SHOWN FOR VISUAL PURPOSES ONLY. WIRE TERMINATIONS ARE UNSTRIPPED.
- 7 THIS DRAWING PREVIOUSLY IDENTIFIED AS NANONICS 303-0046.

THIS DRAWING IS A CONTROLLED DOCUMENT.		DWN D. RYAN 30 AUG 99																				
DIMENSIONS: INCHES		CHK E. PAULUS 3 SEP 99																				
TOLERANCES UNLESS OTHERWISE SPECIFIED:		APVD -	NAME PLUG ASSEMBLY, 1-9 COAX ONLY, 50 OHM, METAL																			
<table border="1"> <tr><td>0 PLC</td><td>±</td><td>-</td></tr> <tr><td>1 PLC</td><td>±</td><td>-</td></tr> <tr><td>2 PLC</td><td>±</td><td>.010</td></tr> <tr><td>3 PLC</td><td>±</td><td>.005</td></tr> <tr><td>4 PLC</td><td>±</td><td>-</td></tr> <tr><td>ANGLES</td><td></td><td>± 1°</td></tr> </table>		0 PLC	±	-	1 PLC	±	-	2 PLC	±	.010	3 PLC	±	.005	4 PLC	±	-	ANGLES		± 1°	PRODUCT SPEC -	SIZE A2	
0 PLC	±	-																				
1 PLC	±	-																				
2 PLC	±	.010																				
3 PLC	±	.005																				
4 PLC	±	-																				
ANGLES		± 1°																				
MATERIAL SEE NOTES		APPLICATION SPEC -	CAGE CODE 0PNJ9	DRAWING NO 1589070																		
FINISH SEE NOTES		WEIGHT -	RESTRICTED TO -	SCALE 6:1																		
		CUSTOMER DRAWING	SHEET 1 of 1	REV H1																		

Mouser Electronics

Authorized Distributor

Click to View Pricing, Inventory, Delivery & Lifecycle Information:

[TE Connectivity:](#)

[5-1589070-6](#)