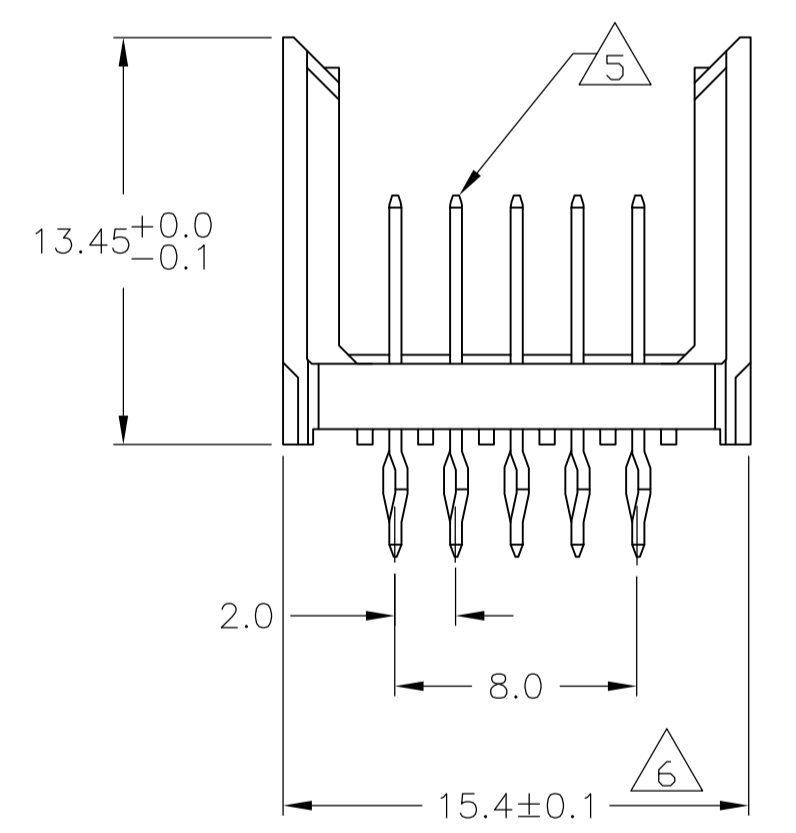
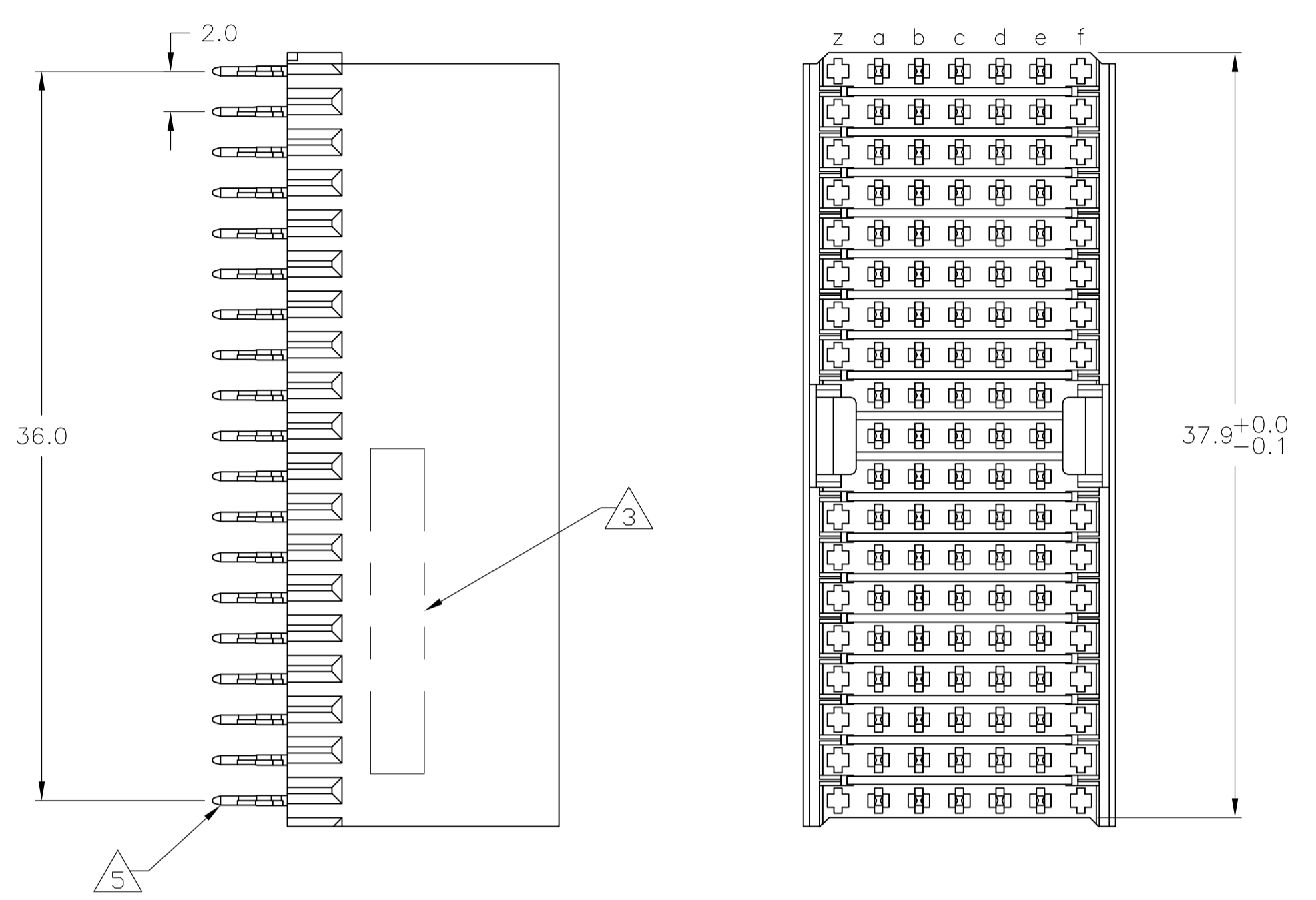
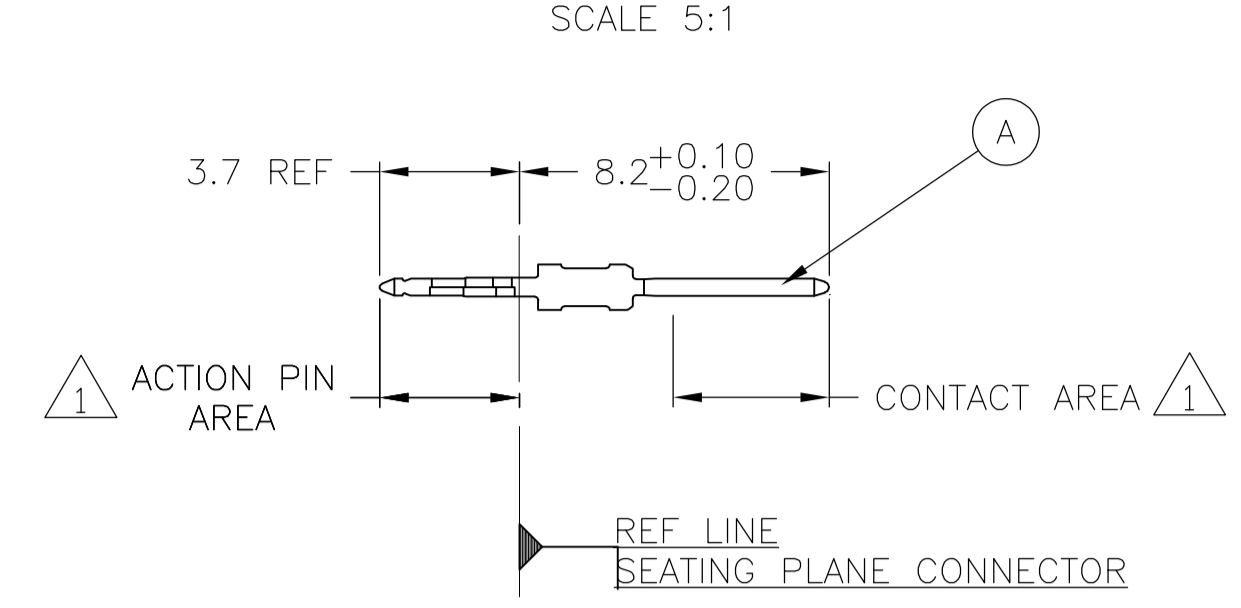


LOC		DIST		REVISIONS			
AD	00	REV	DATE	BY	CHK	APPV	
A		RELEASED	09MAR09	DH	DY		
B		ECR-10-019054	15SEP10	DP	MQW		

### CONNECTOR ASSEMBLY EXAMPLARY LOADED



### CONTACT DIMENSIONS

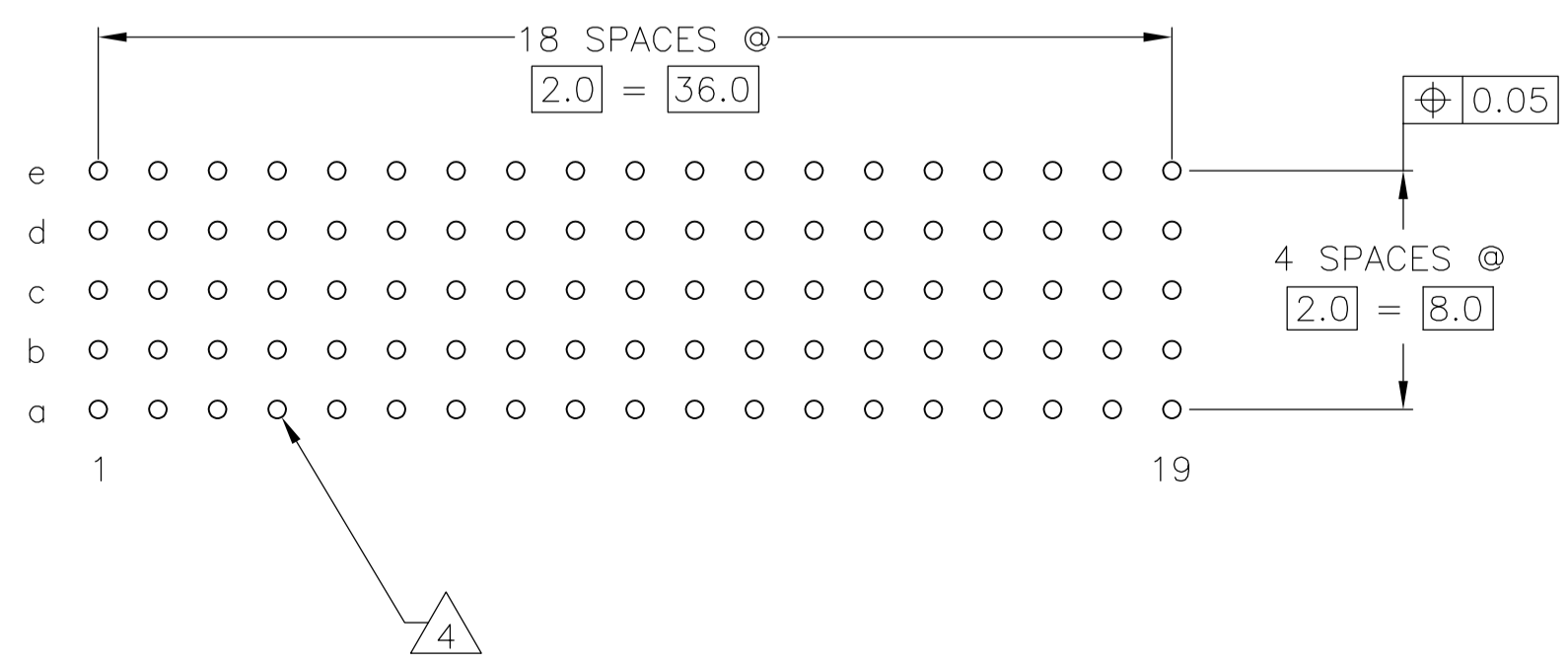


### CONTACT LAYOUT

	z	a	b	c	d	e	f
1	A	A	A	A	A		
2	A	A	A	A	A		
3	A	A	A	A	A		
4	A	A	A	A	A		
5	A	A	A	A	A		
6	A	A	A	A	A		
7	A	A	A	A	A		
8	A	A	A	A	A		
9	A	A	A	A	A		
10	A	A	A	A	A		
11	A	A	A	A	A		
12	A	A	A	A	A		
13	A	A	A	A	A		
14	A	A	A	A	A		
15	A	A	A	A	A		
16	A	A	A	A	A		
17	A	A	A	A	A		
18	A	A	A	A	A		
19	A	A	A	A	A		

### RECOMMENDED PCB-HOLE LAYOUT COMPONENT SIDE SHOWN

**PCB HOLE DIM ACTION PIN**  
 DRILLED HOLE: 0.7±0.025  
 FIN HOLE: 0.55 TO 0.65mm  
 Cu-thks: 0.025 TO 0.050mm  
 SnPb-thks: 0.004 TO 0.010mm



- 1 CONTACT FINISH:  
CONTACT AREA: 0.8um Au MIN OVER 1.3um Ni MIN.  
ACTION PIN: 0.5um SnPb MIN OVER 1.3um Ni MIN.
- 2 MATERIAL:  
CONTACT: PHOSPHOR BRONZE.  
HOUSING: GLASS-FILLED POLYESTER.
- 3 CONNECTOR MARKED WITH PART NUMBER AND DATE CODE.  
ADDITIONAL CHARACTERS OR MARKINGS, AS WELL AS THE LOCATION OF THE MARKINGS,  
MAY BE ADDED FOR TRACEABILITY BASED UPON MANUFACTURERS DISCRETION.
- 4 PLATED-THROUGH HOLES AT 2x2mm SQUARE GRID  
TOTAL 95 HOLES.
- 5 FOR ACTUAL PIN LOADING SEE "CONTACT LAYOUT".
- 6 TO BE MEASURED AT BOTTOM OF SHROUD.

646948-1  
PART NUMBER

THIS DRAWING IS A CONTROLLED DOCUMENT.		DIN B CARBO 10JUL02	Tyco Electronics Corporation Harrisburg, PA 17105-3608	
DIMENSIONS: mm		CHK G SKIPPER 10JUL02	NAME	
TOLERANCES UNLESS OTHERWISE SPECIFIED:		APPV G SKIPPER 10JUL02	PRODUCT SPEC	
0-PLC ±		APPLICATION SPEC		
1-PLC ±0.1		SIZE CASE CODE DRAWING NO		
2-PLC ±		RESTRICTED TO		
3-PLC ±		WEIGHT		
4-PLC ±		A1 00779 C=646948		
ANGLES		CUSTOMER DRAWING		
		SCALE 4:1 SHEET 1 OF 1 REV B		

# Mouser Electronics

Authorized Distributor

Click to View Pricing, Inventory, Delivery & Lifecycle Information:

[TE Connectivity:](#)

[646948-1](#)