

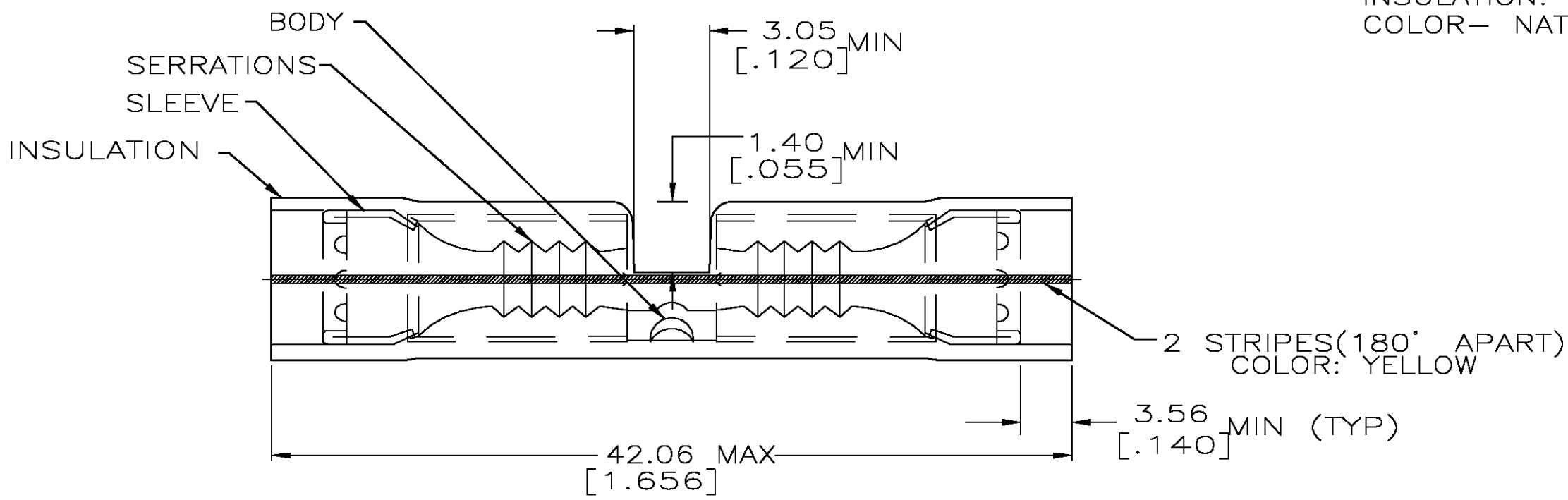
THIS DRAWING IS UNPUBLISHED. RELEASED FOR PUBLICATION
 © COPYRIGHT BY TYCO ELECTRONICS CORPORATION. ALL RIGHTS RESERVED.

LOC	DIST	REVISIONS			
P	LTR	DESCRIPTION	DATE	DWN	APVD
G	14	M	REV PER 0G3A-0582-04	31AUG04	JR TM

AMP
WIRE RANGE

12-10 AWG
STRANDED

- 1 WIRE INSULATION DIA 3.81 [.150] TO 5.59 [.220].
- △2 FINISH: BODY AND SLEEVE: TIN/LEAD (93-7) PLATE PER ASTM B545. (3% MIN LEAD CONTENT)
- △3 MATERIAL: BODY AND SLEEVE, COPPER PER ASTM B152
INSULATION: PVF²
COLOR- NATURAL



- 1. WIRE INSULATION DIA 3.81 [.150] TO 5.59 [.220]
- 2. TIN/LEAD (93-7) PLATE PER ASTM B545.

MILITARY PART NUMBER AND CLASS PER MIL - T - 7928	QTY	PACKAGE TYPE	PART NO.
-	50	LOOSE PIECE, BOX	8-53550-2
M7928/6-5 CLASS 1 & 2	500	LOOSE PIECE	53550-1

AMP INCORPORATED
CUSTOMER SERVICE SYSTEMS

FOR ADDITIONAL PRODUCT INFORMATION OR COPIES OF DRAWINGS AND TECHNICAL DOCUMENTS
 PRODUCT INFORMATION CENTER
 1-800-522-6752

FOR APPLICATION TOOLING ASSISTANCE CENTER
 TOOLING INFORMATION
 1-800-722-1111

FOR ORDER ENTRY
 1-800-526-5142

MAX RECOMMENDED OPERATING TEMPERATURE:
150°C

VOLTAGE RATING:
-

CIRCULAR MIL AREA:
2.62-6.64mm² [5,180-13,100] STRANDED

THIS DRAWING IS A CONTROLLED DOCUMENT FOR AMP INCORPORATED. IT IS SUBJECT TO CHANGE AND THE CONTROLLING ENGINEERING ORGANIZATION SHOULD BE CONTACTED FOR THE LATEST REVISION.

THIS DRAWING IS A CONTROLLED DOCUMENT.

DIMENSIONS: MM [INCHES]

TOLERANCES UNLESS OTHERWISE SPECIFIED:

0 PLC	± -
1 PLC	± -
2 PLC	± 0.20 [.008]
3 PLC	± -
4 PLC	± -
ANGLES	± -
FINISH	△2

MATERIAL: - △3

DWN S.S. GOULDEN 9-28-93
 CHK R. HERSEY 9-28-93
 APVD M ELLIS 9-28-93

tyco Electronics Tyco Electronics Corporation
 Harrisburg, Pa 17105-3608

NAME: SPLICE, BUTT, PVF², P.I.D.G.
 WIRE SIZE: 12-10 AWG

PRODUCT SPEC: 108-11023

APPLICATION SPEC: -

SIZE: A3 CAGE CODE: 00779 DRAWING NO: C-53550 RESTRICTED TO: -

WEIGHT: -

CUSTOMER DRAWING SCALE: 1:1 SHEET: 1 OF 1 REV: M

Mouser Electronics

Authorized Distributor

Click to View Pricing, Inventory, Delivery & Lifecycle Information:

[TE Connectivity:](#)

[M7928/6-5](#)