

90035-3 ✓ ACTIVE

AMP

TE Internal #: 90035-3

Portable Crimp Tools, Premium Crimp Tooling, Not Releasable, Not Adjustable, Fixed In Tool, TE Product Specification (114-) / MIL Spec / UL/CSA

[View on TE.com >](#)



Application Tooling > Portable Crimp Tools



Tool Grade: Premium Crimp Tooling

Ratchet Configuration: Not Releasable, Not Adjustable

Die Sets Type: Fixed In Tool

Specification Type: MIL Spec, TE Product Specification (114-), UL/CSA

TE Certification: Yes – Certificate Included

Features

Other

Crimp Form-Wire Barrel Type	Closed Barrel - Confined Crescent
Tool Grade	Premium Crimp Tooling
Ratchet Configuration	Not Releasable, Not Adjustable
Die Sets Type	Fixed In Tool
Specification Type	MIL Spec, TE Product Specification (114-), UL/CSA
TE Certification	Yes – Certificate Included
Power Technology Type	Battery, Manual
Tooling Type	Double Action Hand Tool

Product Compliance

[For compliance documentation, visit the product page on TE.com>](#)

EU RoHS Directive 2011/65/EU	Out of Scope
EU ELV Directive 2000/53/EC	Out of Scope
China RoHS 2 Directive MIIT Order No 32, 2016	Not reviewed for China RoHS compliance
EU REACH Regulation (EC) No. 1907/2006	Current ECHA Candidate List: JAN 2021 (211) Candidate List Declared Against: JAN 2021 (211) Does not contain REACH SVHC

Halogen Content

Not Yet Reviewed for halogen content

Solder Process Capability

Not applicable for solder process capability

Product Compliance Disclaimer

This information is provided based on reasonable inquiry of our suppliers and represents our current actual knowledge based on the information they provided. This information is subject to change. The part numbers that TE has identified as EU RoHS compliant have a maximum concentration of 0.1% by weight in homogenous materials for lead, hexavalent chromium, mercury, PBB, PBDE, DBP, BBP, DEHP, DIBP, and 0.01% for cadmium, or qualify for an exemption to these limits as defined in the Annexes of Directive 2011/65/EU (RoHS2). Finished electrical and electronic equipment products will be CE marked as required by Directive 2011/65/EU. Components may not be CE marked. Additionally, the part numbers that TE has identified as EU ELV compliant have a maximum concentration of 0.1% by weight in homogenous materials for lead, hexavalent chromium, and mercury, and 0.01% for cadmium, or qualify for an exemption to these limits as defined in the Annexes of Directive 2000/53/EC (ELV). Regarding the REACH Regulation, the information TE provides on SVHC in articles for this part number is based on the latest European Chemicals Agency (ECHA) 'Guidance on requirements for substances in articles' posted at this URL: <https://echa.europa.eu/guidance-documents/guidance-on-reach>

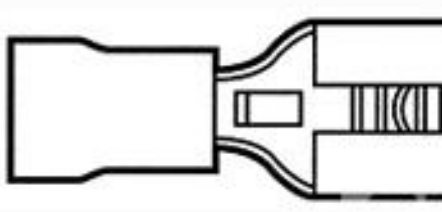
## Compatible Parts



TE Part # CAT-P592-F266  
PIDG FASTON RECPT QUICK DISCONNECTS



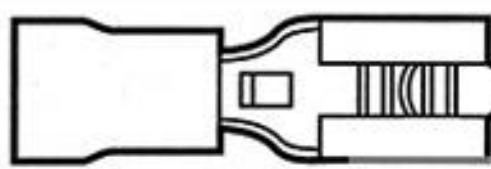
TE Part # 61048-1  
RECEPT,PIDG FASTON 22-18 110



TE Part # 42599-2  
RECEPT,PIDG FASTON 22-18 250



TE Part # 160834-5  
PIDG PIGGY-B FASTON



TE Part # 9-160483-5  
187 PIDG FASTON REC



TE Part # 140896-2  
TERMINAL TAB FASTON PIDG 6,35



TE Part # 61060-2  
RECEPT,PIDG FASTON 22-18 110



TE Part # 60894-2  
RECEPT,PIDG FASTON 22-18 110



TE Part # 165565-2  
2,8 PIDG FASTON REC



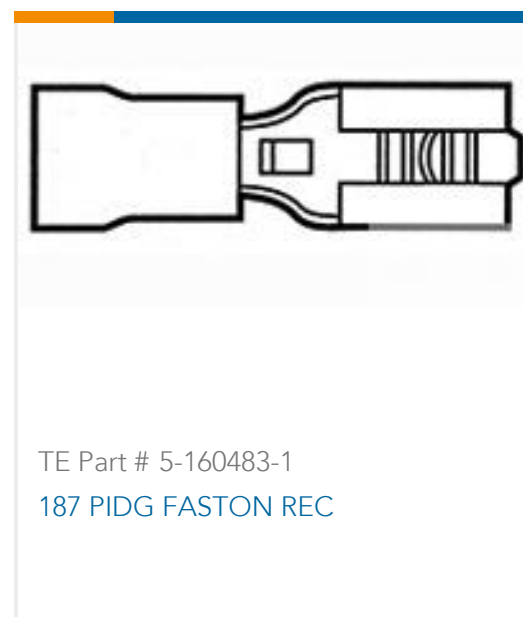
TE Part # 165563-1  
110 PIDG FASTON REC



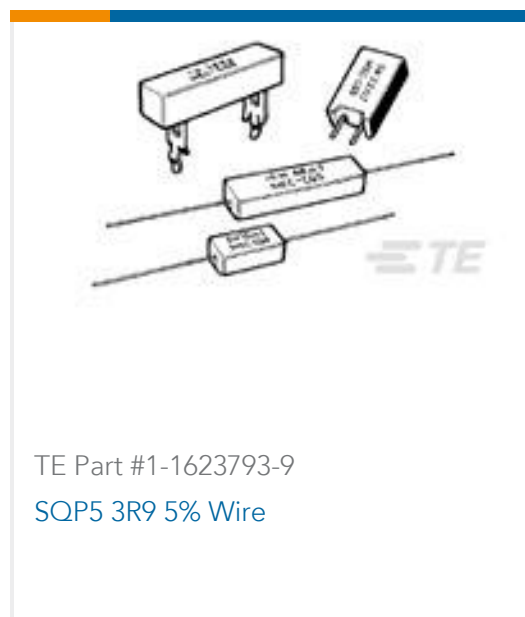
TE Part # 9-160583-5  
250 PIDG FASTON REC



TE Part # 140805-2  
TERMINAL REC FASTON PIDG 5



### Customers Also Bought



### Documents



### Datasheets & Catalog Pages

[CERTI-CRIMP II-Premium-August-1-1773864-7](#)

English

[Crimp Term Whitepaper-Use the Right Tool 1-1773953-1](#)

English

[CRIMPING WHERE FORM MEETS FUNCTION](#)

English

[Bottoming Dies](#)

English

---

### Instruction Sheets

[Instruction Sheet \(non U.S.\)](#)

English

# Mouser Electronics

Authorized Distributor

Click to View Pricing, Inventory, Delivery & Lifecycle Information:

[TE Connectivity:](#)

[90035-3](#)