



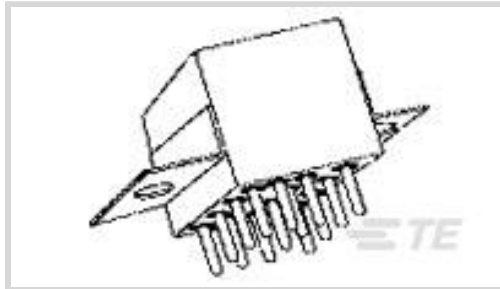
CII | CII FCB-405 Series

TE Internal #: 8-1617760-0

CII FCB-405 Series, Mid-Range Relays, Mid-Range Relay Contact Arrangement 4 Form C, 4PDT, 4 C/O, Coil Suppression Diode, Tin-Lead Terminal Plating

[View on TE.com >](#)

Relays, Contactors & Switches > Relays > Mil-Aero Relays > Mid-Range Relays



Mid-Range Relay Contact Arrangement: **4 Form C, 4PDT, 4 C/O**

Coil Suppression Diode: **With**

Auxiliary Contacts: **Without**

Terminal Plating: **Tin-Lead**

Mid-Range Relay Contact Current Rating: **5 A**

Features

Product Type Features

Enclosure Type	Hermetically Sealed
Terminal Configuration	Solder Pins
Product Type	Relay
Relay Type	Military/Aerospace Mid-Range

Electrical Characteristics

Vibration	30G's, 70 – 3000Hz
Shock	200G's, 6ms
Coil Suppression Diode	With
Mid-Range Relay Coil Voltage Rating	28 VDC
Mid-Range Relay Coil Resistance	400 Ω
Back EMF Suppression	With
Coil Magnetic System	Polarized, Monostable
Actuating System	DC

Contact Features

Mid-Range Relay Contact Arrangement	4 Form C, 4PDT, 4 C/O
Auxiliary Contacts	Without
Terminal Plating	Tin-Lead
Mid-Range Relay Contact Current Rating	5 A



Contact Base Material	Silver Cadmium Oxide
-----------------------	----------------------

Mechanical Attachment

Mid-Range Relay Mounting Type	Raised Vertical Flange Mount
-------------------------------	------------------------------

Usage Conditions

Operating Temperature Range	-70 – 125 °C
-----------------------------	--------------

Product Compliance

[For compliance documentation, visit the product page on TE.com>](#)

EU RoHS Directive 2011/65/EU	Not Compliant
------------------------------	---------------

EU ELV Directive 2000/53/EC	Not Compliant
-----------------------------	---------------

China RoHS 2 Directive MIIT Order No 32, 2016	Restricted Materials Above Threshold
---	--------------------------------------

EU REACH Regulation (EC) No. 1907/2006	Current ECHA Candidate List: JAN 2021 (211) Candidate List Declared Against: JAN 2021 (211) Does not contain REACH SVHC
--	---

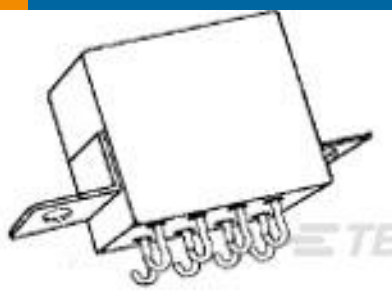
Halogen Content	Low Halogen - Br, Cl, F, I < 900 ppm per homogenous material. Also BFR/CFR/PVC Free
-----------------	---

Solder Process Capability	Not lead free process capable
---------------------------	-------------------------------

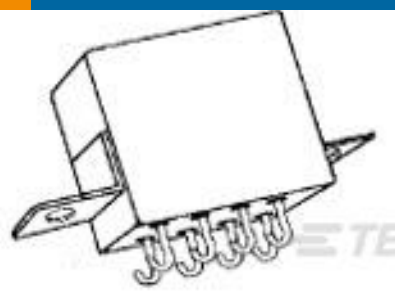
Product Compliance Disclaimer

This information is provided based on reasonable inquiry of our suppliers and represents our current actual knowledge based on the information they provided. This information is subject to change. The part numbers that TE has identified as EU RoHS compliant have a maximum concentration of 0.1% by weight in homogenous materials for lead, hexavalent chromium, mercury, PBB, PBDE, DBP, BBP, DEHP, DIBP, and 0.01% for cadmium, or qualify for an exemption to these limits as defined in the Annexes of Directive 2011/65/EU (RoHS2). Finished electrical and electronic equipment products will be CE marked as required by Directive 2011/65/EU. Components may not be CE marked. Additionally, the part numbers that TE has identified as EU ELV compliant have a maximum concentration of 0.1% by weight in homogenous materials for lead, hexavalent chromium, and mercury, and 0.01% for cadmium, or qualify for an exemption to these limits as defined in the Annexes of Directive 2000/53/EC (ELV). Regarding the REACH Regulation, the information TE provides on SVHC in articles for this part number is based on the latest European Chemicals Agency (ECHA) 'Guidance on requirements for substances in articles' posted at this URL: <https://echa.europa.eu/guidance-documents/guidance-on-reach>

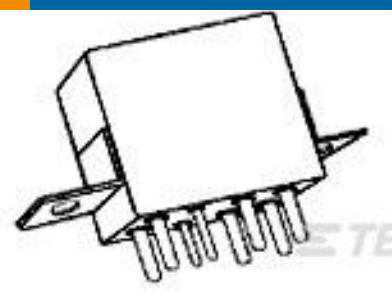
Compatible Parts

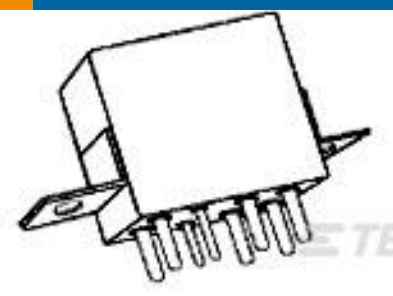
TE Part # 5-1617758-2
FCB-205-0226M=M83536/2-026M



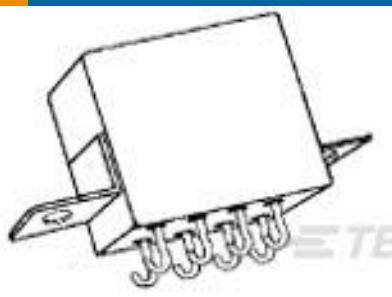
TE Part # 4-1617758-8
FCB-205-0223M=M83536/2-023M



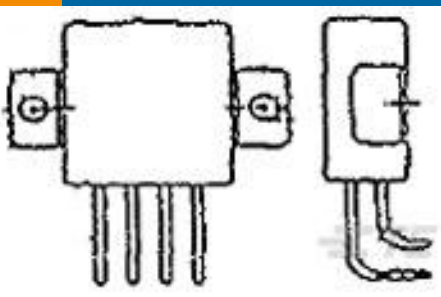
TE Part # 3-1617758-5
FCB-205-0125M=M83536/1-025M



TE Part # 4-1617758-9
FCB-205-0224L=M83536/2-024L



TE Part # 8-1617758-1
FCB-205-CX3



TE Part # 9-1617758-0
FCB-205-HX4



TE Part # 1-1617785-0
FCB-205-0132L=M83536/1-032L



TE Part # 1-1617785-6
FCB-205-0135L=M83536/1-035L



TE Part # 1617785-3
FCB-205-0128M=M83536/1-028M



TE Part # 1617785-9
FCB-205-0131M=M83536/1-031M



TE Part # 2-1617786-3
FCB-205-0201M=M83536/2-001M



TE Part # 2-1617786-9
FCB-205-0205L=M83536/2-005L



TE Part # 3-1617786-1
FCB-205-0206L=M83536/2-006L



TE Part # 3-1617786-7
FCB-205-0210L=M83536/2-010L



TE Part # 4-1617758-2
FCB-205-0215M=M83536/2-015M



TE Part # 4-1617786-3
FCB-205-0213M=M83536/2-013M



TE Part # 4-1617786-9
FCB-205-0217L=M83536/2-017L



TE Part # 5-1617786-3
FCB-205-0221L=M83536/2-021L



TE Part # 5-1617786-9
FCB-205-0228L=M83536/2-028L



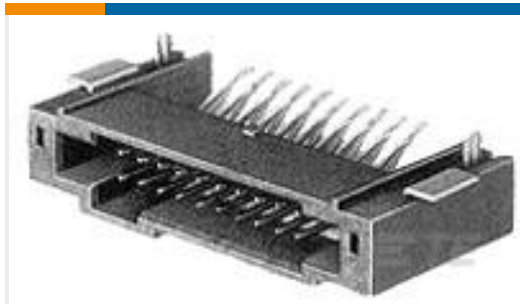
TE Part # 6-1617777-3
FCB-205-0107L M83536/1-007L RELAY

Also in the Series | CII FCB-405 Series



Mid-Range Relays(24)

Customers Also Bought



TE Part #104894-8
80 50/50 GRID RA HDR



TE Part #1-1617039-8
HMS1201S004 = 2100 HMS RELAY



TE Part #YDIV46E23-35SNV001
PLUG ASSY



TE Part #1147543001
55A9002-26-2



TE Part #0691163001
55A9002-26-5



TE Part #0228643001
55A9002-30-4



TE Part #1-1617084-1
SR-9901 = SR 4 POLE HALF SIZE



TE Part #1663260-1
INSERT ASY,PIN,150,FR,SPCL,600

Documents

Product Drawings

[FCB-405-0620M=M83536/6-020M](#)

English

CAD Files

[3D PDF](#)

3D

Customer View Model

[ENG_CVM_CVM_8-1617760-0_C.2d_dxf.zip](#)

English

Customer View Model

[ENG_CVM_CVM_8-1617760-0_C.3d_igs.zip](#)

English

Customer View Model

[ENG_CVM_CVM_8-1617760-0_C.3d_stp.zip](#)

English

By downloading the CAD file I accept and agree to the [Terms and Conditions](#) of use.



Datasheets & Catalog Pages

[5-1773450-5_sec5_FCB-405](#)

English

Mouser Electronics

Authorized Distributor

Click to View Pricing, Inventory, Delivery & Lifecycle Information:

[TE Connectivity:](#)

[FCB-405-0620M](#)