



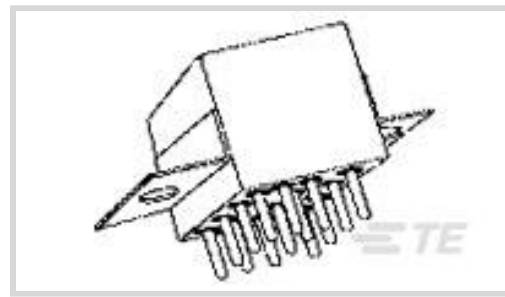
CII

TE Internal #: 7-1617787-5

Mid-Range Relays, Mid-Range Relay Contact Arrangement 4 Form C, 4PDT, 4 C/O, Coil Suppression Diode, Gold Terminal Plating

[View on TE.com >](#)

Relays, Contactors & Switches > Relays > Mil-Aero Relays > Mid-Range Relays



Mid-Range Relay Contact Arrangement: **4 Form C, 4PDT, 4 C/O**

Coil Suppression Diode: **With**

Auxiliary Contacts: **Without**

Terminal Plating: **Gold**

Mid-Range Relay Contact Current Rating: **5 A**

## Features

### Product Type Features

Enclosure Type	Hermetically Sealed
Terminal Configuration	Socket Pins
Product Type	Relay
Relay Type	Military/Aerospace Mid-Range

### Electrical Characteristics

Vibration	30G's, 70 – 3000Hz
Shock	200G's, 6ms
Coil Suppression Diode	With
Mid-Range Relay Coil Voltage Rating	48 VDC
Mid-Range Relay Coil Resistance	1275 Ω
Back EMF Suppression	With
Coil Magnetic System	Polarized, Monostable
Actuating System	DC

### Contact Features

Mid-Range Relay Contact Arrangement	4 Form C, 4PDT, 4 C/O
Auxiliary Contacts	Without
Terminal Plating	Gold
Mid-Range Relay Contact Current Rating	5 A
Contact Base Material	Silver Cadmium Oxide



**Mechanical Attachment**

Mid-Range Relay Mounting Type	Raised Vertical Flange Mount
-------------------------------	------------------------------

**Usage Conditions**

Operating Temperature Range	-70 – 125 °C
-----------------------------	--------------

**Product Compliance**

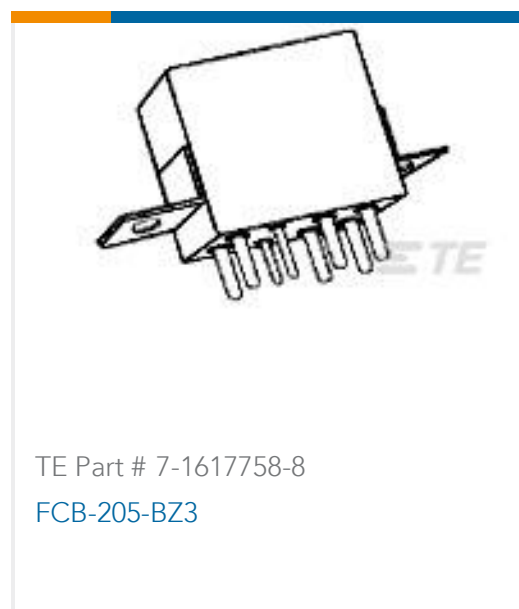
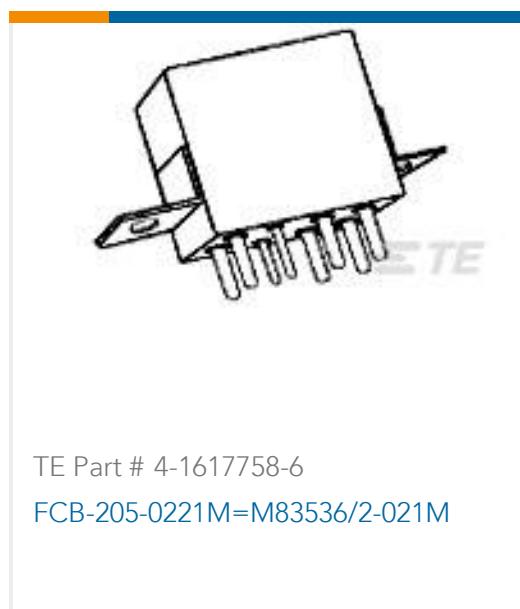
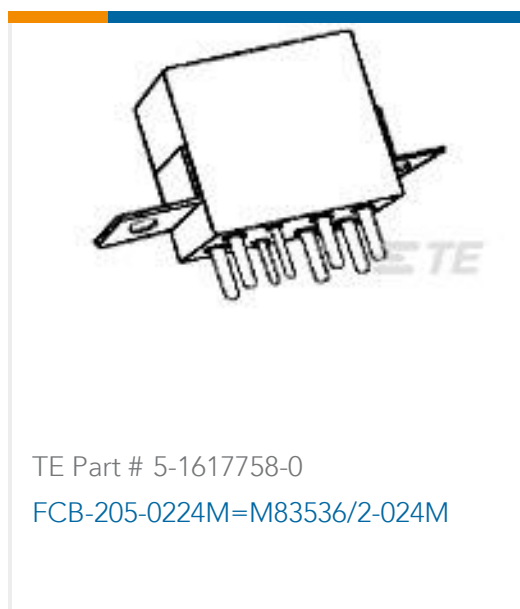
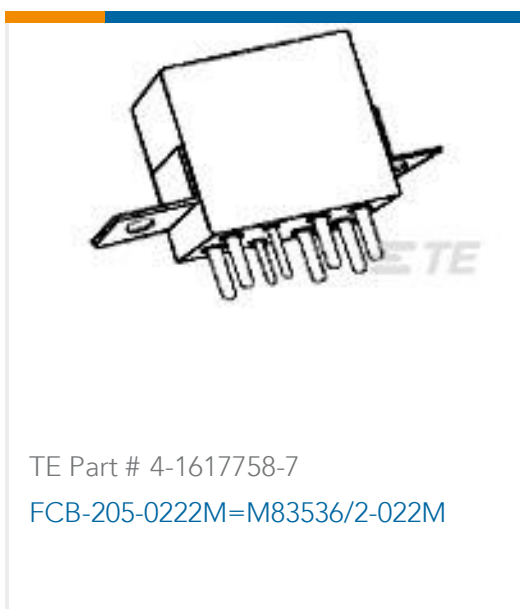
For compliance documentation, visit the product page on TE.com>

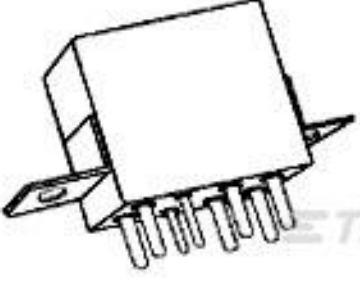
EU RoHS Directive 2011/65/EU	Not Compliant
EU ELV Directive 2000/53/EC	Not Compliant
China RoHS 2 Directive MIIT Order No 32, 2016	Restricted Materials Above Threshold
EU REACH Regulation (EC) No. 1907/2006	Current ECHA Candidate List: JAN 2021 (211) Candidate List Declared Against: JAN 2021 (211) Does not contain REACH SVHC
Halogen Content	Low Halogen - Br, Cl, F, I < 900 ppm per homogenous material. Also BFR/CFR/PVC Free
Solder Process Capability	Not applicable for solder process capability

Product Compliance Disclaimer

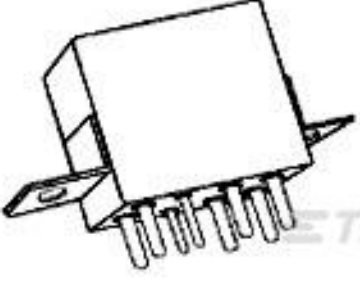
This information is provided based on reasonable inquiry of our suppliers and represents our current actual knowledge based on the information they provided. This information is subject to change. The part numbers that TE has identified as EU RoHS compliant have a maximum concentration of 0.1% by weight in homogenous materials for lead, hexavalent chromium, mercury, PBB, PBDE, DBP, BBP, DEHP, DIBP, and 0.01% for cadmium, or qualify for an exemption to these limits as defined in the Annexes of Directive 2011/65/EU (RoHS2). Finished electrical and electronic equipment products will be CE marked as required by Directive 2011/65/EU. Components may not be CE marked. Additionally, the part numbers that TE has identified as EU ELV compliant have a maximum concentration of 0.1% by weight in homogenous materials for lead, hexavalent chromium, and mercury, and 0.01% for cadmium, or qualify for an exemption to these limits as defined in the Annexes of Directive 2000/53/EC (ELV). Regarding the REACH Regulation, the information TE provides on SVHC in articles for this part number is based on the latest European Chemicals Agency (ECHA) 'Guidance on requirements for substances in articles' posted at this URL: <https://echa.europa.eu/guidance-documents/guidance-on-reach>

**Compatible Parts**

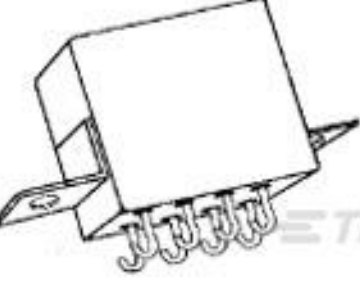




TE Part # 3-1617758-9  
FCB-205-0206M=M83536/2-006M



TE Part # 6-1617758-9  
FCB-205-AY4



TE Part # 4-1617758-0  
FCB-205-0208M=M83536/2-008M



TE Part # 1-1617785-4  
FCB-205-0134L=M83536/1-034L



TE Part # 1617785-1  
FCB-205-0127L=M83536/1-027L



TE Part # 1617785-7  
FCB-205-0130M=M83536/1-030M



TE Part # 2-1617758-9  
FCB-205-0121M=M83536/1-021M



TE Part # 2-1617786-7  
FCB-205-0204L=M83536/2-004L



TE Part # 3-1617786-5  
FCB-205-0209L=M83536/2-009L



TE Part # 4-1617786-1  
FCB-205-0212M=M83536/2-012M



TE Part # 4-1617786-7  
FCB-205-0216L=M83536/2-016L



TE Part # 5-1617786-0  
FCB-205-0218L=M83536/2-018L



TE Part # 5-1617786-7  
FCB-205-0226L=M83536/2-026L



TE Part # 6-1617784-3  
FCB-205-0102L=M83536/1-002L



TE Part # 6-1617784-9  
FCB-205-0105L=M83536/1-005L



TE Part # 6-1617786-5  
FCB-205-0232M=M83536/2-032M

### Customers Also Bought



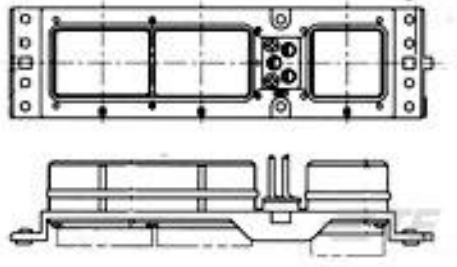
TE Part #588042-000  
202F263-51-22/86-0



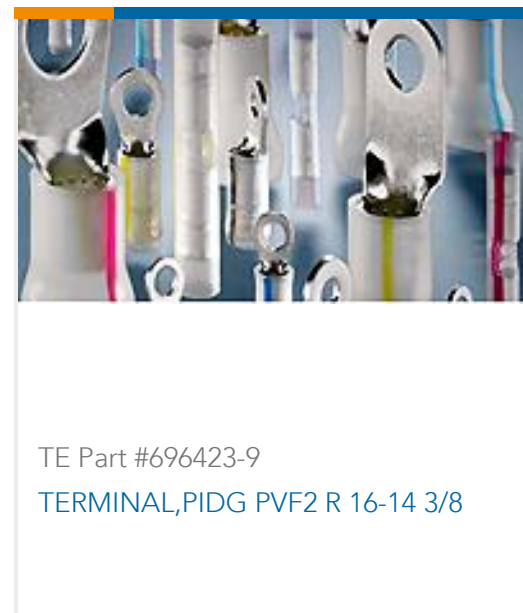
TE Part #YDTS24W25-43PNV001  
RECP ASSY



TE Part #2-1617029-0  
HFW1130L01M = M39016/6-132M



TE Part #1663557-1  
PLUG ASSY, SZ 2, ARINC 600



## Documents

### CAD Files

#### 3D PDF

3D

#### Customer View Model

[ENG\\_CVM\\_CVM\\_7-1617787-5\\_A.2d\\_dxf.zip](#)

English

#### Customer View Model

[ENG\\_CVM\\_CVM\\_7-1617787-5\\_A.3d\\_igs.zip](#)

English

#### Customer View Model

[ENG\\_CVM\\_CVM\\_7-1617787-5\\_A.3d\\_stp.zip](#)

English

By downloading the CAD file I accept and agree to the [Terms and Conditions](#) of use.

### Datasheets & Catalog Pages

[5-1773450-5\\_sec5\\_FCB-405](#)

English

# Mouser Electronics

Authorized Distributor

Click to View Pricing, Inventory, Delivery & Lifecycle Information:

[TE Connectivity:](#)

[7-1617787-5](#)