



Kilovac | Kilovac K41

TE Internal #: 3-1618239-2

Kilovac K41, High Voltage Relays, 5kVDC Contact Voltage Rating, High Voltage Relay Contact Arrangement 1 Form B, SPST-NC, 1 N /C, Bus Wires

[View on TE.com >](#)

Relays, Contactors & Switches > Relays > High Voltage Relays



Contact Voltage Rating: **5 kVDC**

High Voltage Relay Contact Arrangement: **1 Form B, SPST-NC, 1 N/C**

High Voltage Connection (Coil): **Bus Wires**

High Voltage Connection (Power): **High Voltage Tabs**

Economizer: **Without**

Features

Product Type Features

RF Rated	Yes
Product Type	Relay
Relay Type	High Voltage

Configuration Features

Economizer	Without
Power Switching	Yes

Electrical Characteristics

Contact Voltage Rating	5 kVDC
High Voltage Relay Voltage (Max)	12 VDC
High Voltage Relay Coil Voltage Rating	12 VDC
High Voltage Relay Coil Resistance	70 Ω

Contact Features

High Voltage Relay Contact Arrangement	1 Form B, SPST-NC, 1 N/C
Auxiliary Contacts	Without
High Voltage Relay Contact Current Rating	30 A

Termination Features

High Voltage Connection (Coil)	Bus Wires
High Voltage Connection (Power)	High Voltage Tabs



Termination Style	Bus Wires
-------------------	-----------

Mechanical Attachment

High Voltage Relay Mounting Type	Non-Flanged
----------------------------------	-------------

Product Compliance

[For compliance documentation, visit the product page on TE.com>](#)

EU RoHS Directive 2011/65/EU	Compliant
------------------------------	-----------

EU ELV Directive 2000/53/EC	Not Compliant
-----------------------------	---------------

China RoHS 2 Directive MIIT Order No 32, 2016	No Restricted Materials Above Threshold
---	---

EU REACH Regulation (EC) No. 1907/2006	Current ECHA Candidate List: JAN 2021 (211) Candidate List Declared Against: JAN 2021 (211) Does not contain REACH SVHC
--	---

Halogen Content	Low Halogen - Br, Cl, F, I < 900 ppm per homogenous material. Also BFR/CFR/PVC Free
-----------------	---

Solder Process Capability	Not lead free process capable
---------------------------	-------------------------------

Product Compliance Disclaimer

This information is provided based on reasonable inquiry of our suppliers and represents our current actual knowledge based on the information they provided. This information is subject to change. The part numbers that TE has identified as EU RoHS compliant have a maximum concentration of 0.1% by weight in homogenous materials for lead, hexavalent chromium, mercury, PBB, PBDE, DBP, BBP, DEHP, DIBP, and 0.01% for cadmium, or qualify for an exemption to these limits as defined in the Annexes of Directive 2011/65/EU (RoHS2). Finished electrical and electronic equipment products will be CE marked as required by Directive 2011/65/EU. Components may not be CE marked. Additionally, the part numbers that TE has identified as EU ELV compliant have a maximum concentration of 0.1% by weight in homogenous materials for lead, hexavalent chromium, and mercury, and 0.01% for cadmium, or qualify for an exemption to these limits as defined in the Annexes of Directive 2000/53/EC (ELV). Regarding the REACH Regulation, the information TE provides on SVHC in articles for this part number is based on the latest European Chemicals Agency (ECHA) 'Guidance on requirements for substances in articles' posted at this URL: <https://echa.europa.eu/guidance-documents/guidance-on-reach>

Compatible Parts

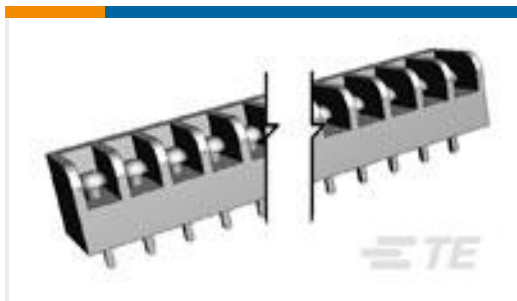
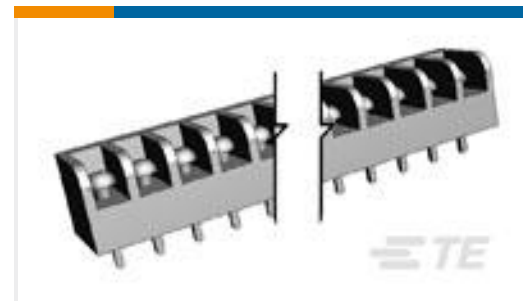
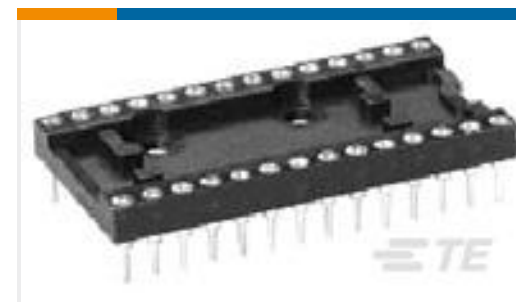


Also in the Series | Kilovac K41



High Voltage Relays(38)

Customers Also Bought

TE Part #3-1546119-7
3PCV-18-006TE Part #4-1546119-2
3PCV-26-006TE Part #1-846290-1
LGH-4 LEAD ELECT SGL MLD ENDTE Part #1825013-1
MRD1004=7MM ROT DIP, BCD**ANVIL** REPRESENTATION ONLYTE Part #2-1803055-6
ANVIL, COMBINATION**CRIMPER** REPRESENTATION ONLYTE Part #8-1633965-5
CRIMPER, INSULATION OTE Part #5-1618240-5
K45C234=RELAY, VACUUM, SPDTTE Part #1571551-3
514-AG12D-ES-LF=500 DIP,SN/SN

Documents

CAD Files

3D PDF

3D

Customer View Model

[ENG_CVM_CVM_3-1618239-2_U.2d_dxf.zip](#)

English

Customer View Model

[ENG_CVM_CVM_3-1618239-2_U.3d_igs.zip](#)

English

Customer View Model

[ENG_CVM_CVM_3-1618239-2_U.3d_stp.zip](#)

English

By downloading the CAD file I accept and agree to the [Terms and Conditions](#) of use.

Datasheets & Catalog Pages

[5-1773450-5_sec7_K41](#)

English



Mouser Electronics

Authorized Distributor

Click to View Pricing, Inventory, Delivery & Lifecycle Information:

[TE Connectivity:](#)

[3-1618239-2](#)