

2040340-1 ✓ ACTIVE

TE Internal #: 2040340-1

Connector Assembly, Plug, Wire-to-Wire, 21 Position, 1.5mm [.059in] Centerline, Crimp/IDC, 2 Row, Row-to-Row Spacing .311 in [7.9 mm]

[View on TE.com >](#)



Connectors > PCB Connectors > Wire-to-Board Connectors > Wire-to-Board Connector Assemblies & Housings



Connector Product Type: **Connector Assembly**

Connector & Housing Type: **Plug**

Connector System: **Wire-to-Wire**

Number of Positions: **21**

Centerline (Pitch): **1.5 mm [.059 in]**

Features

Product Type Features

Connector Product Type	Connector Assembly
Connector & Housing Type	Plug
Connector System	Wire-to-Wire
Sealable	No
Connector & Contact Terminates To	Wire & Cable

Configuration Features

Number of Positions	21
Number of Rows	2

Body Features

Drawer Style	Hybrid, Mini CT, Snap-Fit
--------------	---------------------------

Contact Features

Contact Base Material	Phosphor Bronze
Contact Current Rating (Max)	12 A

Termination Features

Termination Method to Wire & Cable	Crimp/IDC
------------------------------------	-----------

Mechanical Attachment

Mating Retention	Without
------------------	---------



Connector Mounting Type	Panel Mount
-------------------------	-------------

Housing Features

Housing Material	PBT GF
Centerline (Pitch)	1.5 mm[.059 in]
Housing Color	Black

Dimensions

Connector Length	45.5 mm
Row-to-Row Spacing	7.9 mm[.311 in]

Usage Conditions

Operating Temperature Range	-30 – 105 °C[-22 – 221 °F]
-----------------------------	----------------------------

Operation/Application

Circuit Application	Power & Signal
---------------------	----------------

Industry Standards

UL Flammability Rating	UL 94V-0
------------------------	----------

Packaging Features

Packaging Method	Box & Tray, Tray
------------------	------------------

Other

Comment	See drawing for additional product information.
---------	---

Product Compliance

[For compliance documentation, visit the product page on TE.com>](#)

EU RoHS Directive 2011/65/EU	Compliant
EU ELV Directive 2000/53/EC	Compliant
China RoHS 2 Directive MIIT Order No 32, 2016	No Restricted Materials Above Threshold
EU REACH Regulation (EC) No. 1907/2006	Current ECHA Candidate List: JAN 2021 (211) Candidate List Declared Against: JAN 2021 (211) Does not contain REACH SVHC
Halogen Content	Not Low Halogen - contains Br or Cl > 900 ppm.
Solder Process Capability	Not applicable for solder process capability



Product Compliance Disclaimer

This information is provided based on reasonable inquiry of our suppliers and represents our current actual knowledge based on the information they provided. This information is subject to change. The part numbers that TE has identified as EU RoHS compliant have a maximum concentration of 0.1% by weight in homogenous materials for lead, hexavalent chromium, mercury, PBB, PBDE, DBP, BBP, DEHP, DIBP, and 0.01% for cadmium, or qualify for an exemption to these limits as defined in the Annexes of Directive 2011/65/EU (RoHS2). Finished electrical and electronic equipment products will be CE marked as required by Directive 2011/65/EU. Components may not be CE marked. Additionally, the part numbers that TE has identified as EU ELV compliant have a maximum concentration of 0.1% by weight in homogenous materials for lead, hexavalent chromium, and mercury, and 0.01% for cadmium, or qualify for an exemption to these limits as defined in the Annexes of Directive 2000/53/EC (ELV). Regarding the REACH Regulation, the information TE provides on SVHC in articles for this part number is based on the latest European Chemicals Agency (ECHA) 'Guidance on requirements for substances in articles' posted at this URL: <https://echa.europa.eu/guidance-documents/guidance-on-reach>

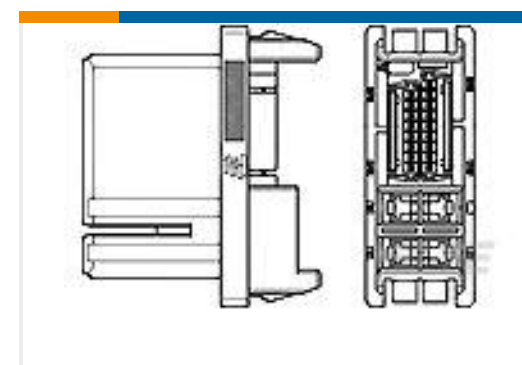
Compatible Parts



TE Part # 1-1981377-2
HYBRID MINI DRAWER



TE Part # 1981377-2
HYBRID MINI DRAWER

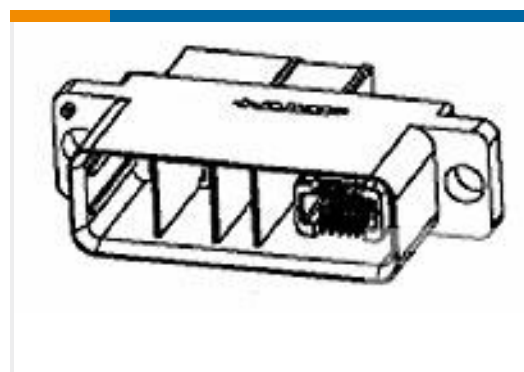


TE Part # 2040339-1
REC ASSY MINI CT HYBRID DRAWER
SLIM TYPE



TE Part # 2040339-2
REC ASSY MINI CT HYBRID DRAWER
SLIM TYPE

Customers Also Bought



TE Part #1-292237-0
1.5 MINI CT H/CUR. HYBRID DRAW



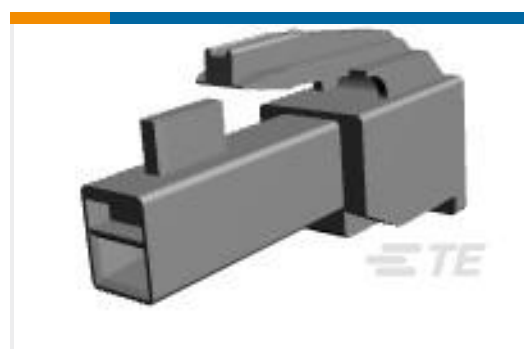
TE Part #1-353581-2
DRAWER CONN TAB CONT
REREELING



TE Part #173635-1
RING TERMINAL 22-16 AWG 0.622X11.3
TPCP



TE Part #175404-1
20P HIGH CURRENT DRAWER ASSY



TE Part #176270-4
UNIV POWER PLUG HSG 1P F/H



TE Part #176281-4
UNIV POWER CAP HSG 1P F/H



TE Part #1981377-2
HYBRID MINI DRAWER



TE Part #1981379-1
HYBRID MINI DRAWER



Documents

Product Drawings

PLUG ASSY MINI CT HYBRID DRAWER SLIMTYPE

Japanese

CAD Files

3D PDF

3D

Customer View Model

[ENG_CVM_CVM_2040340-1_A.2d_dxf.zip](#)

English

Customer View Model

[ENG_CVM_CVM_2040340-1_A.3d_igs.zip](#)

English

Customer View Model

[ENG_CVM_CVM_2040340-1_A.3d_stp.zip](#)

English

By downloading the CAD file I accept and agree to the [Terms and Conditions](#) of use.

Datasheets & Catalog Pages

Low Power Drawer Connectors QRG

English

Product Specifications

Mini CT Hybrid Drawer Connector, Slim Type

Japanese

Product Specification

Japanese

Product Environmental Compliance

Product Compliance

English

Product Compliance

English

Instruction Sheets

1.5mm Pitch Mini CT Hybrid Drawer Connector Slim Type

2040340-1

Connector Assembly, Plug, Wire-to-Wire, 21 Position, 1.5mm [.059in] Centerline,
Crimp/IDC, 2 Row, Row-to-Row Spacing .311 in [7.9 mm]



Japanese

[Instruction Sheet \(non U.S.\)](#)

Japanese

Mouser Electronics

Authorized Distributor

Click to View Pricing, Inventory, Delivery & Lifecycle Information:

[TE Connectivity:](#)

[2040340-1](#)