



AMP

TE Internal #: 1804700-1

Portable Crimp Tools, TE Certification, Hydraulic (10,000 psi, 110v),
Base Power Unit (No Crimp Tooling)

[View on TE.com >](#)

Application Tooling > Portable Crimp Tools



TE Certification: **Yes**

Power Technology Type: **Hydraulic (10,000 psi, 110v)**

Tooling Type: **Base Power Unit (No Crimp Tooling)**

Features

Other

TE Certification	Yes
Power Technology Type	Hydraulic (10,000 psi, 110v)
Tooling Type	Base Power Unit (No Crimp Tooling)

Product Compliance

[For compliance documentation, visit the product page on TE.com>](#)

EU RoHS Directive 2011/65/EU	Out of Scope
EU ELV Directive 2000/53/EC	Out of Scope
China RoHS 2 Directive MIIT Order No 32, 2016	Not reviewed for China RoHS compliance
EU REACH Regulation (EC) No. 1907/2006	Current ECHA Candidate List: JAN 2021 (211) Candidate List Declared Against: JUN 2016 (169) SVHC > Threshold: Not Yet Reviewed
Halogen Content	Not Yet Reviewed for halogen content
Solder Process Capability	Not applicable for solder process capability

Product Compliance Disclaimer

This information is provided based on reasonable inquiry of our suppliers and represents our current actual knowledge based on the information they provided. This information is subject to change. The part numbers that TE has identified as EU RoHS compliant have a maximum concentration of 0.1% by weight in homogenous materials for lead, hexavalent chromium, mercury, PBB, PBDE, DBP, BBP, DEHP, DIBP, and 0.01% for cadmium, or qualify for an exemption to these limits as defined in the Annexes of Directive 2011/65/EU (RoHS2). Finished electrical and electronic equipment products will be CE marked as required by Directive 2011/65/EU. Components may not be CE marked. Additionally, the part



numbers that TE has identified as EU ELV compliant have a maximum concentration of 0.1% by weight in homogenous materials for lead, hexavalent chromium, and mercury, and 0.01% for cadmium, or qualify for an exemption to these limits as defined in the Annexes of Directive 2000/53/EC (ELV). Regarding the REACH Regulations, TE's information on SVHC in articles for this part number is still based on the European Chemical Agency (ECHA) 'Guidance on requirements for substances in articles' (Version: 2, April 2011), applying the 0.1% weight on weight concentration threshold at the finished product level. TE is aware of the European Court of Justice ruling of September 10th, 2015 also known as O5A (Once An Article Always An Article) stating that, in case of 'complex object', the threshold for a SVHC must be applied to both the product as a whole and simultaneously to each of the articles forming part of its composition. TE has evaluated this ruling based on the new ECHA "Guidance on requirements for substances in articles" (June 2017, version 4.0) and will be updating its statements accordingly.

Compatible Parts



TE Part # 1490747-1
HYP10 HEAVY DUTY 12T HEAD



TE Part # 1583662-1
HYP10 6FT HOSE



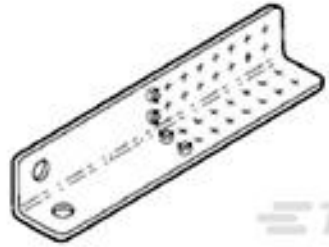
TE Part # 1583662-3
HYP10 20FT HOSE



TE Part # 1752786-1
HYP10 4/0-1000MCM 26T HEAD



TE Part # 1901776-1
HYP10 15FT HAND CTRL



TE Part # 2-329491-2
SPlice,TERMI-FOIL 12 IN.



TE Part # 1901777-1
HYP10 21FT HAND CTRL



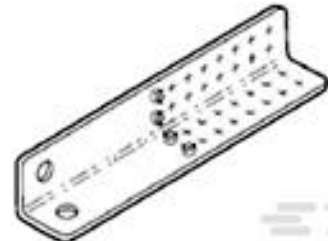
TE Part # 68284-1
HYP10 3PEDAL FOOT CTRL



TE Part # 1583662-2
HYP10 10FT HOSE



TE Part # 1901775-1
HYP10 7FT HAND CTRL



TE Part # 2-329490-2
SPlice,TERMI-FOIL 12 IN.




TE Part # 2-329491-3
SPlice,TERMI-FOIL 15 IN.



TE Part # 321866-1
STRATO-THERM, HR 1/0 1/4 NIPL



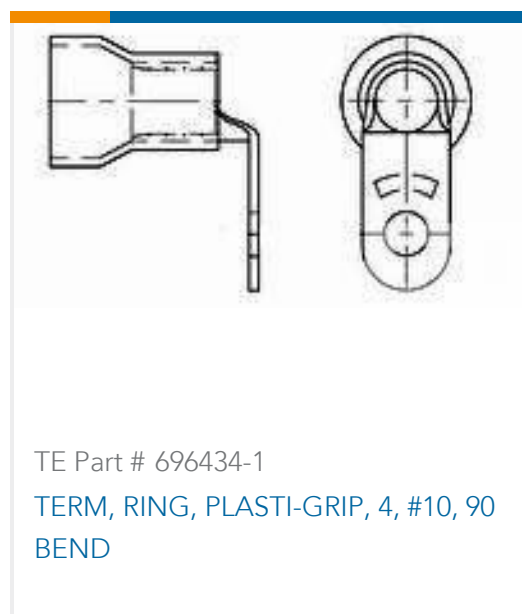
TE Part # 321874-2
STRATO-THERM, HR 3/0 5/16 NIPL



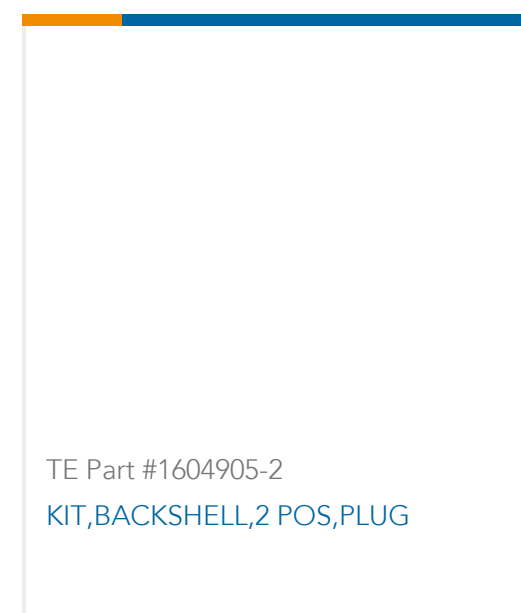
TE Part # 321875-1
STRATO-THERM, HR 3/0 3/8 NIPL



TE Part # 321880-1
STRATO-THERM, HR 4/0 1/2 NIPL



Customers Also Bought



Documents

Datasheets & Catalog Pages

[AT-Hydraulic Crimp Tooling Solutions-1654519](#)

English

[Crimp Term Whitepaper-Use the Right Tool 1-1773953-1](#)

English

[CRIMPING WHERE FORM MEETS FUNCTION](#)

English

[Bottoming Dies](#)

English

Product Environmental Compliance

[Safety Datasheet](#)

English

Instruction Sheets

[Heavy-Duty Electric Hydraulic Pumps 1804700-1 and 1804700-2](#)

[Heavy-Duty Electric Hydraulic Pumps 1804700-1 and 1804700-2](#)



German

[Heavy-Duty Electric Hydraulic Pumps 1804700-1 and 1804700-2](#)

French

[Heavy-Duty Electric Hydraulic Pumps 1804700-1 and 1804700-2](#)

[Hydraulic Crimping Systems](#)

English

[Hydraulic Crimping Systems](#)

French

Mouser Electronics

Authorized Distributor

Click to View Pricing, Inventory, Delivery & Lifecycle Information:

[TE Connectivity:](#)

[1804700-1](#)