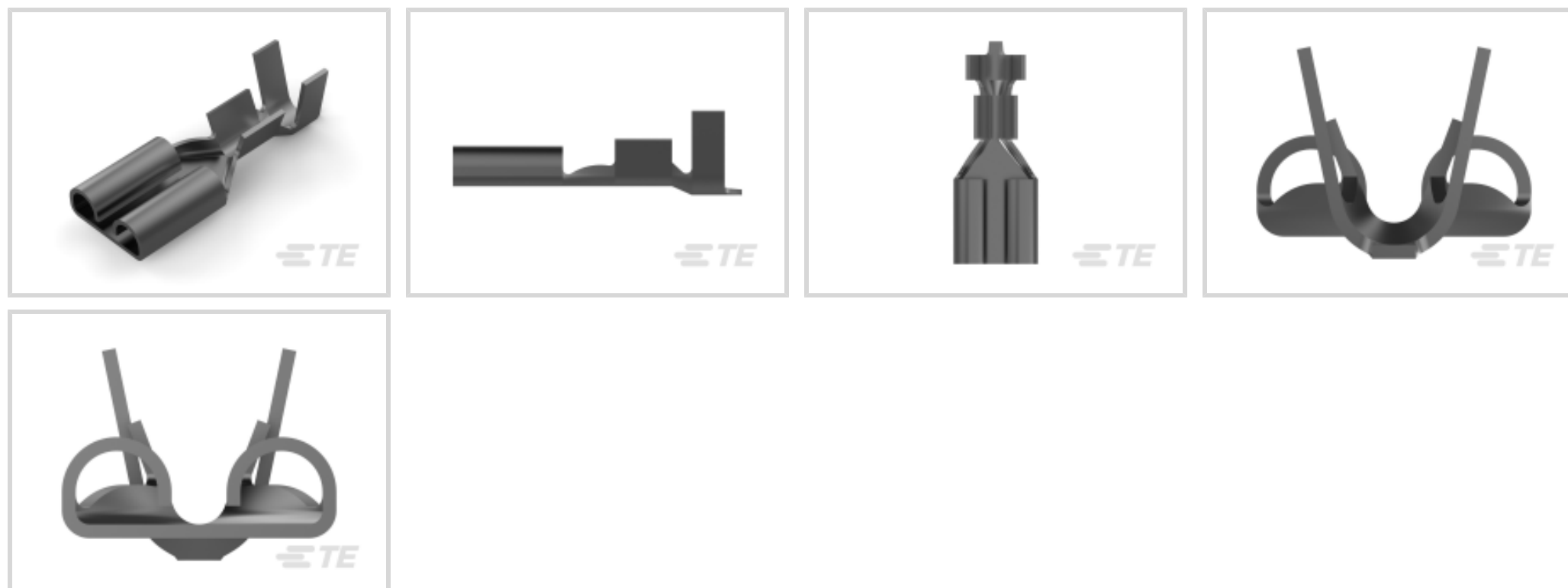


FASTON 205

TE Internal #: 170122-2

TE Internal Description: 250 FASTON,REC.,22-18 AWG,TPPB

[View on TE.com >](#)



Product Compliance

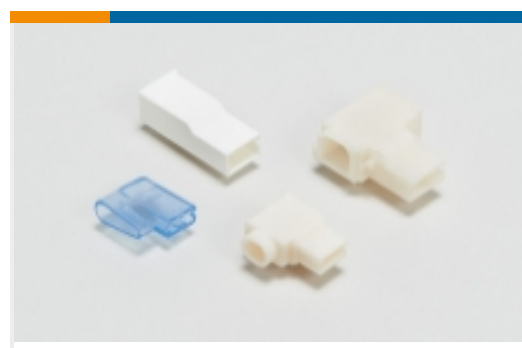
[For compliance documentation, visit the product page on TE.com>](#)

EU RoHS Directive 2011/65/EU	Compliant
EU ELV Directive 2000/53/EC	Not Yet Reviewed
China RoHS 2 Directive MIIT Order No 32, 2016	No Restricted Materials Above Threshold
EU REACH Regulation (EC) No. 1907/2006	Current ECHA Candidate List: JUL 2021 (219) Candidate List Declared Against: JAN 2021 (211) SVHC > Threshold: Not Yet Reviewed
Halogen Content	Low Halogen - Br, Cl, F, I < 900 ppm per homogenous material. Also BFR/CFR/PVC Free
Solder Process Capability	Not applicable for solder process capability

Product Compliance Disclaimer

This information is provided based on reasonable inquiry of our suppliers and represents our current actual knowledge based on the information they provided. This information is subject to change. The part numbers that TE has identified as EU RoHS compliant have a maximum concentration of 0.1% by weight in homogenous materials for lead, hexavalent chromium, mercury, PBB, PBDE, DBP, BBP, DEHP, DIBP, and 0.01% for cadmium, or qualify for an exemption to these limits as defined in the Annexes of Directive 2011/65/EU (RoHS2). Finished electrical and electronic equipment products will be CE marked as required by Directive 2011/65/EU. Components may not be CE marked. Additionally, the part numbers that TE has identified as EU ELV compliant have a maximum concentration of 0.1% by weight in homogenous materials for lead, hexavalent chromium, and mercury, and 0.01% for cadmium, or qualify for an exemption to these limits as defined in the Annexes of Directive 2000/53/EC (ELV). Regarding the REACH Regulation, the information TE provides on SVHC in articles for this part number is based on the latest European Chemicals Agency (ECHA) 'Guidance on requirements for substances in articles' posted at this URL: <https://echa.europa.eu/guidance-documents/guidance-on-reach>

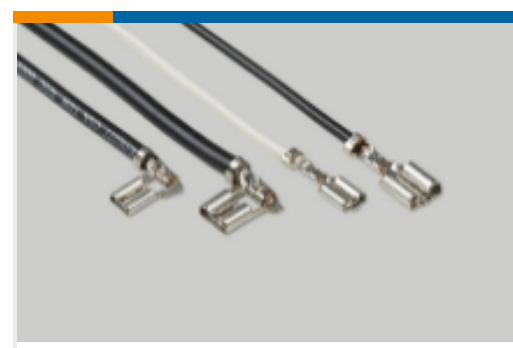
Also in the Series | FASTON 205



Crimp Terminal Housings(3)



PCB Terminals(9)

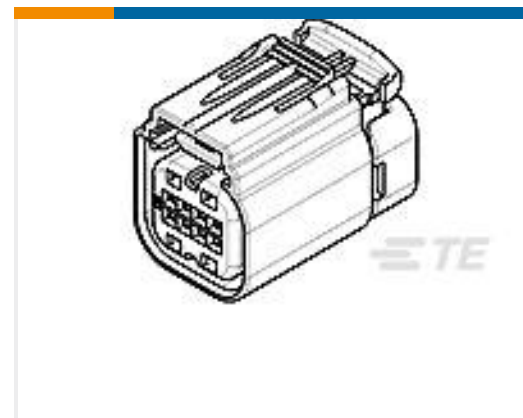


Quick Disconnects(36)

Customers Also Bought



TE Part #9-1452415-7
58 POS MIXED, MCON CONNECTOR



TE Part #1411001-2
SEALED HARN ASSY W/O CPA KEY B



TE Part #170033-1
110 FASTON,REC.,16-20 AWG,BR



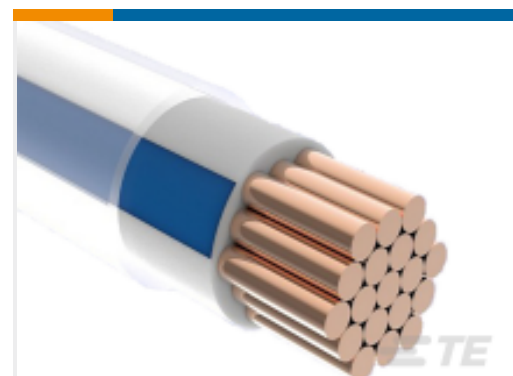
TE Part #2035037-1
WIRE DRESS ASSY, 96P LOW PROFI



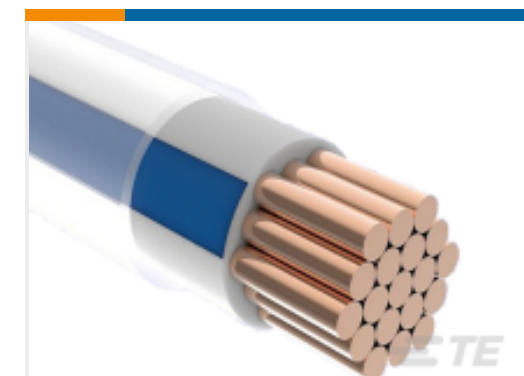
TE Part #776682-2
Plug Kit, RG-59, Fakra, 180 Deg,
Unassem



TE Part #C388063001
ACW0219-1.50-48(NS)



TE Part #1256643001
ACW0219-1.50-54(NS)



TE Part #6189843001
ACW0219-2.50-7(NS)



TE Part #2525596025
RBK-ILS-125-NR1-0-80MM



TE Part #184240-1
1 POS. PLUG ASSY, KEY B

Documents

Product Drawings

250 FASTON,REC.,22-18 AWG,TPPB

English

CAD Files

3D PDF

3D

Customer View Model

ENG_CVM_CVM_170122-2_E_c-170122-2-e.2d_dxf.zip



English

Customer View Model

[ENG_CVM_CVM_170122-2_E_c-170122-2-e.3d_igs.zip](#)

English

Customer View Model

[ENG_CVM_CVM_170122-2_E_c-170122-2-e.3d_stp.zip](#)

English

By downloading the CAD file I accept and agree to the [Terms and Conditions](#) of use.

Product Specifications

[Application Specification](#)

English

Product Environmental Compliance

[Product Compliance](#)

English

[Product Compliance](#)

English

Agency Approvals

[UL Report](#)

English

Mouser Electronics

Authorized Distributor

Click to View Pricing, Inventory, Delivery & Lifecycle Information:

[TE Connectivity:](#)

[170122-2](#)