

V23100V6003A112 ✓ ACTIVE



Axicom | Axicom Reed Relay V23100 -V4

TE Internal #: 1393803-8

Axicom Reed Relay V23100 -V4, Power Relays, Standard, 149mW
Coil Power Rating DC, 3860Ω Coil Resistance, 24VDC Coil Voltage
Rating

[View on TE.com >](#)

Relays, Contactors & Switches > Relays > Power Relays



Power Relay Type: **Standard**

Coil Power Rating DC: **149 mW**

Coil Resistance: **3860 Ω**

Coil Voltage Rating: **24 VDC**

Contact Arrangement: **1 Form A (NO) + 1 Form B (NC)**

Features

Product Type Features

Power Relay Type	Standard
------------------	----------

Electrical Characteristics

Coil Power Rating DC	149 mW
Coil Resistance	3860 Ω
Coil Voltage Rating	24 VDC
Contact Switching Voltage (Max)	100 VDC
Contact Voltage Rating	100 VDC

Contact Features

Contact Arrangement	1 Form A (NO) + 1 Form B (NC)
Contact Current Rating (Max)	.75 A
Contact Number of Poles	4
Relay Terminal Type	PCB-THT

Mechanical Attachment

Relay Mounting Type	Printed Circuit Board
---------------------	-----------------------

Product Compliance

[For compliance documentation, visit the product page on TE.com>](#)

EU RoHS Directive 2011/65/EU	Compliant
------------------------------	-----------



EU ELV Directive 2000/53/EC	Compliant
China RoHS 2 Directive MIIT Order No 32, 2016	No Restricted Materials Above Threshold
EU REACH Regulation (EC) No. 1907/2006	Current ECHA Candidate List: JUL 2021 (219) Candidate List Declared Against: JUL 2021 (219) Does not contain REACH SVHC
Halogen Content	Low Halogen - Br, Cl, F, I < 900 ppm per homogenous material. Also BFR/CFR/PVC Free
Solder Process Capability	Wave solder capable to 265°C

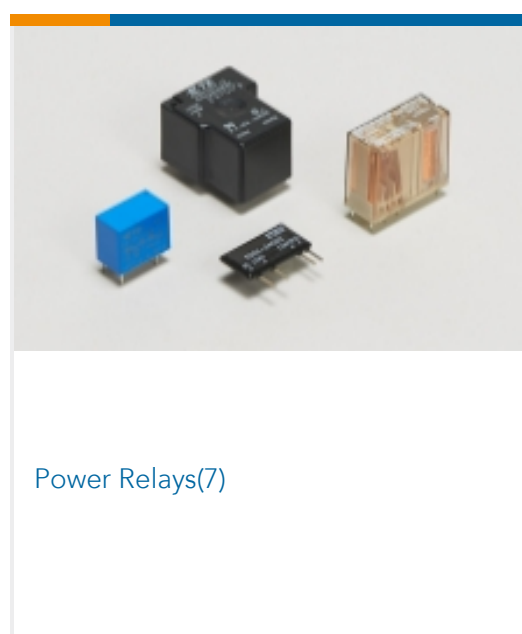
Product Compliance Disclaimer

This information is provided based on reasonable inquiry of our suppliers and represents our current actual knowledge based on the information they provided. This information is subject to change. The part numbers that TE has identified as EU RoHS compliant have a maximum concentration of 0.1% by weight in homogenous materials for lead, hexavalent chromium, mercury, PBB, PBDE, DBP, BBP, DEHP, DIBP, and 0.01% for cadmium, or qualify for an exemption to these limits as defined in the Annexes of Directive 2011/65/EU (RoHS2). Finished electrical and electronic equipment products will be CE marked as required by Directive 2011/65/EU. Components may not be CE marked. Additionally, the part numbers that TE has identified as EU ELV compliant have a maximum concentration of 0.1% by weight in homogenous materials for lead, hexavalent chromium, and mercury, and 0.01% for cadmium, or qualify for an exemption to these limits as defined in the Annexes of Directive 2000/53/EC (ELV). Regarding the REACH Regulation, the information TE provides on SVHC in articles for this part number is based on the latest European Chemicals Agency (ECHA) 'Guidance on requirements for substances in articles' posted at this URL: <https://echa.europa.eu/guidance-documents/guidance-on-reach>

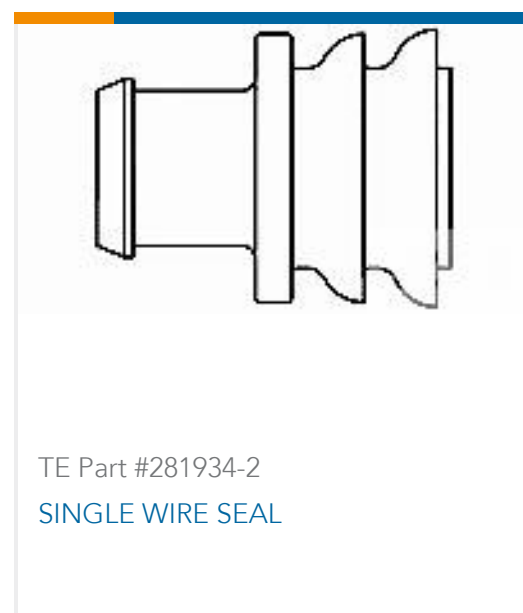
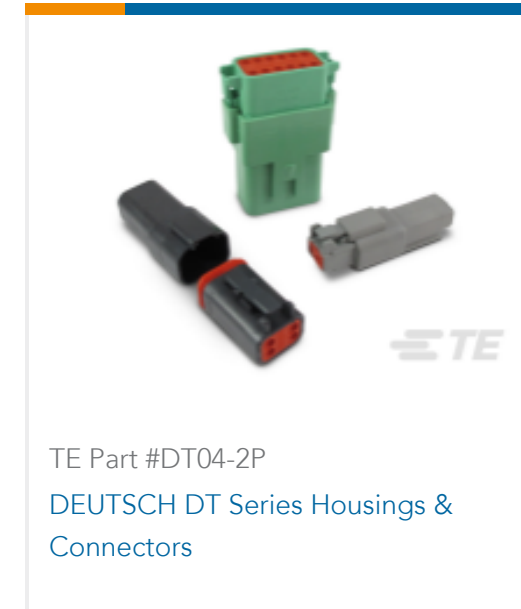
Compatible Parts



Also in the Series | Axicom Reed Relay V23100 -V4



Customers Also Bought



Documents

CAD Files

3D PDF

3D

Customer View Model

[ENG_CVM_CVM_1393803-8_A.2d_dxf.zip](#)

English

Customer View Model

[ENG_CVM_CVM_1393803-8_A.3d_igs.zip](#)

English

Customer View Model

[ENG_CVM_CVM_1393803-8_A.3d_stp.zip](#)

English

By downloading the CAD file I accept and agree to the [Terms and Conditions](#) of use.

Datasheets & Catalog Pages

Reed Relay V23100-V6

English

Product Specifications

Definitions, Handling, Processing, Testing and Use of Relays

English

Product Specification

English

Mouser Electronics

Authorized Distributor

Click to View Pricing, Inventory, Delivery & Lifecycle Information:

[TE Connectivity:](#)

[1393803-8](#)