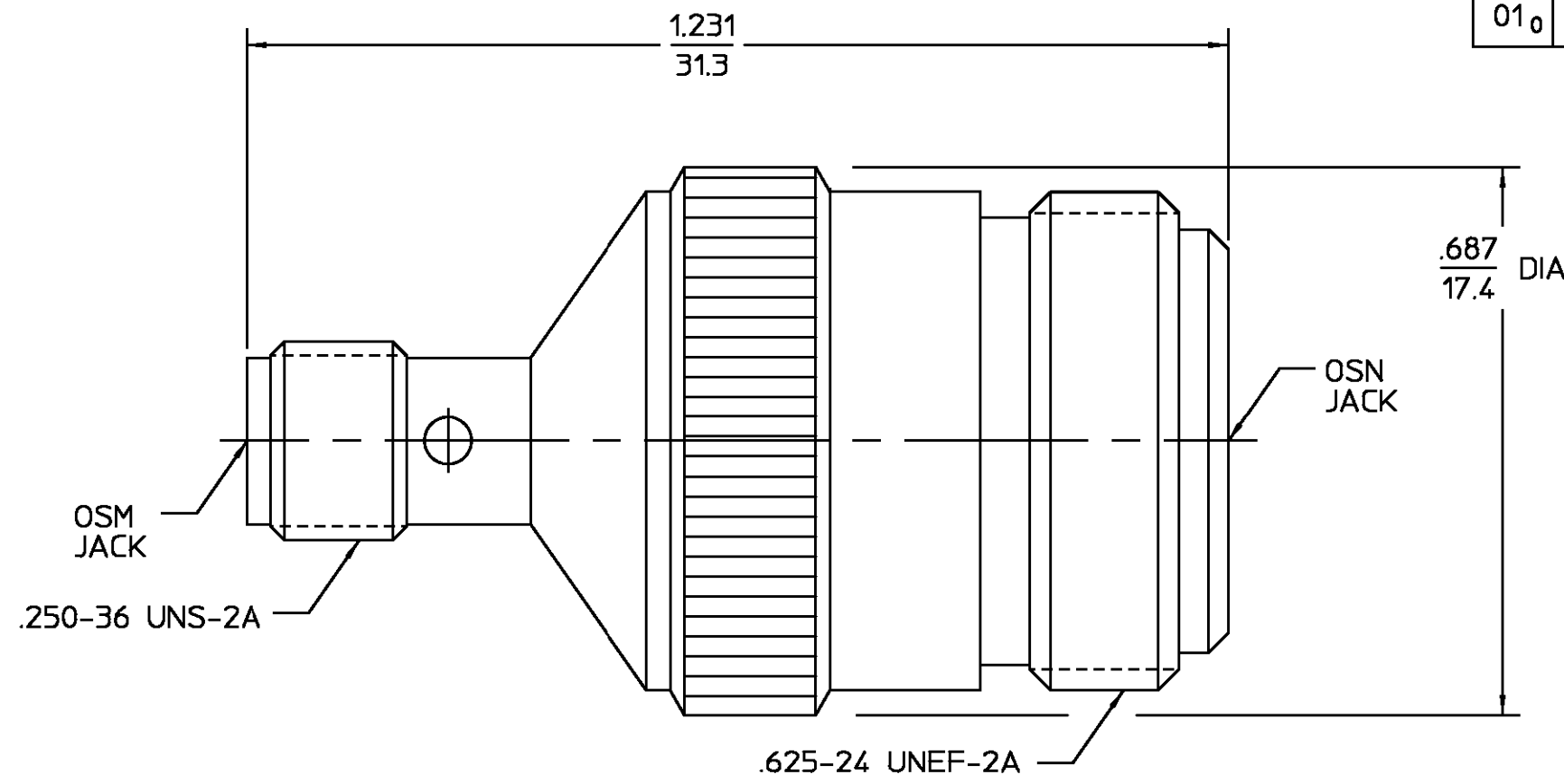


REVISIONS			
REV	DESCRIPTION	DATE	APPROVED
01 <sub>0</sub>	RELEASED	03/17/95	<i>JPD</i>



**COPY IN PUERTO RICO  
DESIGN CONTROL REQUIRED**

HOUSING	STAINLESS STEEL PER ASTM-A484 AND ASTM-A582, TYPE 303	PASSIVATE PER QQ-P-35
DIELECTRIC	TFE FLUOROCARBON PER ASTM-D-1457	N/A
CENTER CONTACT	BERYLLIUM COPPER PER ASTM-B-196 OR ASTM-B-197, ALLOY C17300, CONDITION H	GOLD PLATE PER MIL-G-45204
COMPONENT	MATERIAL	FINISH
UNLESS OTHERWISE SPECIFIED DIMENSIONS ARE IN INCHES		
FRAC. ± 1/64	DEC. ± .005	ANGLES ± 1°
DRAWN BY <i>J.Davis</i> DATE 03/17/95		AMP Incorporated
CHECKED BY		140 Fourth Avenue
APPD BY		Waltham, MA 02451-7599
USE ASSY PROCEDURE		TITLE OSM JACK TO OSN JACK ADAPTER
NO. A.P. N/A		SIZE B CODE IDENT NO. 26805 1250-1404-00 REV 01 <sub>0</sub>
		SCALE 5 : 1 N/A SHEET 1 OF 1

NOTES:  
1. CAPTURED CENTER CONTACT

.XXX = in  
XX.X = mm

These drawings and specifications are the property of M/A COM Interconnect Div. and shall not be reproduced or copied or used in whole or in part as the basis for the manufacture or sale of item(s) without written permission.

CUSTOMER DRAWING

AMP PART # 1046257-1  
SHEET 1 OF 1 REV A

# Mouser Electronics

Authorized Distributor

Click to View Pricing, Inventory, Delivery & Lifecycle Information:

[TE Connectivity:](#)

[1250-1404-00](#)