

# TERMINAL, T-N R 2 1/2 ✓ ACTIVE

## TERMINYL

TE Part # 324055

TE Internal #: 324055

Mil-Spec: [MS25036-128]

[View on TE.com >](#)



Terminals & Splices > Rings & Spades



Wire Size: 52600 – 83700 CMA

Stud Size: 1/2, M12

Stud Diameter: 13.08 mm [ .5 in ]

### Features

#### Product Type Features

Shape Description	RING-047
Stud Size	1/2, M12
Barrel Type	Closed Barrel
Sealable	No
Insulated	Yes
Wire/Cable Type	Regular Wire
Support Style	Insulation Support

#### Configuration Features

Number of Holes	1
Terminal Angle	Straight

#### Body Features

Inspection Slot	No
Insulation Sleeve Color	Red
Weight per Piece	11.12 g
Plating Material	Copper, Tin

#### Contact Features

Military Part Class	Class II
Terminal Orientation	Straight

#### Mechanical Attachment

Wire Insulation Support	With
-------------------------	------



**Dimensions**

Wire Size	52600 – 83700 CMA
Stud Diameter	13.08 mm[.5 in]
Tongue Thickness	1.52 mm[.06 in]
Overall Length	54.23 mm[2.135 in]

**Usage Conditions**

Operating Temperature Range	105 °C
-----------------------------	--------

**Operation/Application**

Heavy Duty	No
------------	----

**Industry Standards**

Government Qualified	Yes
----------------------	-----

**Packaging Features**

Packaging Quantity	50
Packaging Method	Loose Piece

**Product Compliance**

[For compliance documentation, visit the product page on TE.com>](#)

EU RoHS Directive 2011/65/EU	Compliant
EU ELV Directive 2000/53/EC	Compliant
China RoHS 2 Directive MIIT Order No 32, 2016	No Restricted Materials Above Threshold
EU REACH Regulation (EC) No. 1907/2006	欧洲化学品管理局最新发布的SvHCs候选清单: 2019年1月 (197) SvHCs候选清单的声明更新至: 2019年1月 (197)
Halogen Content	Low Halogen - Br, Cl, F, I < 900 ppm per homogenous material. Also BFR/CFR/PVC Free
Solder Process Capability	Not applicable for solder process capability

Product Compliance Disclaimer

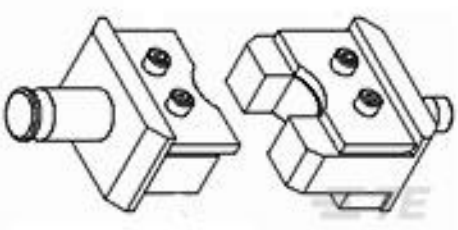
This information is provided based on reasonable inquiry of our suppliers and represents our current actual knowledge based on the information they provided. This information is subject to change. The part numbers that TE has identified as EU RoHS compliant have a maximum concentration of 0.1% by weight in homogenous materials for lead, hexavalent chromium, mercury, PBB, PBDE, DBP, BBP, DEHP, DIBP, and 0.01% for cadmium, or qualify for an exemption to these limits as defined in the Annexes of Directive 2011/65/EU (RoHS2). Finished electrical and electronic equipment products will be CE marked as required by Directive 2011/65/EU. Components may not be CE marked. Additionally, the part numbers that TE has identified as EU ELV compliant have a maximum concentration of 0.1% by weight in homogenous materials for lead, hexavalent chromium, and mercury, and 0.01% for cadmium, or qualify for an exemption to these limits as defined in the Annexes of Directive 2000/53/EC (ELV). Regarding the REACH Regulations, TE's information on SVHC in

articles for this part number is still based on the European Chemical Agency (ECHA) 'Guidance on requirements for substances in articles'(Version: 2, April 2011), applying the 0.1% weight on weight concentration threshold at the finished product level. TE is aware of the European Court of Justice ruling of September 10th, 2015 also known as O5A (Once An Article Always An Article) stating that, in case of 'complex object', the threshold for a SVHC must be applied to both the product as a whole and simultaneously to each of the articles forming part of its composition. TE has evaluated this ruling based on the new ECHA "Guidance on requirements for substances in articles" (June 2017, version 4.0) and will be updating its statements accordingly.

## Compatible Parts



TE Part # 1490406-1  
 DIE ASSEMBLY,TERMINYL  
 #2



TE Part # 47823  
 DIE TERMINYL 69051 #2

## Customers Also Bought



TE Part #198805-000  
 MTCP-116-05P2



TE Part #1218441-3  
 R/A PLG ASSY 25 POS SER  
 109



TE Part #292151-000  
 B-040-28-N



TE Part #324054  
 TERMINAL,T-N R 2 3/8



TE Part #324053  
 TERMINAL,T-N R 2 1/4



TE Part #324085  
 TERMINAL,T-N R 2/0 1/2



TE Part #DTS26F25-35PB  
 PLUG ASSY



TE Part #YDTS26W19-  
 35PNV001  
 PLUG ASSY



TE Part #EF8564-000  
 R85049/88-9Z03



TE Part #YDTS26W25-  
 35PAV001  
 PLUG ASSY

## Documents

[Product Drawings](#)



TERMINAL,T-N R 2 1/2

English

---

**CAD Files**

Customer View Model

[ENG\\_CVM\\_324055\\_E.3d\\_igs.zip](#)

English

Customer View Model

[ENG\\_CVM\\_324055\\_E.3d\\_stp.zip](#)

English

Customer View Model

[ENG\\_CVM\\_324055\\_E.2d\\_dxf.zip](#)

English

**3D PDF**

English

---

**Agency Approvals**

[UL Report](#)

English

# Mouser Electronics

Authorized Distributor

Click to View Pricing, Inventory, Delivery & Lifecycle Information:

[TE Connectivity:](#)

[MS25036-128](#)