

# TERMINAL,PIDG R IR 10 8 ✓ ACTIVE



## PIDG

TE Part # 2-320568-3

TE Internal #: 2-320568-3

Mil-Spec: [B: BACT12AR102, M7928/1-64]

PIDG RING TONGUE TERMINALS

[View on TE.com >](#)

Terminals & Splices > Rings & Spades > PIDG RING TONGUE TERMINALS



Terminal & Splice Type: **Ring Tongue**

Wire Size: **12066 CMA**

Stud Size: **#8, M4**

[All PIDG RING TONGUE TERMINALS \(428\)](#)

## Features

### Product Type Features

Shape Description	RING-042
Stud Size	#8, M4
Barrel Type	Closed Barrel
Sealable	No
Insulated	Yes
Wire/Cable Type	Regular Wire
Support Style	Insulation Restriction

### Configuration Features

Number of Holes	1
Terminal Angle	Straight

### Electrical Characteristics

Voltage (Max)	300 V
---------------	-------

### Body Features

Weight per Piece	1.919 g
Stripe Color	Brown
Plating Material	Copper, Tin

### Contact Features

Military Part Class	Class I
---------------------	---------



Terminal & Splice Type	Ring Tongue
Terminal Orientation	Offset

**Mechanical Attachment**

Wire Insulation Support	With
-------------------------	------

**Dimensions**

Wire Size	12066 CMA
Stud Diameter	4.17 mm[.164 in]
Tongue Thickness	1.07 mm[.042 in]
Overall Length	29.159 mm[1.148 in]
Wire Insulation Diameter	3.02 – 5.08 mm[.119 – .2 in]

**Usage Conditions**

Operating Temperature Range	105 °C[221 °F]
-----------------------------	----------------

**Operation/Application**

Heavy Duty	No
------------	----

**Industry Standards**

Government Qualified	Yes
----------------------	-----

**Packaging Features**

Packaging Quantity	500
Packaging Method	Loose Piece

**Product Compliance**

[For compliance documentation, visit the product page on TE.com>](#)

EU RoHS Directive 2011/65/EU	Compliant
EU ELV Directive 2000/53/EC	Compliant
China RoHS 2 Directive MIIT Order No 32, 2016	No Restricted Materials Above Threshold
EU REACH Regulation (EC) No. 1907/2006	Current ECHA Candidate List: JAN 2019 (197) Candidate List Declared Against: JAN 2018 (181)
Halogen Content	Not Low Halogen - contains Br or Cl > 900 ppm.
Solder Process Capability	Not applicable for solder process capability

Product Compliance Disclaimer



This information is provided based on reasonable inquiry of our suppliers and represents our current actual knowledge based on the information they provided. This information is subject to change. The part numbers that TE has identified as EU RoHS compliant have a maximum concentration of 0.1% by weight in homogenous materials for lead, hexavalent chromium, mercury, PBB, PBDE, DBP, BBP, DEHP, DIBP, and 0.01% for cadmium, or qualify for an exemption to these limits as defined in the Annexes of Directive 2011/65/EU (RoHS2). Finished electrical and electronic equipment products will be CE marked as required by Directive 2011/65/EU. Components may not be CE marked. Additionally, the part numbers that TE has identified as EU ELV compliant have a maximum concentration of 0.1% by weight in homogenous materials for lead, hexavalent chromium, and mercury, and 0.01% for cadmium, or qualify for an exemption to these limits as defined in the Annexes of Directive 2000/53/EC (ELV). Regarding the REACH Regulations, TE's information on SVHC in articles for this part number is still based on the European Chemical Agency (ECHA) 'Guidance on requirements for substances in articles' (Version: 2, April 2011), applying the 0.1% weight on weight concentration threshold at the finished product level. TE is aware of the European Court of Justice ruling of September 10th, 2015 also known as O5A (Once An Article Always An Article) stating that, in case of 'complex object', the threshold for a SVHC must be applied to both the product as a whole and simultaneously to each of the articles forming part of its composition. TE has evaluated this ruling based on the new ECHA "Guidance on requirements for substances in articles" (June 2017, version 4.0) and will be updating its statements accordingly.

## Compatible Parts



TE Part # 59824-1  
TETRA-CRIMP HT ASSY



TE Part # 2063030-1  
SDE DIESET, RBY, UL



TE Part # 58433-3  
PRO CR ASSY, RBY IS9252



TE Part # 59239-4  
HHHT PIDG 12-10



TE Part # 47808-6  
DIE PIDG 69365 12-10



TE Part # 58423-1  
DIE, RBY IS9252


## Also in the Series | PIDG




Crimp Terminal Housings  
(1)



Crimp Wire Pins, Tabs &  
Ferrules(41)



Knife Disconnects(11)



PCB Terminals(9)



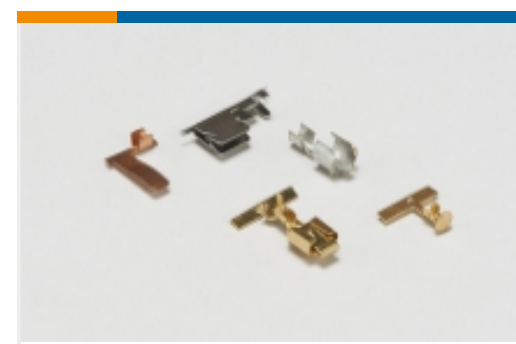
Portable Crimp Tools(1)



Quick Disconnects(53)



Rings & Spades(868)

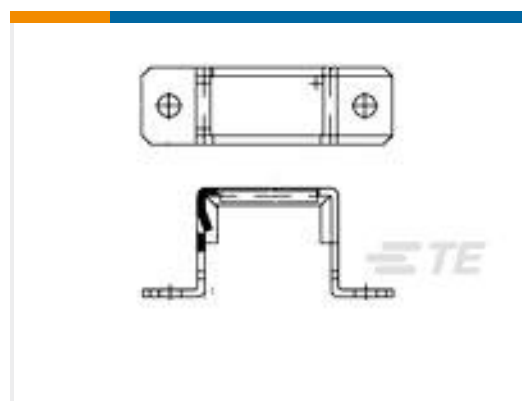


Special Purpose Terminals (1)



Splices(48)

## Customers Also Bought



TE Part #591637-1  
BRACKET,FRAME ASSY



TE Part #38943-12L  
CONTACT T12 FEMELLE  
(= 724-0007-12)



TE Part #972203-000  
S03-02-R-100



TE Part #651105-000  
S03-03-R-100



TE Part #423649-000  
S03-05-R-100



TE Part #DTS26W19-35SN  
PLUG ASSY



TE Part #DTS26W23-35SN  
PLUG ASSY

## Documents

**Product Drawings**  
[TERMINAL,PIDG R IR 10 8](#)

English

### CAD Files

[3D PDF](#)

[3D](#)

[Customer View Model](#)

[ENG\\_CVM\\_CVM\\_2-320568-3\\_AC.2d\\_dxf.zip](#)



English

Customer View Model

[ENG\\_CVM\\_CVM\\_2-320568-3\\_AC.3d\\_igs.zip](#)

English

Customer View Model

[ENG\\_CVM\\_CVM\\_2-320568-3\\_AC.3d\\_stp.zip](#)

English

---

**Product Specifications**

[Application Specification](#)

English

---

**Product Environmental Compliance**

[TE Material Declaration](#)

English

---

**Agency Approvals**

[CSA Certificate](#)

English

# Mouser Electronics

Authorized Distributor

Click to View Pricing, Inventory, Delivery & Lifecycle Information:

[TE Connectivity:](#)

[M7928/1-64](#)