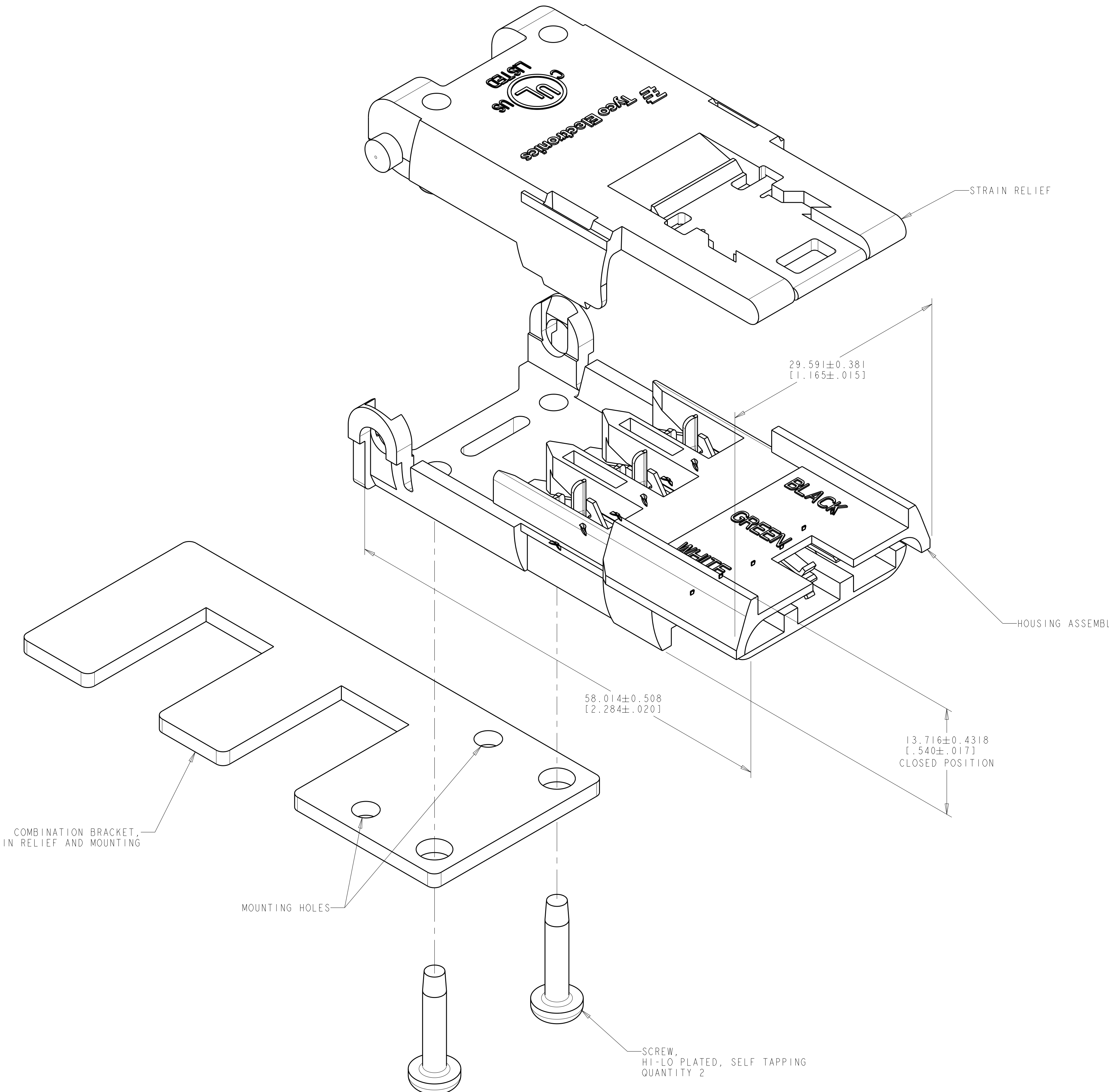


LOC	DIST	REVISIONS			
HM	00	REV	DATE	BY	APPD
		D1	REVISED PER ECO-11-005027	16MAY2011	RK HMR



- 1 MATERIAL: HOUSING ASSEMBLY - CONTACTS, TIN PLATED COPPER ALLOY; HOUSING, POLYCARBONATE MOLDING COMPOUND SOFT WHITE; STRAIN RELIEF - POLYCARBONATE MOLDING COMPOUND, CLEAR; COMBO BRACKET - PREGALVANIZED CARBON STEEL.
- 2. WIRE RANGE AND TYPE: 12 & 14 AWG SOLID COPPER WIRE ONLY, NONMETALLIC SHEATHED CABLE.
- 3. CONTACTS ASSEMBLED IN HOUSING.
- 4 KIT PACKAGED BULK: 500 HOUSING/CONTACT ASSEMBLIES IN A POLYBAG, 500 STRAIN RELIEFS IN A POLYBAG, 500 COMBO BRACKETS IN A BAG, 1000 SCREWS IN A BAG, ONE BAG OF EACH PACKAGED IN AN OUTER POLYBAG WITH 1 INSTRUCTION SHEET 408-4504, 5 OUTER POLYBAGS PACKAGED IN A BOX.
- 5 KIT PACKAGED INDIVIDUALLY: 1 HOUSING/CONTACT ASSEMBLY, 1 STRAIN RELIEF, 1 COMBO BRACKET, 2 SCREWS AND 1 INSTRUCTION SHEET 408-4504-1 IN A WHITE BACKGROUND POLYBAG, 100 KITS PACKAGED IN A BOX.
- 6 KIT PACKAGED BULK: 100 HOUSING/CONTACT ASSEMBLIES IN A POLYBAG, 100 STRAIN RELIEFS IN A POLYBAG, 100 COMBO BRACKETS IN A BAG, 200 SCREWS IN A BAG, ONE BAG OF EACH PACKAGED IN AN OUTER POLYBAG WITH 1 INSTRUCTION SHEET 408-4504, 5 OUTER POLYBAGS PACKAGED IN A BOX.

6	1116377-3
5	1116377-2
4	1116377-1
DESCRIPTION	PART NO

THIS DRAWING IS A CONTROLLED DOCUMENT.		DWN L. SMITH 07AUG98	TE Connectivity	
DIMENSIONS: mm [INCHES]		CHK F. LINCOLN 28OCT98	NAME KIT, NMC CONNECTOR, 2 COND+GND, 12 AND 14 AWG SOLID COPPER	
TOLERANCES UNLESS OTHERWISE SPECIFIED:		APVD F. LINCOLN 28OCT98	PRODUCT SPEC	
9 PLC ±		APPLICATION SPEC	SIZE CAGE CODE DRAWING NO RESTRICTED TO	
3 PLC ±		WEIGHT	A100779 C=1116377	
5 PLC ±		CUSTOMER DRAWING	SCALE 4:1 SHEET 1 OF 1 REV D1	
4 PLC ±				
ANGLES ±				
FINISH				

# Mouser Electronics

Authorized Distributor

Click to View Pricing, Inventory, Delivery & Lifecycle Information:

[TE Connectivity:](#)

[1116377-1](#) [1116377-2](#)