

REVISIONS

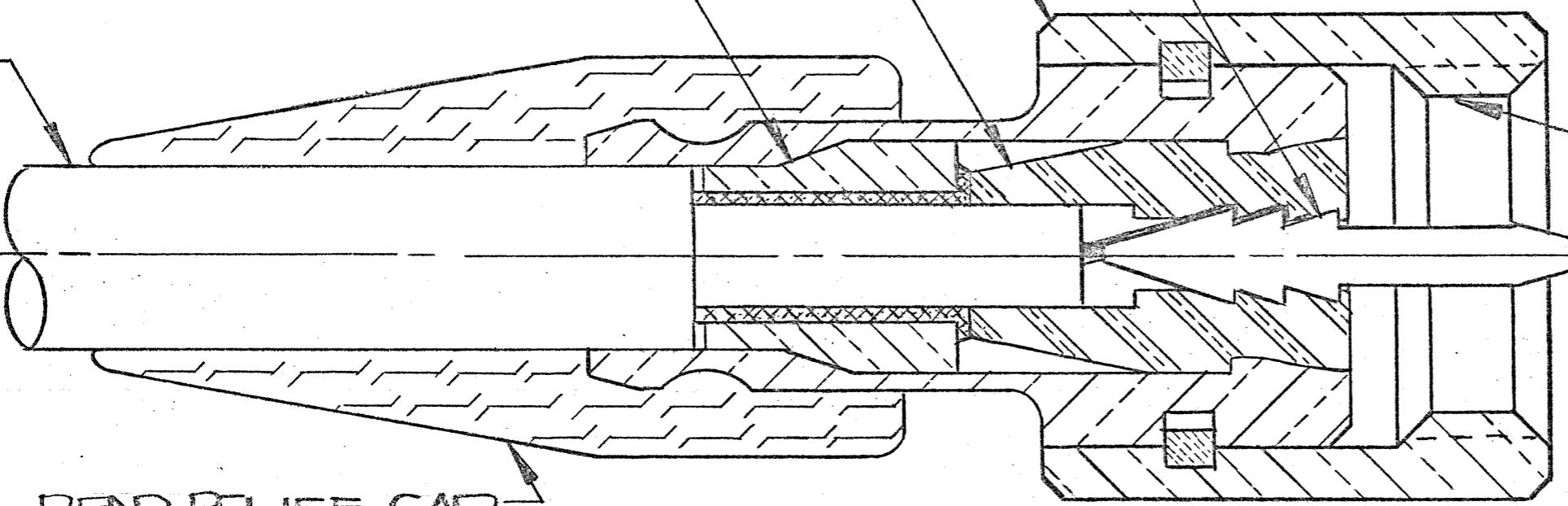
ZONE	LTR	ECN	DESCRIPTION	DATE	APPROVED
	B	33308	NEW RELEASE	1/31/91	AS
	C	33555	UPDATE SEE ECN.	6/21/91	AS
	D	38697	UPDATE REV. LETTER	3/5/99	AS
B-1	E	42793	ADD "RED" TO B/D	1/28/05	AW

PIN CONTACT
P/N 003-0359-0002

HOUSING SUB-ASSY
P/N 003-1530-0001

INSULATOR
P/N 003-0027-0001

JERK RING
P/N 003-0163-0002



.190-32 UNF-2B THD

BEND RELIEF CAP
P/N 003-0270-0002 (RED)

7-1532004-8

NOTES:

1. THIS CONNECTOR MATES W/ALL JACKS AND RECEPTACLES IN SERIES S-50 AS LISTED IN MALCO CATALOG
2. FOR ASSY INSTRUCTIONS SEE RF-ASMB-88, USE MALCO SPECIAL TOOL #010-0003-0000
3. GOLD PLATE PER MIL-G-45204 TYPE II, GRADE C, CLASS I.
4. CABLE ACCEPTANCE DIM'S
 JACKET: .087 DIA MAX
 SHIELD: .061 DIA MAX
 DIELECTRIC: .050 DIA MAX
 INNER COND: .012 DIA NOM.

QTY.	PT. NO.	DESCRIPTION	ITEM NO.
PARTS LIST			
UNLESS OTHERWISE SPECIFIED DIMENSIONS ARE IN INCHES TOLERANCES ARE: FRACTIONS DECIMALS ANGLES ± .XX ± ± .XXX ±		CONTRACT NO.	
MATERIAL		APPROVALS	DATE
FINISH		DRAWN <i>manica</i>	9/1/16
NEXT ASSY		CHECKED <i>AS</i>	1/16/91
USED ON		PR. ENG. <i>Antony</i>	1/16/91
APPLICATION		APPROVED	
DO NOT SCALE DRAWING		MALCO A MICRODOT COMPANY, INC. 220 PASADENA AVE., SO. PASADENA, CALIF. 91030	
		SIZE B	CODE IDENT NO. 98278
		DRAWING NO. 052-0641-0001	
		SCALE	SHEET 1 OF 1

Mouser Electronics

Authorized Distributor

Click to View Pricing, Inventory, Delivery & Lifecycle Information:

[TE Connectivity:](#)

[7-1532004-8](#)