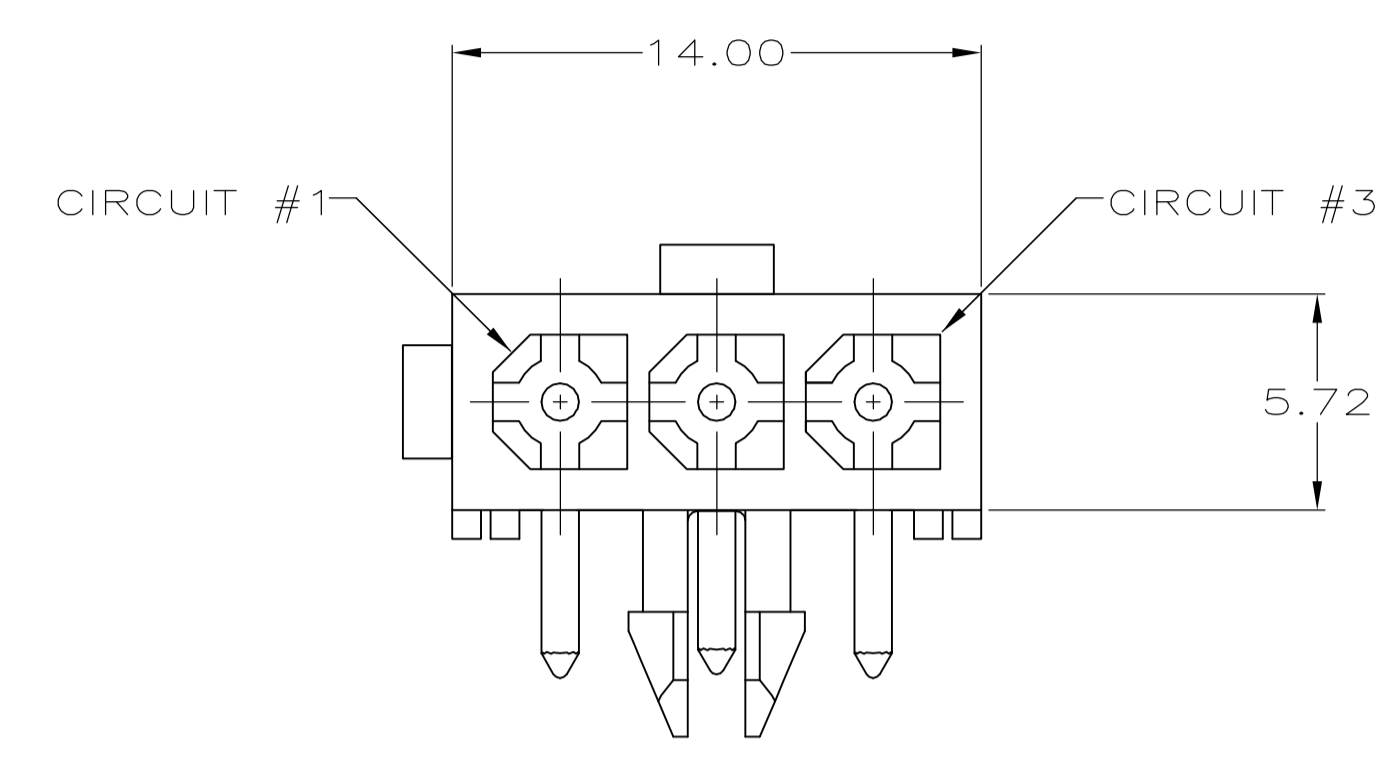
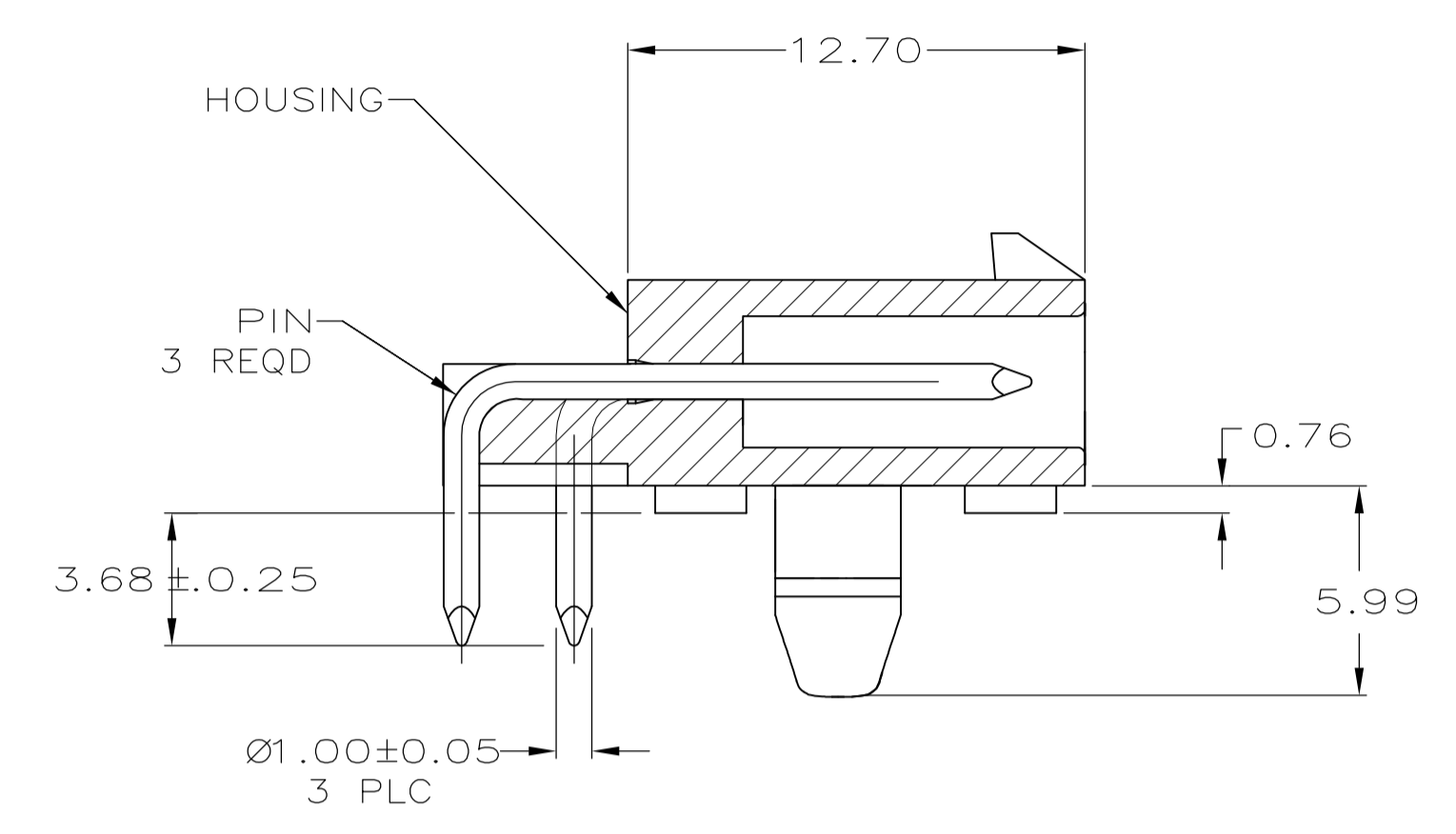
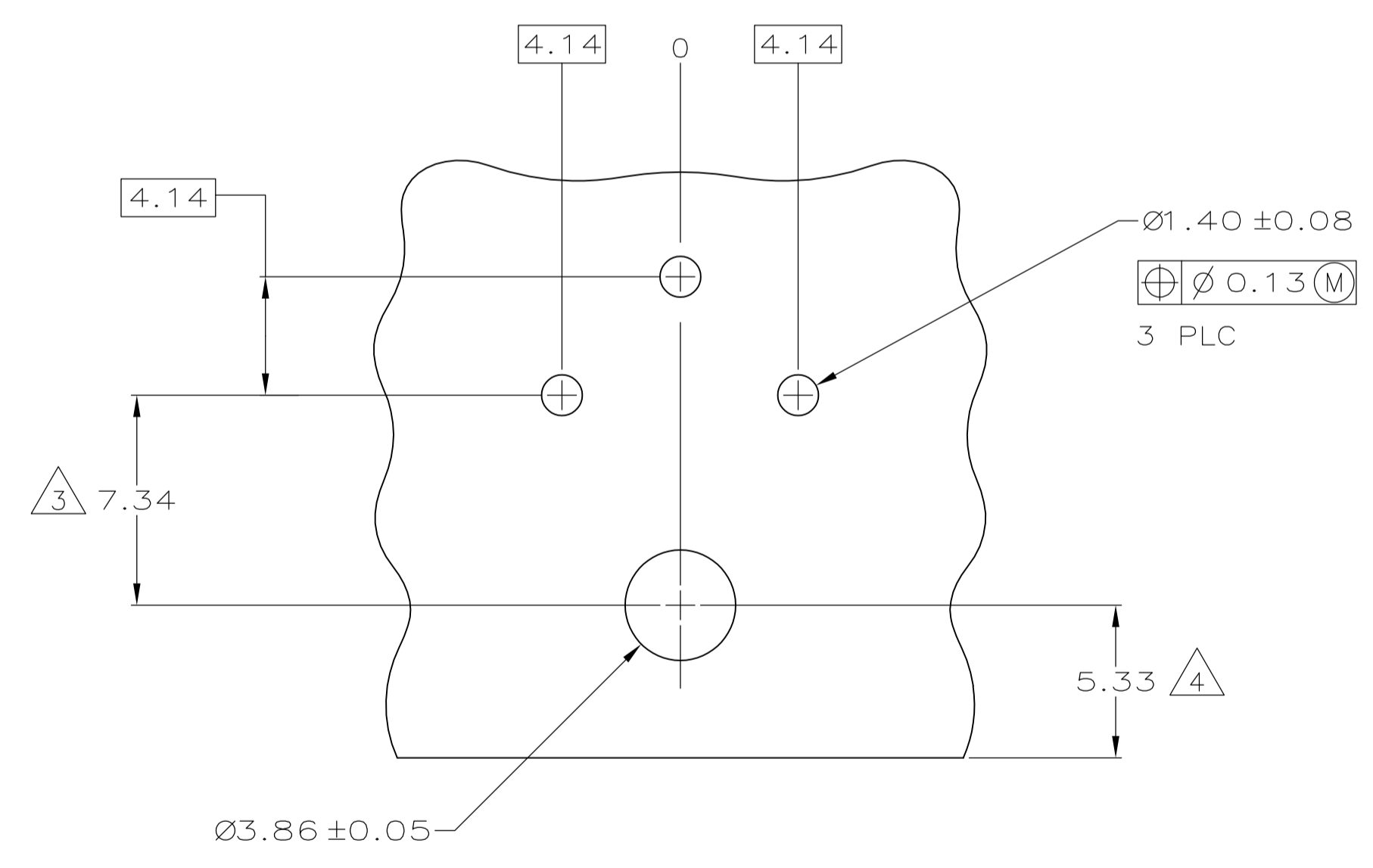


LOC	DIST	REVISIONS			
P	LTR	DESCRIPTION	DATE	DMN	APVD
CM	53	A1	REVISED PER ECR-10-010253	17MAY10	HMR MS



- 1 PINS TO COMPLY WITH AMP SOLDERABILITY SPEC 109-11-3.
- 2 MATES WITH PLUG P/N 172166-1.
- 3  $\triangle$  COORDINATE DIMENSION APPLIES FROM CENTER OF ACTUAL FEATURE.
- 4  $\triangle$  RECOMMENDED FOR EDGE MOUNTING.
- 5  $\triangle$  MATTE TIN LEAD OVER NICKEL ENTIRE LENGTH OF PIN.
- 6  $\triangle$  MATTE TIN OVER NICKEL ENTIRE LENGTH OF PIN.



RECOMMENDED MOUNTING HOLE PATTERN FOR 1.57 THICK P.C. BOARD

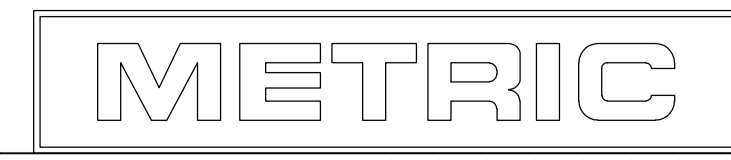
MM	IN	MM	IN
3.68	.145	-	-
1.57	.062	-	-
1.40	.055	-	-
1.00	.039	14.00	.551
0.76	.030	12.70	.500
0.25	.010	7.34	.289
0.13	.005	5.99	.236
0.08	.003	5.72	.225
0.05	.002	5.33	.210
0.0038	0.000150	4.14	.163
0.00127	0.000050	3.86	.152

CONVERSION TABLE

BRASS	$\triangle$ 6	NYLON, UL94V-0	WHITE	1-794006-0
BRASS	$\triangle$ 5	NYLON, UL94V-0	WHITE	794006-1
MATERIAL	FINISH	MATERIAL	COLOR	PART NO

THIS DRAWING IS A CONTROLLED DOCUMENT.

DIMENSIONS: mm	TOLERANCES UNLESS OTHERWISE SPECIFIED:	DIN K. SALMON 2-12-93	APVD J. ANDREW 2-15-93	Tyco Electronics Corporation Harrisburg, PA 17105-3608
	0 PLC ± - 1 PLC ± - 2 PLC ± 0.13 3 PLC ± - 4 PLC ± - ANGLES ± -	CHK R. SWING	NAME J. ANDREW	PRODUCT SPEC
MATERIAL SEE TABLE	FINISH SEE TABLE	APPLICATION SPEC	SIZE A1	CAE CODE C=794006
CUSTOMER DRAWING		WEIGHT	SCALE 5:1	SHEET 1 OF 1 REV A1



# Mouser Electronics

Authorized Distributor

Click to View Pricing, Inventory, Delivery & Lifecycle Information:

[TE Connectivity:](#)

[794006-1](#)