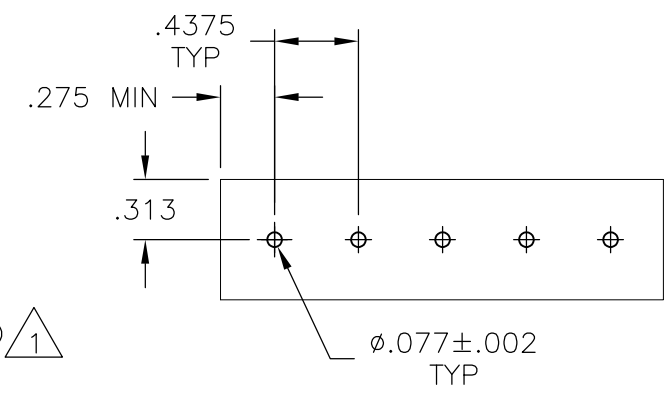
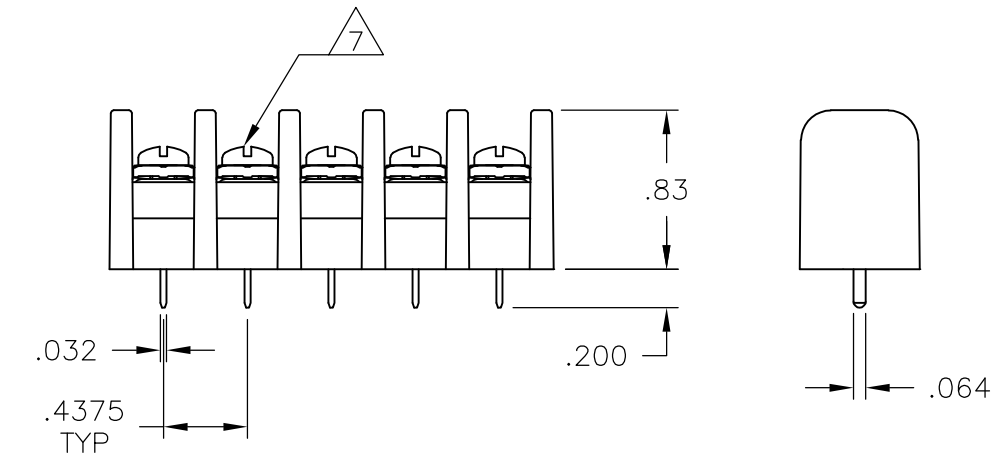
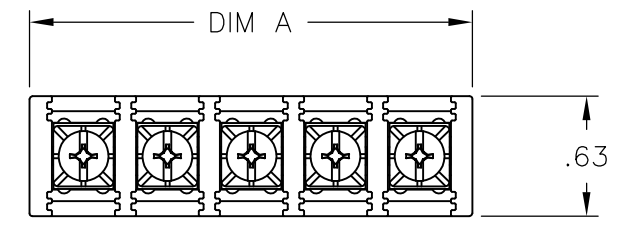


THIS DRAWING IS UNPUBLISHED. RELEASED FOR PUBLICATION
 © COPYRIGHT - By - ALL RIGHTS RESERVED.

LOC	DIST	REVISIONS			
P	LTR	DESCRIPTION	DATE	DWN	APVD
FT	0	R	REVISED PER ECO-11-023039	20FEB12	KH MS



MATERIAL:
 HOUSING: THERMOPLASTIC, UL94V-2, BLACK.
 TERMINAL: BRASS, PLATED BRIGHT TIN OVER NICKEL.
 SCREWS: 6-32, STEEL, ZINC AND CHROMATE PLATED ¹
 OR
 NICKEL OVER COPPER PLATED ²

ELECTRICAL:
 MAXIMUM CURRENT: 20A.
 OPERATING VOLTAGE: 600V.
 WIRE RANGE: 12 AWG MAX.
 ENVIRONMENT:
 OPERATING TEMP.: -60°C TO +105°C.

- ³ WHITE INK MARKING, APPROX. AS SHOWN. (SEE PAGE 2)
- ⁴ PRELIMINARY PART NUMBER.
- ⁵ OBSOLETE PARTS: OBSOLETE CIS STREAMLINING PER D.RENAUD/D.SINISI
- ⁶ SPECIAL MARKING SEE DETAIL.
- ⁷ ALL SCREWS BOTTOMED, TORQUE 2 TO 4 IN-LBS

NO.	DATE	DESCRIPTION	DATE	DWN	APVD	
¹ ⁴	11.937	27	SSB7FP270202	2-1546984-7		
¹	11.500	26	SSB7FP260202	5-1437416-4		
¹	11.062	25	SSB7FP250202	5-1437416-3		
¹ ⁴	10.625	24	SSB7FP240202	2-1546984-4		
¹ ⁴	10.187	23	SSB7FP230202	2-1546984-3		
¹ ⁴	9.750	22	SSB7FP220202	2-1546984-2		
¹ ⁴	9.312	21	SSB7FP210202	2-1546984-1		
¹	8.875	20	SSB7FP200202	5-1437416-2		
¹ ⁴	8.437	19	SSB7FP190202	1-1546984-9		
¹	8.000	18	SSB7FP18020212	5-1437416-1		
¹ ⁴	8.000	18	SSB7FP180202	1-1546984-8		
¹	7.562	17	SSB7FP170202	5-1437416-0		
¹ ⁴	7.125	16	SSB7FP160202	1-1546984-6		
¹	6.687	15	SSB7FP150202	4-1437416-7		
¹	6.250	14	SSB7FP140202	3-796602-3		
¹ ⁴	5.812	13	SSB7FP130202	1-1546984-3		
¹	5.375	12	SSB7FP120202	4-1437416-1		
¹	4.937	11	SSB7FP110202	1-1546561-2		
¹	4.500	10	SSB7FP100202	3-1437416-5		
⁴	4.062	9	SSB7FP091402	2-1546984-9		
⁶ ⁴	4.062	9	SSB7FP09140211	2-1546984-8		
¹	4.062	9	SSB7FP090202	3-1437416-2		
¹	3.625	8	SSB7FP080202	2-1437416-8		
¹	3.187	7	SSB7FP070202	3-796602-2		
¹	2.750	6	SSB7FP060202	2-1437416-2		
¹	2.312	5	SSB7FP050202	1-1437416-7		
¹	1.875	4	SSB7FP040202	1-1437416-2		
²	1.437	3	SSB7FP0320911	3-1546561-9		
¹ ⁵	OBSOLETE	1.437	3	SSB7FP03020211	1546561-6	
¹	1.437	3	SSB7FP030202	1437416-8		
¹	1.000	2	SSB7FP020202	1437416-4		

DIM A	NO. OF POS.	CATALOG NUMBER	PART NUMBER
-------	-------------	----------------	-------------

THIS DRAWING IS A CONTROLLED DOCUMENT.		DWN S SCHL GEL 16FEB04	STE TE Connectivity	
DIMENSIONS: INCHES		CHK S YODER 2/16/04		
TOLERANCES UNLESS OTHERWISE SPECIFIED:		APVD S YODER 2/16/04	NAME	
0 PLC ± -		PRODUCT SPEC	SSB7 ASSEMBLY	
1 PLC ± -		APPLICATION SPEC	RESTRICTED TO	
2 PLC ± .02		SIZE	CAGE CODE	DRAWING NO
3 PLC ± .010		WEIGHT	A3	00779
4 PLC ± -		G-3-796602-2		
ANGLES ± 1°		SCALE NTS SHEET 1 OF 2 REV R		
FINISH		CUSTOMER DRAWING		

THIS DRAWING IS UNPUBLISHED.

RELEASED FOR PUBLICATION

-. -. .

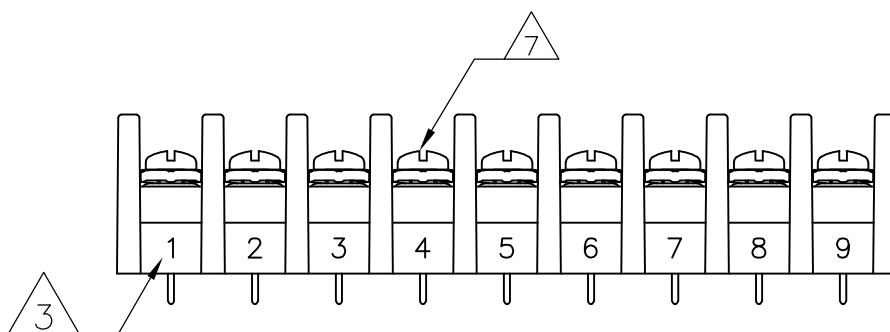
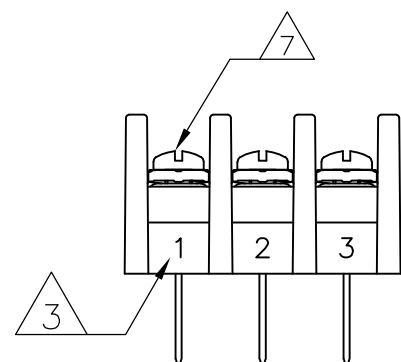
© COPYRIGHT - By -

ALL RIGHTS RESERVED.

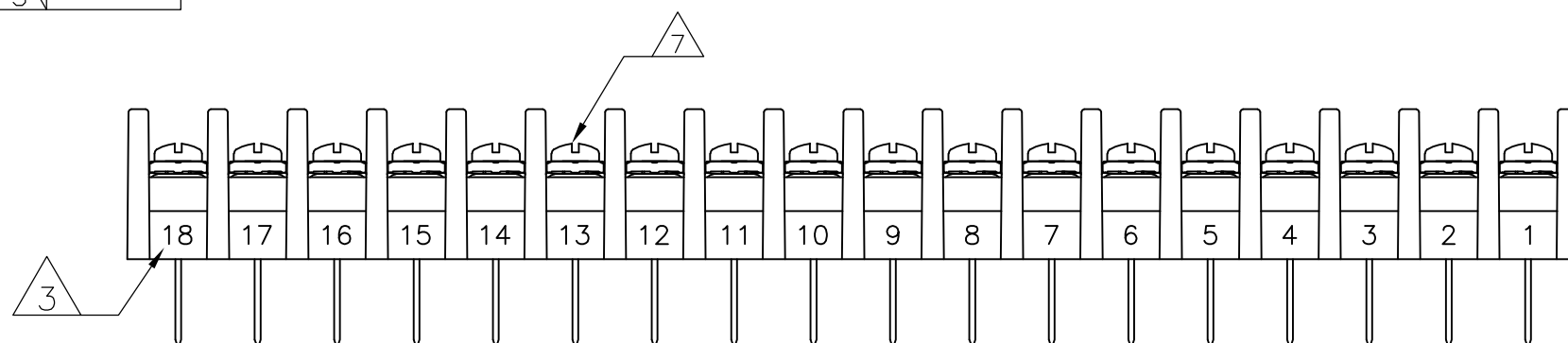
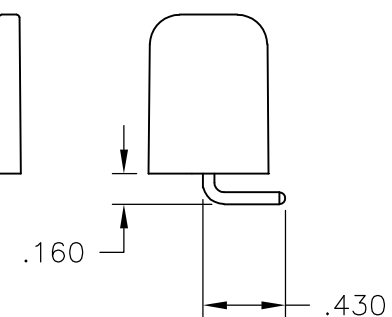
LOC FT DIST 0

REVISIONS

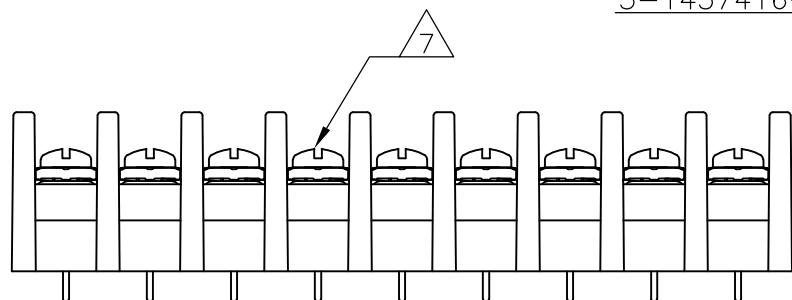
P	LTR	DESCRIPTION	DATE	DWN	APVD
-	-	SEE SHEET 1	-	-	-



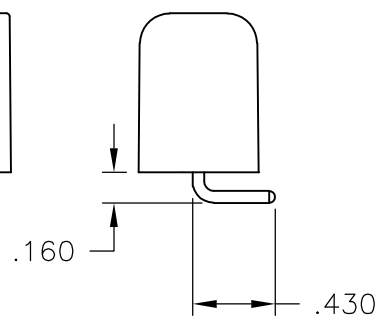
2-1546984-8



5-1437416-1



2-1546984-9



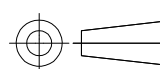
THIS DRAWING IS A CONTROLLED DOCUMENT.

DWN S SCHL GEL 16FEB04
 CHK S YODER 2/16/04
 APVD S YODER 2/16/04



DIMENSIONS: INCHES

TOLERANCES UNLESS OTHERWISE SPECIFIED:



0 PLC ± -
 1 PLC ± -
 2 PLC ± .02
 3 PLC ± .010
 4 PLC ± -
 ANGLES ± 1°

PRODUCT SPEC

APPLICATION SPEC

WEIGHT -

NAME

SSB7 ASSEMBLY

SIZE A3 CAGE CODE 00779 DRAWING NO C-3-796602-2 RESTRICTED TO -

CUSTOMER DRAWING SCALE NTS SHEET 2 OF 2 REV R

Mouser Electronics

Authorized Distributor

Click to View Pricing, Inventory, Delivery & Lifecycle Information:

[TE Connectivity:](#)

[SSB7FP110202](#)