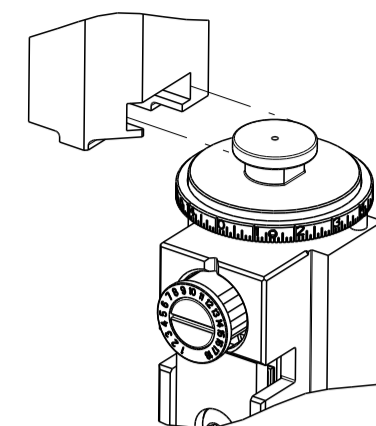


PART NUMBER	REVISION	DESCRIPTION	FEED TYPE
2836122-2	E	FINE CRIMP HEIGHT ADJUST	PNEUMATIC
7-2836122-2	E	PNEUMATIC AND CRIMP TOOLING KIT	PNEUMATIC
7-2836122-7	A	CRIMP TOOLING KIT	-

ATLANTIC VERSION TERMINATOR INTERFACE ADAPTER

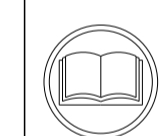


APPLICATOR DATA		
CRIMP	SIZE	TYPE
WIRE	1.57 mm [.062]	F
INSUL	1.78 mm [.070]	O

APPLICATOR INSTRUCTIONS  
408-35042

TERMINAL DATA: TE TERMINAL		TE CRIMP SPECIFICATION	
TERMINAL NAME: PIN & SOCKET, .062 TYPE III			
WIRE STRIP LENGTH		INSULATION DIAMETER RANGE	
3.58-4.34 mm [.141-.171 IN]		Ø1.02-1.52 mm [.040-.060 IN]	
TERMINAL APPLICATION SPECIFICATION	114-10004		
TERMINALS APPLIED			
TE TERMINAL	TE TERMINAL	TE TERMINAL	TE TERMINAL
66424-6	66424-7	66424-8	1-66424-1
66425-5	66425-6	66425-7	66425-8
1-66425-2			

WIRE SIZE	CRIMP HEIGHT mm [INCH]	CRIMP HEIGHT REFERENCE SETTING
26,28 OR 30 AWG	0.97+/-0.08 [.038+/- .003]	7.6



- RECOMMENDED SPARE PARTS
- REFER TO SUPPLIED INSTRUCTION SHEET FOR CLEANING, LUBRICATION AND STORAGE OF APPLICATOR.
- APPLY PART NUMBER 2-23419-6 LOCTITE TO THREADS OF ITEM 242.
- CRIMP HEIGHT REFERENCE SETTING WAS THE SETTING USED WHEN THE APPLICATOR WAS QUALIFIED AT THE FACTORY. ADJUSTMENT MAY BE NECESSARY WHEN RUNNING APPLICATOR IN THE FIELD.
- 5. UNLESS SPECIFIED OTHERWISE TORQUE VALUES SHALL BE USED PER DOCUMENT, 101-35000.
- TERMINAL PITCH NOT COMPATIBLE WITH MECHANICAL FEED.
- TERMINAL LUBRICANT IS RECOMMENDED.
- FOR TERMINAL 66424 USE ITEMS 7 (HOLD DOWN SPACER), 53 (HOLD DOWN SCREW) AND 34 (TERMINAL SUPPORT).
- FOR TERMINAL 66425 USE ITEMS 81 (HOLD DOWN SPACER), 301 (HOLD DOWN SCREW) AND 272 (TERMINAL SUPPORT).

**\*WARNING**  
ON INSTALLATION, SET WIRE DISC TO CRIMP HEIGHT REFERENCE SETTING FOR LARGEST WIRE SIZE. CRIMP HEIGHT REFERENCE SETTINGS GREATER THAN THE VALUE SHOWN MAY CAUSE DAMAGE TO THE CRIMP TOOLING. REFER TO THE INSTRUCTION SHEET FOR PROPER SETUP AND ADJUSTMENTS.

LOC	DIST	REVISIONS					
A	66	P	LTN	DESCRIPTION	DATE	DWN	APVD
		B		ECR-19-005756	09APR2019	TB	CT
		C		ECR-19-006661	25APR2019	TB	GB
		D		ECR-20-015600	02NOV2020	TB	RK
		E		ECR-21-006238	15JUN2021	JWC	GB

	-	2	2	2168083-9	SCR, SKT HD CAP, RoHS, M4 X 20	301
	-	1	1	1752356-9	SUPPORT, TERMINAL	272
	-	1	1	2119641-1	FEED CAM, AIR FEED	248
	-	1	1	2119082-5	CAM, SNAIL, INSULATION ADJUSTMENT	244
	-	1	1	2079764-1	WASHER, WAVE SPRING, CREST-TO-CREST	243
	-	1	1	2119083-1	RETAINER, INSULATION DIAL	242
	-	1	1	7-18023-7	SCR, SKT HD CAP M3 X 4.0	241
	-	1	1	2844940-1	AIR FEED MODULE	238
	REF	REF		994970-2	COUNTER, MAGNETIC	164
	-	1	1	2119955-1	ASSY, LUBRICATOR, SIDE FEED	113
	-	1	1	2844908-1	SCREW, LOCKING	99
	-	1	1	2844907-1	POST, LOCKING	98
	-	1	1	455888-4	SPACER, CRIMPER	82
	-	1	1	6-240641-0	SPACER	81
	-	1	1	1803607-3	DOCUMENTATION PACKAGE	71
	-	1	1	2119791-9	DEPRESSOR, WIRE	70
	-	1	1	2119740-1	TAG, IDENTIFICATION	67
	-	2	2	2168078-1	SCREW, DRIVE, RH, RoHS, 2 x .188	66
	-	1	1	2168083-2	SCR, SKT HD CAP, RoHS, M4 X 8.0	60
	-	1	1	5-18022-5	SCR, HEX HD CAP, M4 X 6.0	59
	-	1	1	1338685-1	PAWL, FEED	56
	-	4	4	2168083-3	SCR, SKT HD CAP, RoHS, M4 X 12.0	54
	-	2	2	2-2168083-5	SCR, SKT HD CAP, RoHS, M4 X 14	53
	-	1	1	1803382-6	HOLD DOWN, SPRING LOADED	50
	-	1	1	18023-9	SCR, SKT HD CAP M4 X 6.0	49
	-	1	1	1803583-9	APPLICATOR BASIC ASSEMBLY, SF	46
	-	1	1	1803515-1	RAM ASSEMBLY, SF ATLANTIC	44
	-	1	1	1803602-1	SCR, BHSC, RoHS (M8 X 25)	41
	-	1	1	1752356-6	SUPPORT, TERMINAL	34
	-	2	2	2079383-5	SCR, BHSC, RoHS (M4 X 20)	33
	-	2	2	2-2844962-6	SPACER, CYLINDRICAL, STRIP GUIDE	30
	-	1	1	2844992-1	ASSEMBLY, STRIP GUIDE	29
	-	1	1	455888-3	SPACER, CRIMPER	28
	-	1	1	1320928-6	STRIP GUIDE	24
	-	1	1	2168083-2	SCR, SKT HD CAP, RoHS, M4 X 8.0	21
	-	2	2	1-18028-2	WASHER, FLAT, REG M4	20
	-	1	1	2119533-3	STRIPPER, SIDE FEED	19
	-	1	1	2119806-1	INSERT, SHEAR	13
	-	1	1	3-22280-3	SPRING, COMPRESSION	12
	-	1	1	1-356885-4	STOP, SHEAR	11
	-	1	1	2119805-1	SHEAR HOLDER, FRONT	10
	-	1	1	1803095-6	FLOATING SHEAR, FRONT	9
	1	2	1	5-1633918-9	ANVIL, COMBINATION	8
	-	1	1	240641-4	SPACER	7
	-	-	-	-	-	6
	-	1	1	1-2119757-0	DEPRESSOR, SHEAR	5
	-	1	1	238011-7	BLOCK, CRIMPER SPACER	4
	1	2	1	8-1803019-0	CRIMPER, INSULATION O	3
	-	1	1	455888-3	SPACER, CRIMPER	2
	1	2	1	5-456403-7	CRIMPER, WIRE PREMIUM	1

ATLANTIC VERSION  
Shown on sheets 1 of 4 & 2 of 4  
(Pacific version shown on sheets 3 of 4 & 4 of 4)

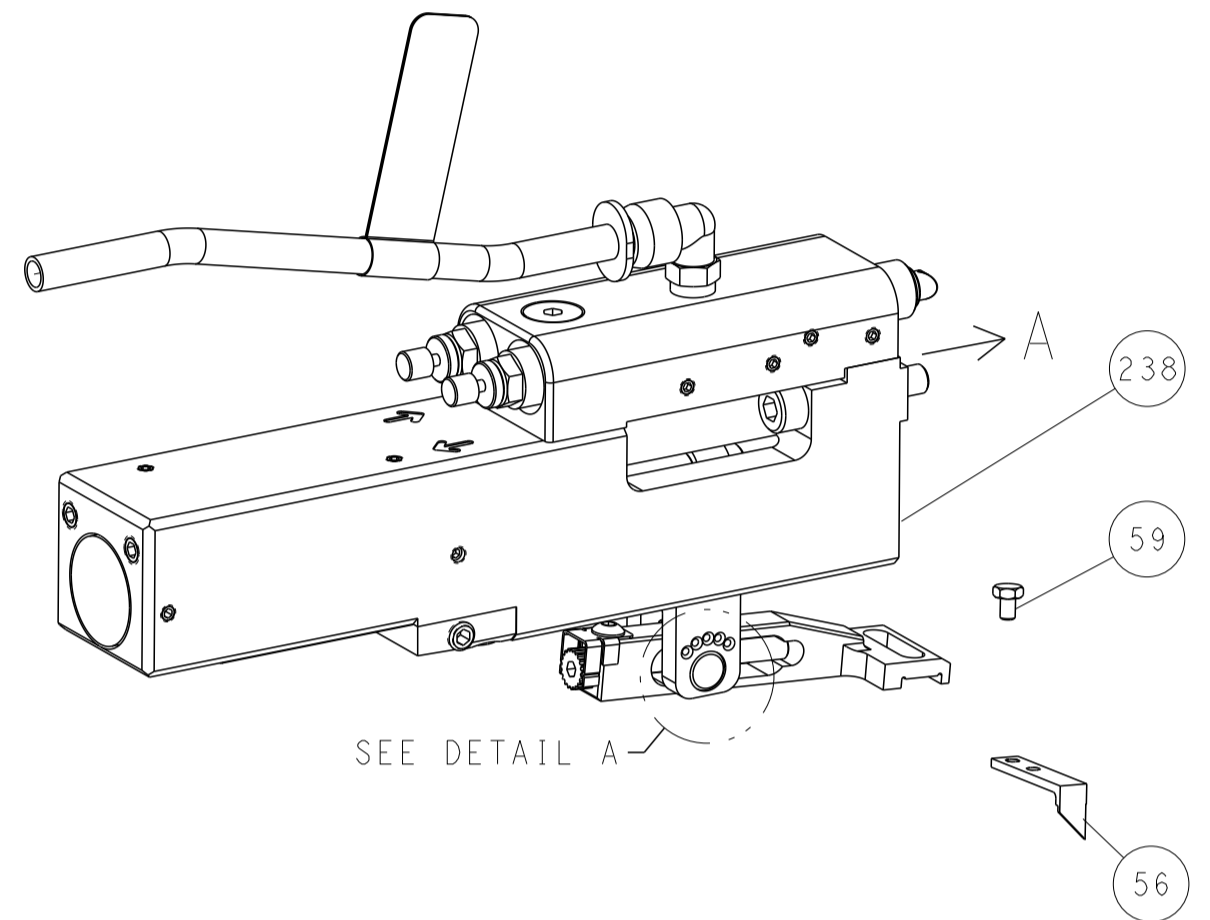
DIMENSIONS:		TOLERANCES UNLESS OTHERWISE SPECIFIED:		MATERIAL:		FINISH:		WEIGHT:		SCALE:		SHEET:		REV:	
mm	0 PLC ±	1 PLC ±	2 PLC ±	3 PLC ±	4 PLC ±	ANGLES	FINISH			A1	00779	2836122	1	4	E

Customer Accessible Production Drawing

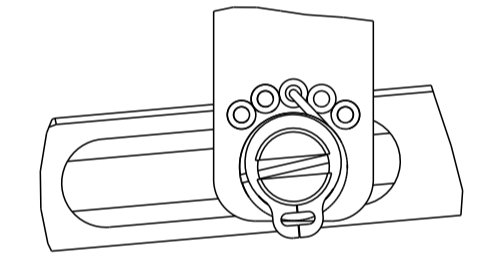
LOC	DIST	REVISIONS			
P	LTN	DESCRIPTION	DATE	DMN	APVD
A	66	SEE SHEET 1	-	-	-

# FEED TYPE

## PNEUMATIC

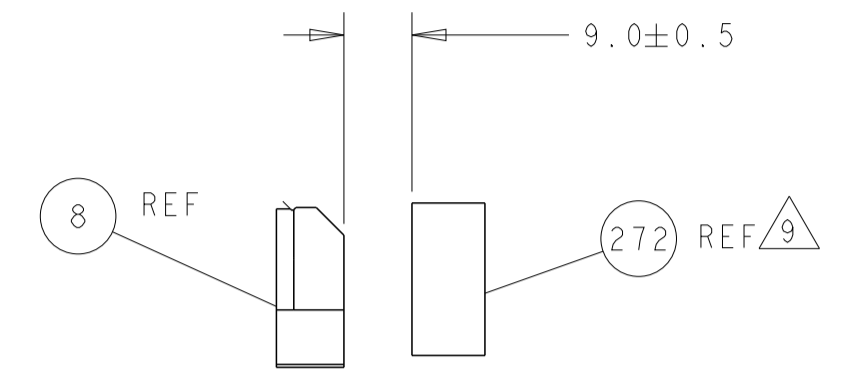
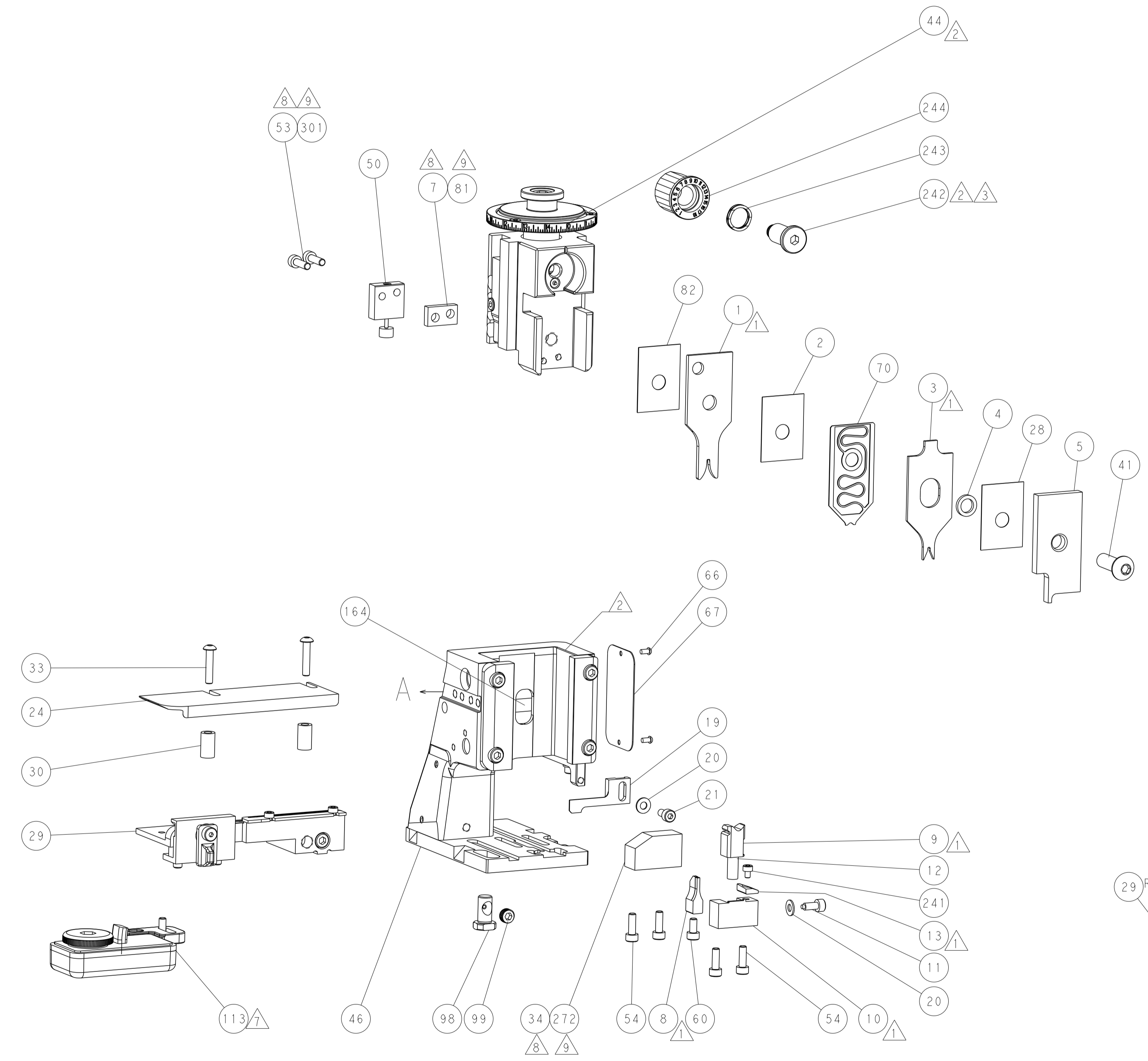
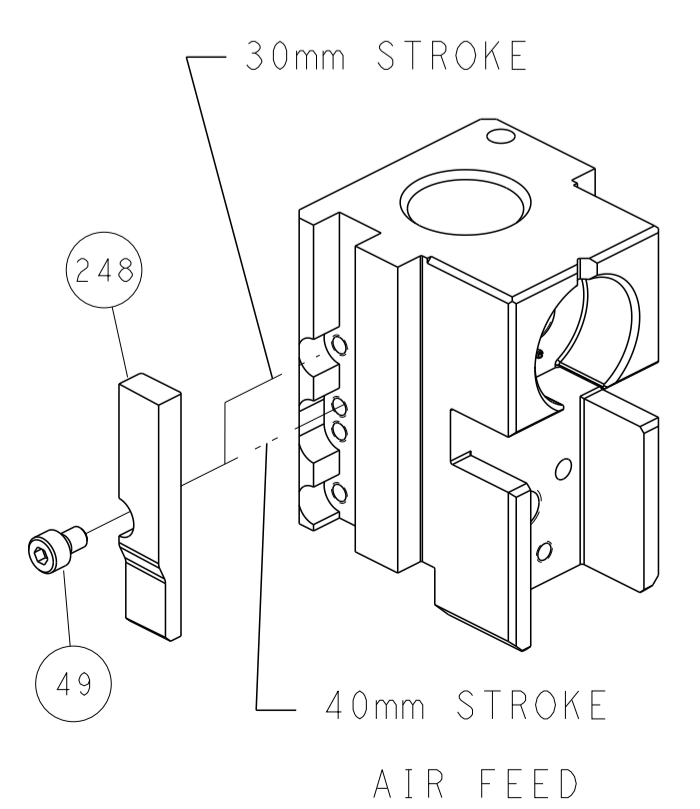


## FEED SPRING SETTING POSITION (SHOWN FROM REAR SIDE)

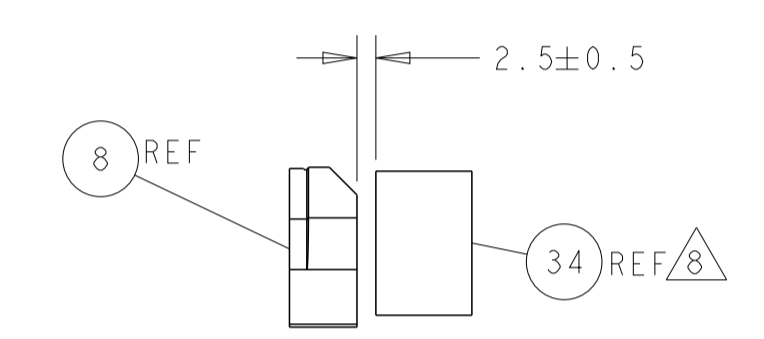


DETAIL A

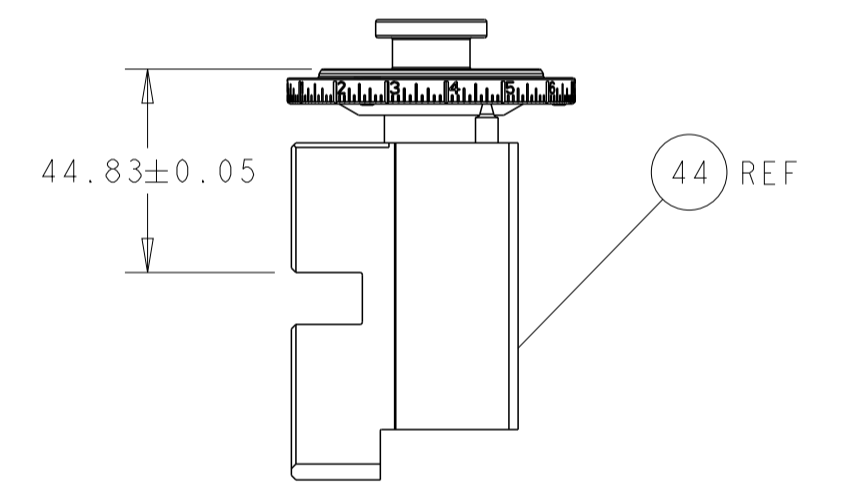
## CAM POSITION



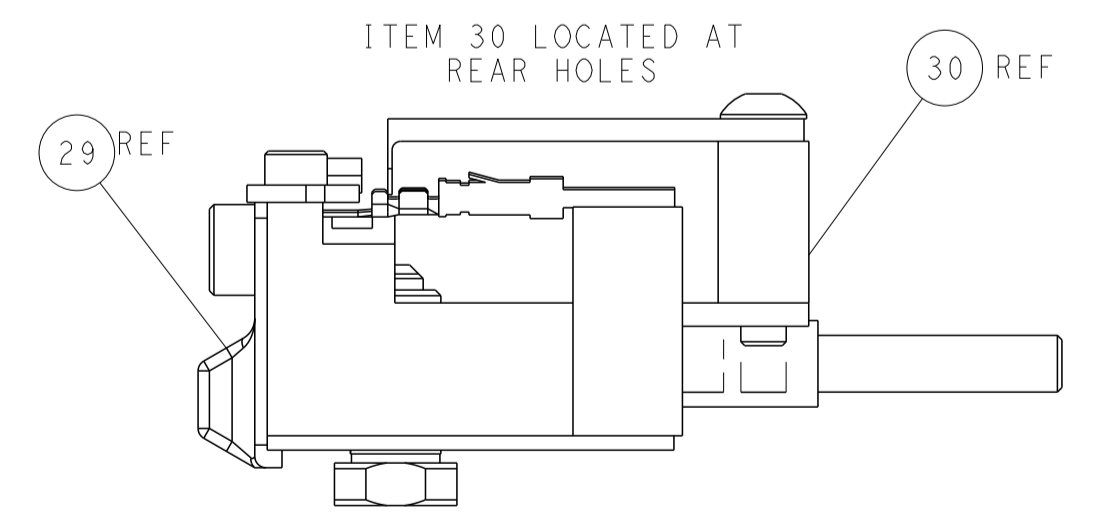
TERMINAL SUPPORT LOCATION FOR TERMINAL 66425



TERMINAL SUPPORT LOCATION FOR TERMINAL 66424



RAM SET-UP



FEED TRACK POSITION GUIDE BY INSULATION BARREL

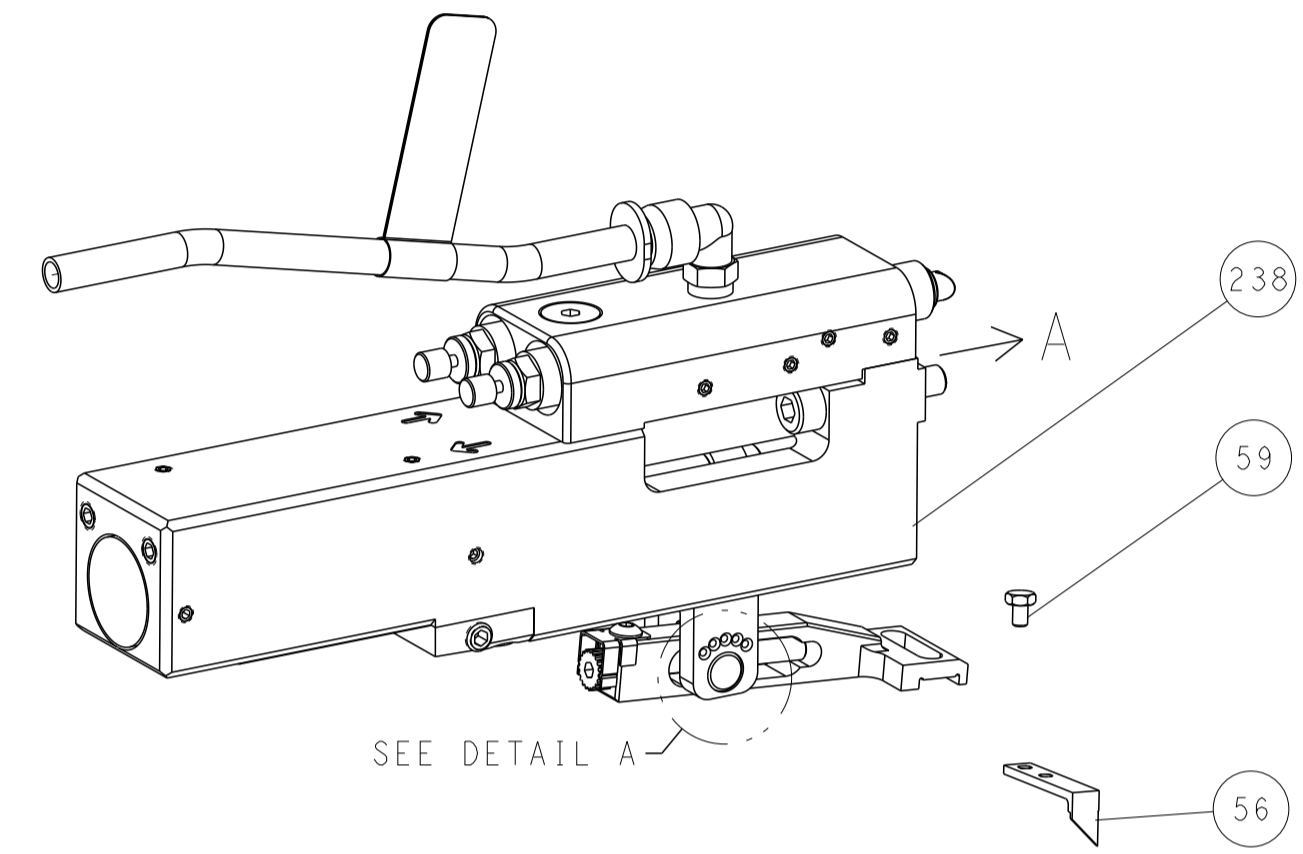
**ATLANTIC VERSION**  
 Shown on sheets 1 of 4 & 2 of 4  
 (Pacific version shown on sheets 3 of 4 & 4 of 4)

<small>THIS DRAWING IS UNPUBLISHED. RELEASED FOR PUBLICATION BY TYCO ELECTRONICS CORPORATION. ALL RIGHTS RESERVED.</small>		DWN: X.ZHAO 20NOV2015 CHK: L.ZHANG 20NOV2015 APVD: J.GUO 20NOV2015	TE Connectivity Harrisburg, PA 17105-3608
DIMENSIONS: mm TOLERANCES UNLESS OTHERWISE SPECIFIED: 0 PLC ± 1 PLC ± 2 PLC ± 3 PLC ± 4 PLC ± ANGLES FINISH ±		NAME: Ocean Side Feed Applicator PRODUCT SPEC: APPLICATION SPEC: SIZE: A1 CAGE CODE: 00779 DRAWING NO: 2836122	RESTRICTED TO: SCALE: 1:2 SHEET: 2 OF 4 REV: E
MATERIAL:		WEIGHT:	Customer Accessible Production Drawing

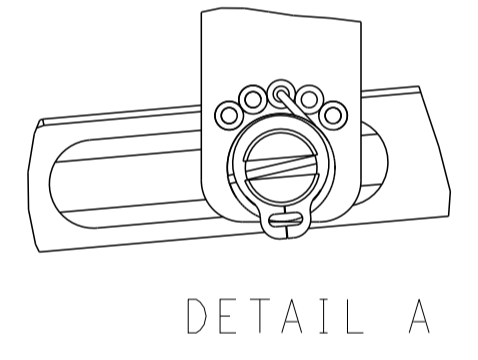


LOC	DIST	REVISIONS					
A	66	P	LTN	DESCRIPTION	DATE	DMN	APVD
		-		SEE SHEET 1	-	-	-

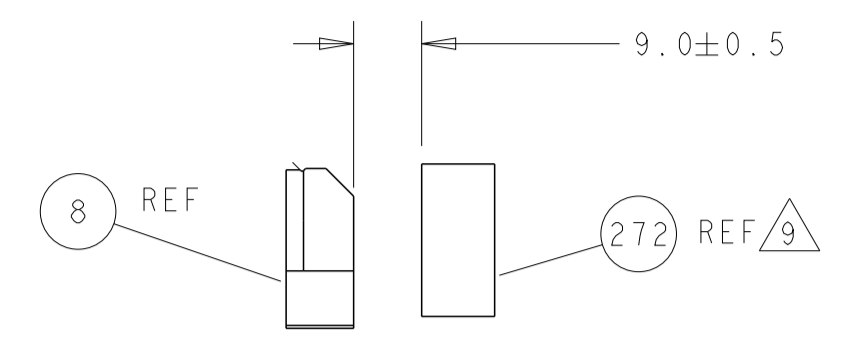
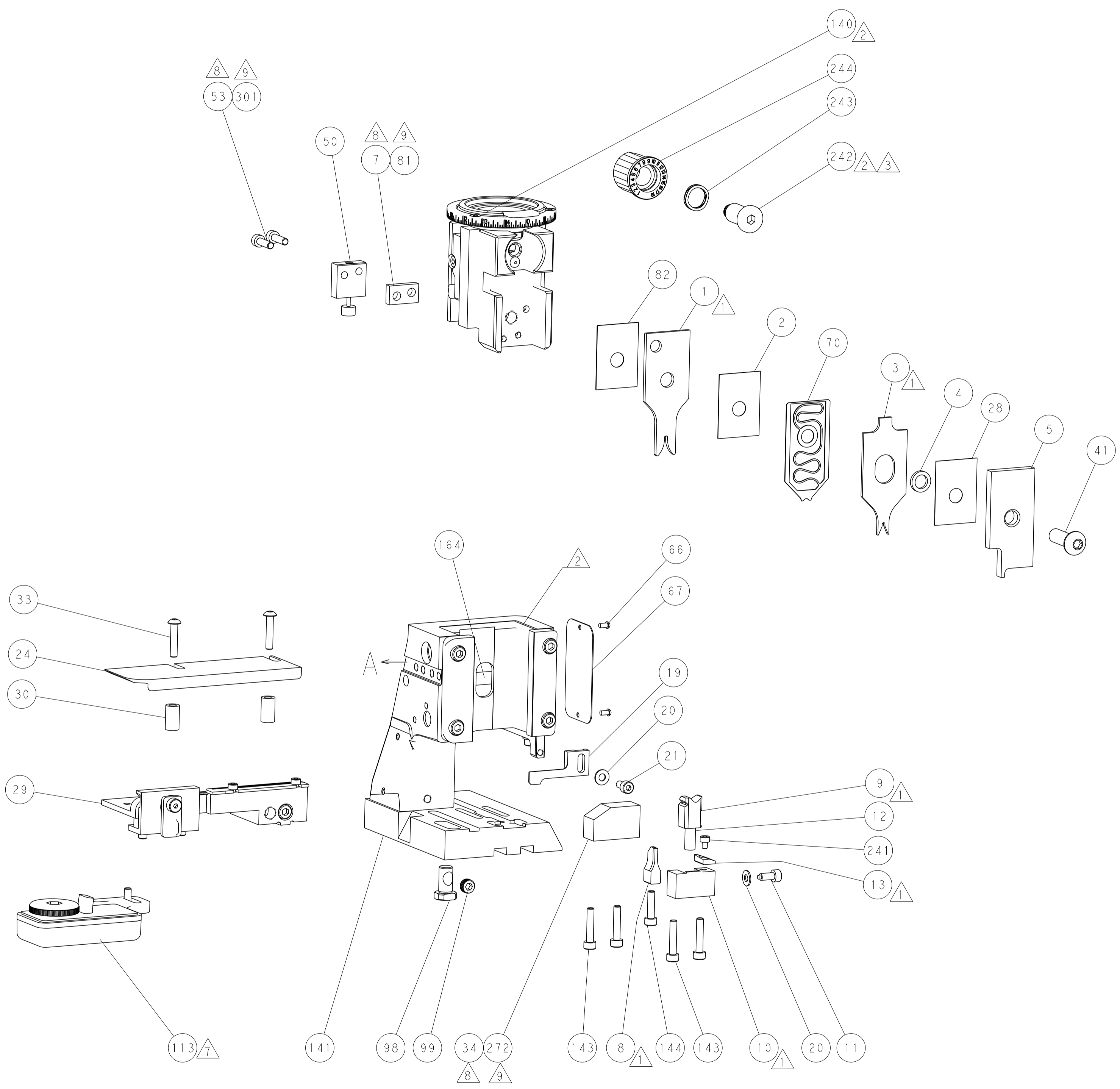
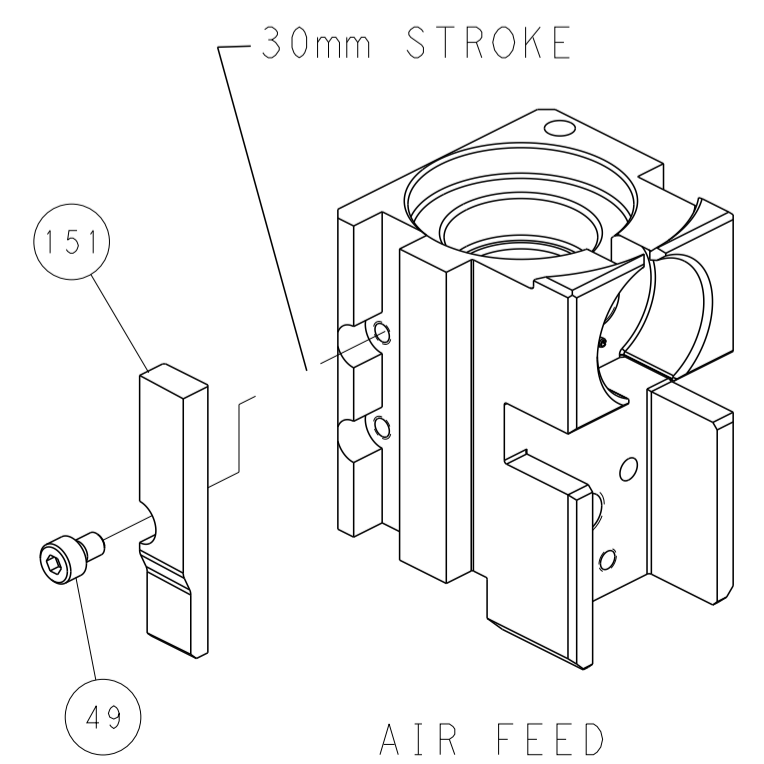
### FEED TYPE PNEUMATIC



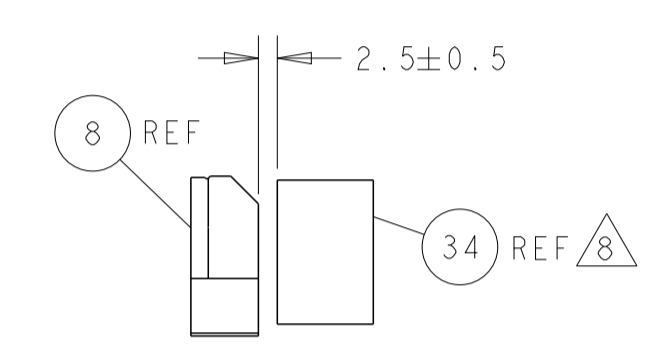
### FEED SPRING SETTING POSITION (SHOWN FROM REAR SIDE)



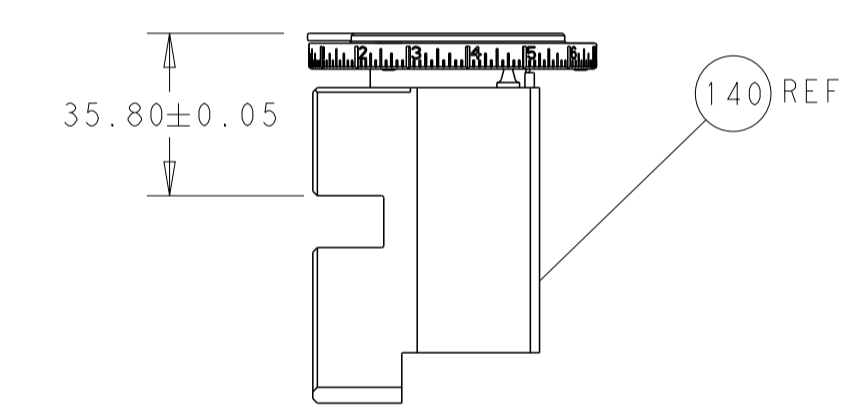
### CAM POSITION



TERMINAL SUPPORT LOCATION  
FOR TERMINAL 66425

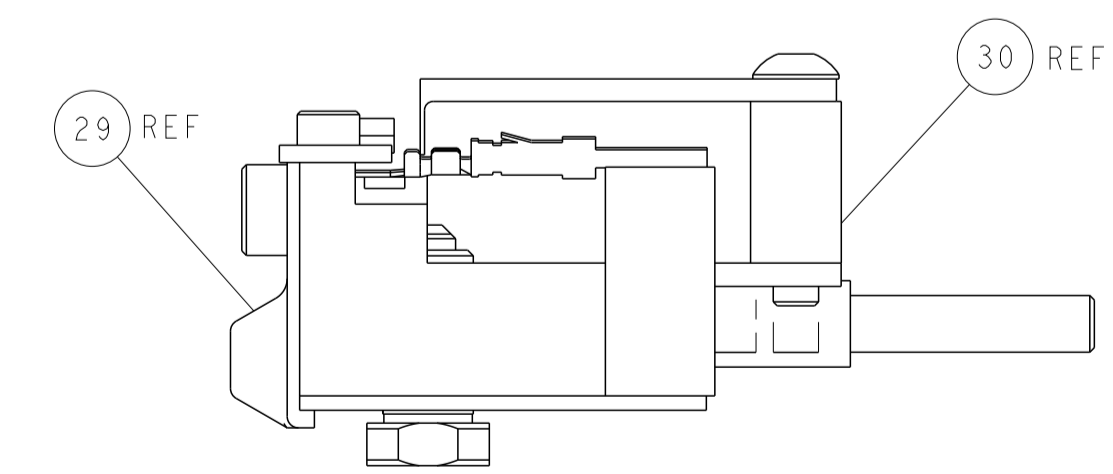


TERMINAL SUPPORT LOCATION  
FOR TERMINAL 66424



RAM SET-UP

ITEM 30 LOCATED AT  
REAR HOLES



FEED TRACK POSITION  
GUIDE BY INSULATION BARREL

**PACIFIC VERSION**  
 Shown on sheets 3 of 4 & 4 of 4  
 (Atlantic version shown on sheets 1 of 4 & 2 of 4)

<small>THIS DRAWING IS UNPUBLISHED. RELEASED FOR PUBLICATION 20. COPYRIGHT 20 BY TYCO ELECTRONICS CORPORATION. ALL RIGHTS RESERVED.</small>		DMN: X. ZHAO CHK: L. ZHANG APVD: J. GUO	DATE: 20NOV2015 DATE: 20NOV2015 DATE: 20NOV2015	NAME: Ocean Side Feed Applicator	SIZE: A1 CAGE CODE: 00779 DRAWING NO: 2836122	RESTRICTED TO:
DIMENSIONS: mm TOLERANCES UNLESS OTHERWISE SPECIFIED: 0 PLC ± 1 PLC ± 2 PLC ± 3 PLC ± 4 PLC ± ANGLES ± MATERIAL: - FINISH: -	TOLERANCES UNLESS OTHERWISE SPECIFIED: 0 PLC ± 1 PLC ± 2 PLC ± 3 PLC ± 4 PLC ± ANGLES ± MATERIAL: - FINISH: -	WEIGHT: - SCALE: 1:2 SHEET: 4 OF 4 REV: E	CUSTOMER ACCESSIBLE PRODUCTION DRAWING	TE Connectivity Harrisburg, PA 17105-3608	SCALE: 1:2 SHEET: 4 OF 4 REV: E	RESTRICTED TO:

# Mouser Electronics

Authorized Distributor

Click to View Pricing, Inventory, Delivery & Lifecycle Information:

[TE Connectivity:](#)

[7-2836122-7](#)