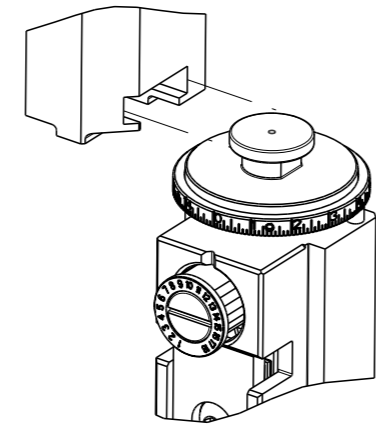


PART NUMBER	REVISION	DESCRIPTION	FEED TYPE
2151579-1	E	FINE CRIMP HEIGHT ADJUST	MECHANICAL
2151579-2	E	FINE CRIMP HEIGHT ADJUST	PNEUMATIC
7-2151579-1	E	MECHANICAL AND CRIMP TOOLING KIT	MECHANICAL
7-2151579-2	E	PNEUMATIC AND CRIMP TOOLING KIT	PNEUMATIC
7-2151579-7	A	CRIMP TOOLING KIT	-

ATLANTIC VERSION TERMINATOR INTERFACE ADAPTER

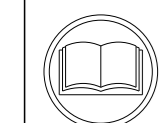


APPLICATOR DATA		
CRIMP	SIZE	TYPE
WIRE	3.05 mm [.120]	F
INSUL	3.98 mm [.157]	O

APPLICATOR INSTRUCTIONS 408-35042

TERMINAL DATA: TE TERMINAL		TE CRIMP SPECIFICATION	
TERMINAL NAME: POWER QUADLOK CONTACT			
WIRE STRIP LENGTH		INSULATION DIAMETER RANGE	
5.20-5.80 mm [.205-.228 IN]		Ø3.40-3.70 mm [.134-.146 IN]	
TERMINAL APPLICATION SPECIFICATION	114-18141-1		
TERMINALS APPLIED			
TE TERMINAL	TE TERMINAL	TE TERMINAL	TE TERMINAL
968073-2	968132-2	1241602-2	1241615-2
968073-3			

WIRE SIZE	CRIMP HEIGHT mm [INCH]	CRIMP HEIGHT REFERENCE SETTING
4.00mm2	2.34 +/- 0.05 [.092 +/- .002]	8.8



- RECOMMENDED SPARE PARTS
- REFER TO SUPPLIED INSTRUCTION SHEET FOR CLEANING, LUBRICATION AND STORAGE OF APPLICATOR.
- APPLY PART NUMBER 2-23419-6 LOCTITE TO THREADS OF ITEM 242.
- CRIMP HEIGHT REFERENCE SETTING WAS THE SETTING USED WHEN THE APPLICATOR WAS QUALIFIED AT THE FACTORY. ADJUSTMENT MAY BE NECESSARY WHEN RUNNING APPLICATOR IN THE FIELD.
- ITEM 34 TO BE USED FOR TERMINAL PN 968073-2 AND 968132-2.
- ITEM 261 TO BE USED FOR TERMINAL PN 1241602-2 AND 1241615-2.
- CUT TO LENGTH AT ASSEMBLY.
- 8. UNLESS SPECIFIED OTHERWISE TORQUE VALUES SHALL BE USED PER DOCUMENT, 101-35000.

***WARNING**
ON INSTALLATION, SET WIRE DISC TO CRIMP HEIGHT REFERENCE SETTING FOR LARGEST WIRE SIZE. CRIMP HEIGHT REFERENCE SETTINGS GREATER THAN THE VALUE SHOWN MAY CAUSE DAMAGE TO THE CRIMP TOOLING, REFER TO THE INSTRUCTION SHEET FOR PROPER SETUP AND ADJUSTMENTS.

ATLANTIC VERSION
Shown on sheets 1 of 4 & 2 of 4
(Pacific version shown on sheets 3 of 4 & 4 of 4)

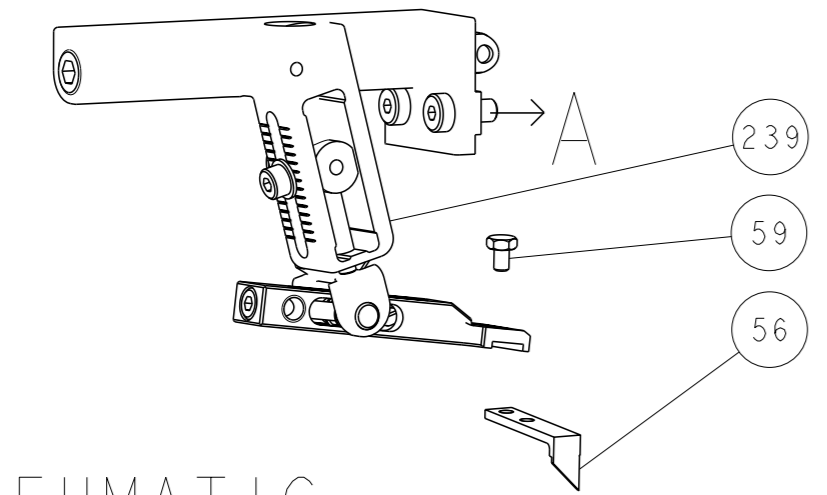
LOC	DIST	REVISIONS			
A	66	REV	DATE	BY	CHK
		C	15MAY2018	MEH	JDG
		D	23JUN2019	TB	TE
		D1	16SEP2020	FZ	RR
		E	16AUG2021	FJ	RR

	-	1	1	1	1	1752356-6	SUPPORT, TERMINAL	261					
	-	1	-	1	-	2119641-1	FEED CAM, AIR FEED	248					
	-	1	1	1	1	2119082-9	CAM, SNAIL, INSULATION ADJUSTMENT	244					
	-	1	1	1	1	2079764-1	WASHER, WAVE SPRING, CREST-TO-CREST	243					
	-	1	1	1	1	2119083-1	RETAINER, INSULATION DIAL	242					
	-	1	1	1	1	7-18023-7	SCR, SKT HD CAP M3 X 4.0	241					
	-	1	-	1	-	2119580-1	MECHANICAL FEED ASSEMBLY	239					
	-	1	-	1	-	2844940-1	AIR FEED MODULE	238					
	-	REF	REF	REF	REF	994970-2	COUNTER, MAGNETIC	164					
	-	1	1	1	1	2844908-1	SCREW, LOCKING	99					
	-	1	1	1	1	2844907-1	POST, LOCKING	98					
	-	1	1	1	1	455888-7	SPACER, CRIMPER	82					
	-	1	1	1	1	1803607-3	DOCUMENTATION PACKAGE	71					
	-	1	1	1	1	2119791-5	DEPRESSOR, WIRE	70					
	-	1	1	1	1	2119943-1	WASHER, SPACER	69					
	-	1	1	1	1	2119740-1	TAG, IDENTIFICATION	67					
	-	2	2	2	2	2168078-1	SCREW, DRIVE, RH, RoHS, 2 x .188	66					
	-	1	1	1	1	2168083-2	SCR, SKT HD CAP, RoHS, M4 X 8.0	60					
	-	1	1	1	1	5-18022-5	SCR, HEX HD CAP, M4 X 6.0	59					
	-	1	1	1	1	1338685-1	PAWL, FEED	56					
	-	4	4	4	4	2168083-3	SCR, SKT HD CAP, RoHS, M4 X 12.0	54					
	-	2	2	2	2	2-2168083-5	SCR, SKT HD CAP, RoHS, M4 X 14	53					
	-	1	1	1	1	5018030-1	NUT, HEX, REG, RoHS, M3	52					
	-	1	1	1	1	811242-5	BUMPER, HOLD DOWN	51					
	-	1	1	1	1	690753-2	SPACER, TONKER	50					
	-	1	2	1	2	18023-9	SCR, SKT HD CAP M4 X 6.0	49					
	-	-	1	-	1	2119652-1	FEED CAM, PRE FEED	48					
	-	-	1	-	1	2119653-1	FEED CAM, POST FEED	47					
	-	1	1	1	1	1803583-9	APPLICATOR BASIC ASSEMBLY, SF	46					
	-	1	1	1	1	1803515-1	RAM ASSEMBLY, SF ATLANTIC	44					
	-	1	1	1	1	1803602-1	SCR, BHSC, RoHS (M8 X 25)	41					
	-	1	1	1	1	1752356-1	SUPPORT, TERMINAL	34					
	-	2	2	2	2	2079383-5	SCR, BHSC, RoHS (M4 X 20)	33					
	-	2	2	2	2	3-2844962-2	SPACER, CYLINDRICAL, STRIP GUIDE	30					
	-	1	1	1	1	2844992-2	ASSEMBLY, STRIP GUIDE	29					
	-	1	1	1	1	455888-4	SPACER, CRIMPER	28					
	-	1	1	1	1	1320928-2	STRIP GUIDE	24					
	-	1	1	1	1	2168083-2	SCR, SKT HD CAP, RoHS, M4 X 8.0	21					
	-	2	2	2	2	1-18028-2	WASHER, FLAT, REG M4	20					
	-	1	1	1	1	2119533-1	STRIPPER, SIDE FEED	19					
	-	1	1	1	1	2119806-1	INSERT, SHEAR	13					
	-	1	1	1	1	3-22280-3	SPRING, COMPRESSION	12					
	-	1	1	1	1	1-356885-4	STOP, SHEAR	11					
	-	1	1	1	1	2119805-1	SHEAR HOLDER, FRONT	10					
	-	1	1	1	1	1803095-1	FLOATING SHEAR, FRONT	9					
	1	2	2	1	1	1333208-8	ANVIL, COMBINATION .120	8					
	-	1	1	1	1	2-240641-4	SPACER	7					
	-	-	-	-	-	-	-	6					
	-	1	1	1	1	1-2119757-0	DEPRESSOR, SHEAR	5					
	-	1	1	1	1	238011-1	BLOCK, CRIMPER SPACER	4					
	1	2	2	1	1	2-2119784-6	CRIMPER, INSULATION O PREMIUM	3					
	-	1	1	1	1	455888-7	SPACER, CRIMPER	2					
	1	2	2	1	1	2-456409-8	CRIMPER, WIRE .120 "F" PREMIUM	1					
	-	77	-	72	-	71	-	2	-	1	PART NO	DESCRIPTION	ITEM NO

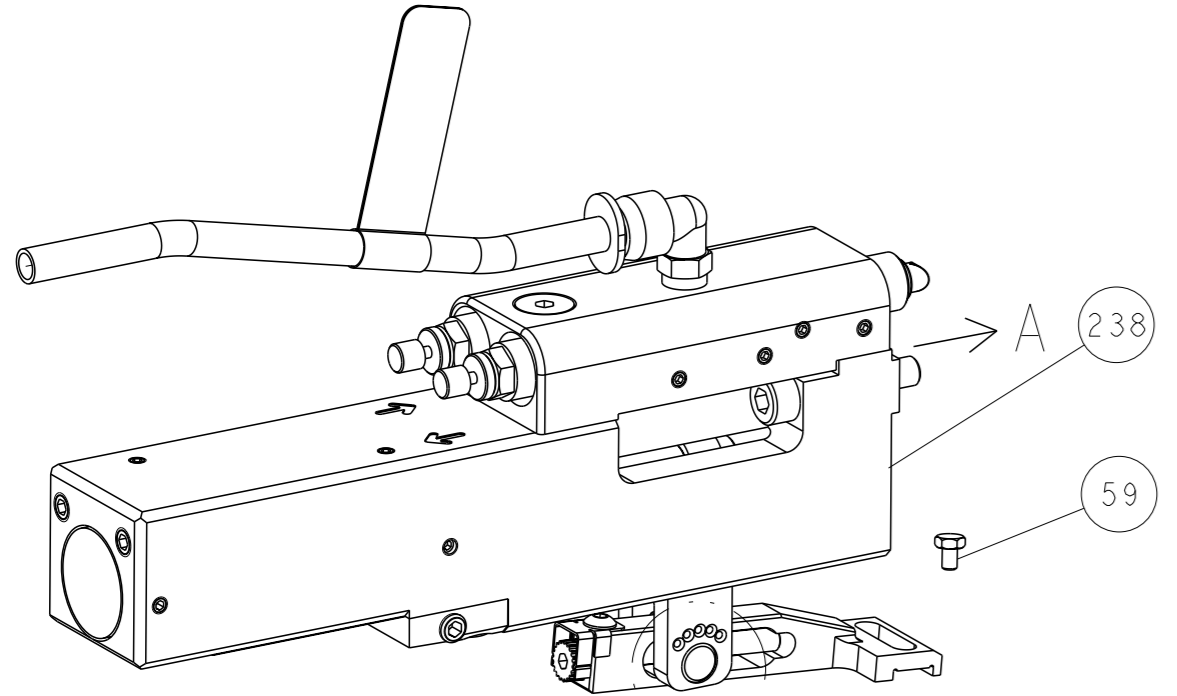
DIMENSIONS:		TOLERANCES UNLESS OTHERWISE SPECIFIED:		APPROVALS:		PRODUCT SPEC:		APPLICATION SPEC:		MATERIAL:		WEIGHT:		SCALE:		SHEET:		REV:	
mm	0 PLC	±		OWN	L. ZHANG	12JUN2012													
	1 PLC	±		CHK	L. ZHANG	12JUN2012													
	2 PLC	±		APPV	L. ZHANG	12JUN2012													
	3 PLC	±																	
	4 PLC	±																	
	ANGLES	±	*																
	FINISH																		

LOC	DIST	REVISIONS			
A	66	REV	DATE	OWN	APVD
-	-	SEE SHEET 1	-	-	-

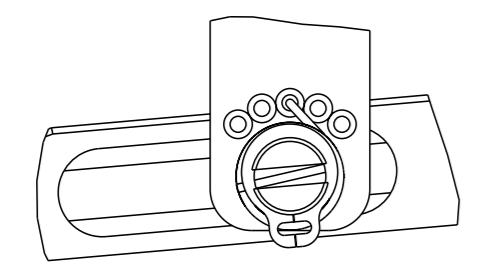
FEED TYPE MECHANICAL



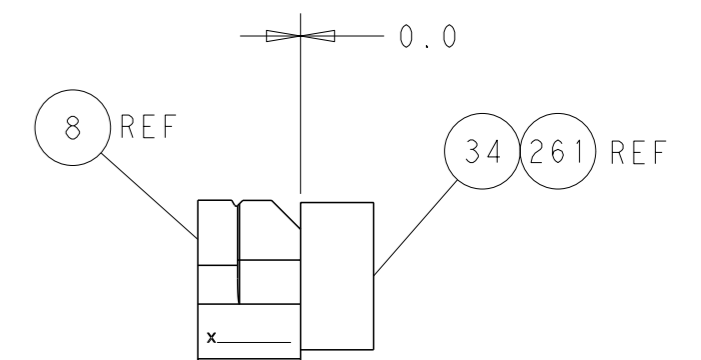
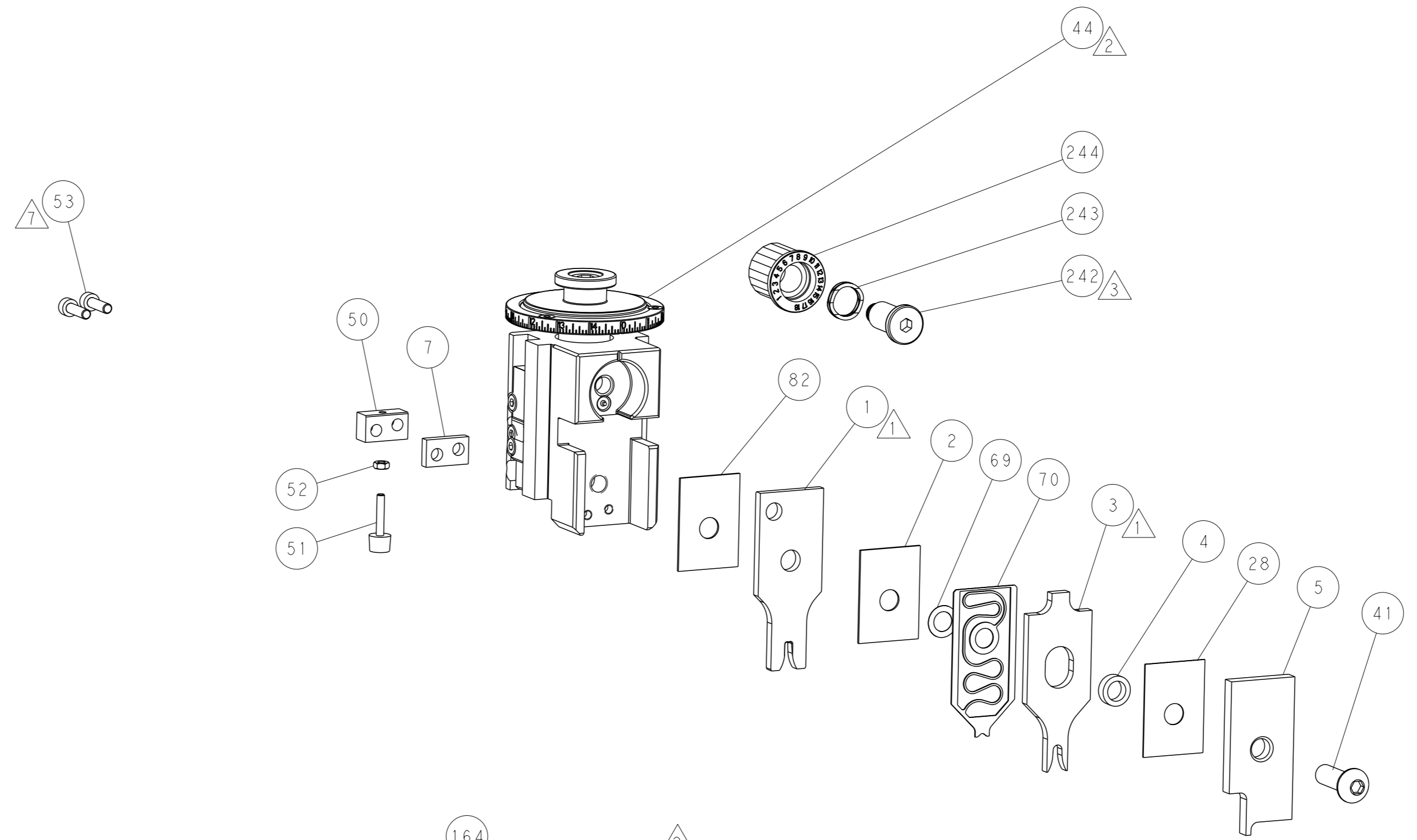
PNEUMATIC



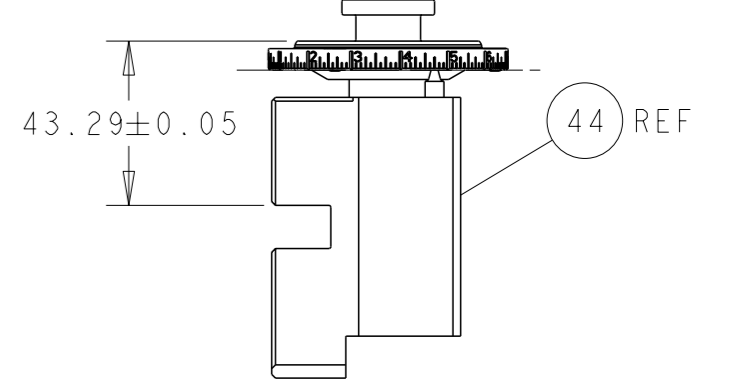
SEE DETAIL A
 FEED SPRING SETTING POSITION
 (SHOWN FROM REAR SIDE)



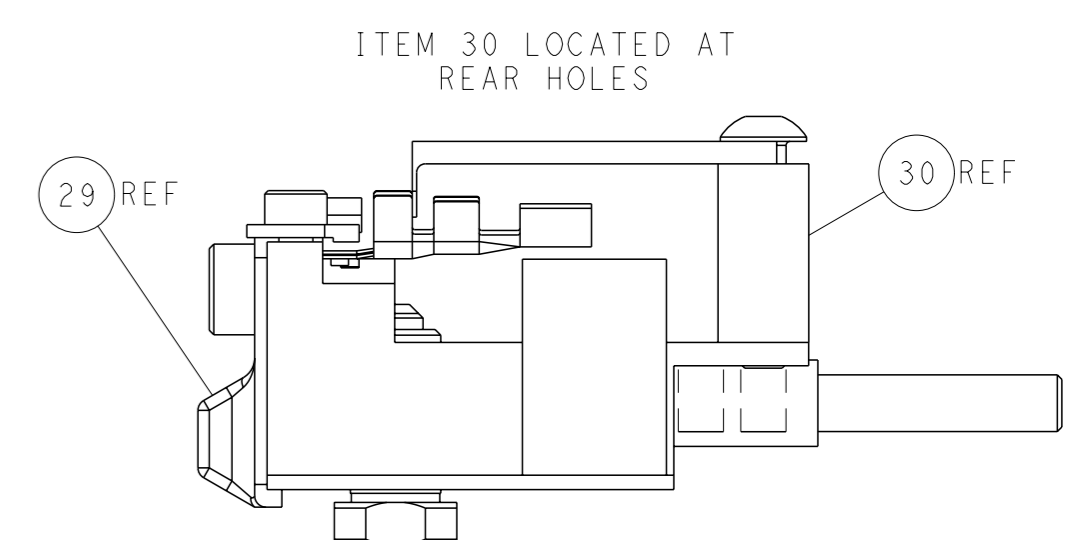
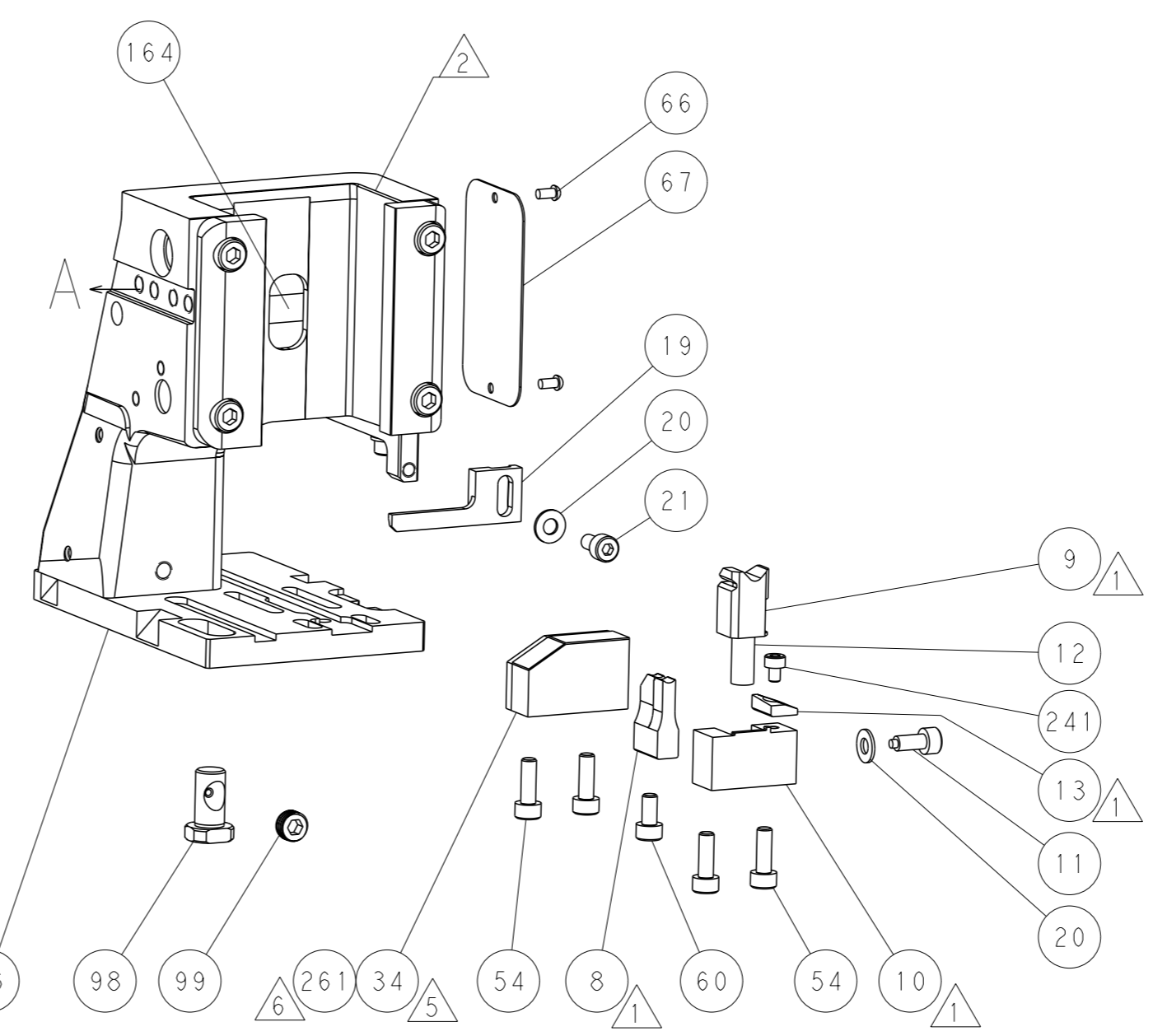
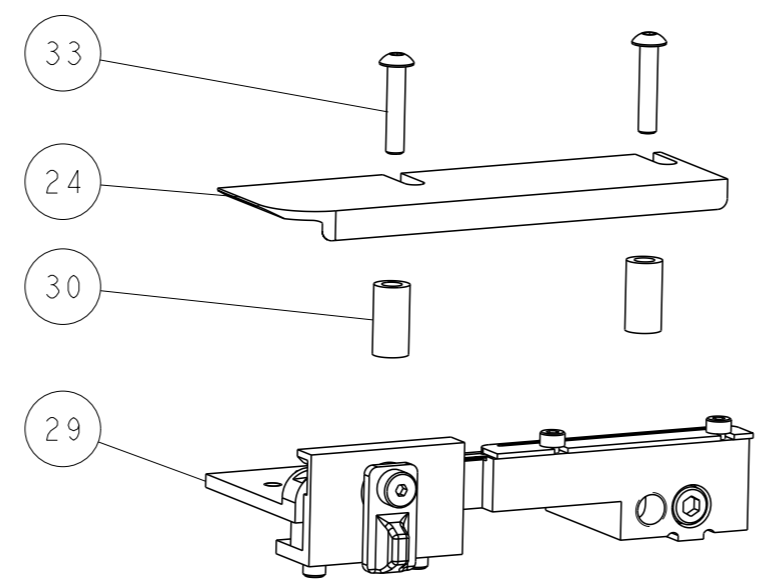
DETAIL A



TERMINAL SUPPORT LOCATION

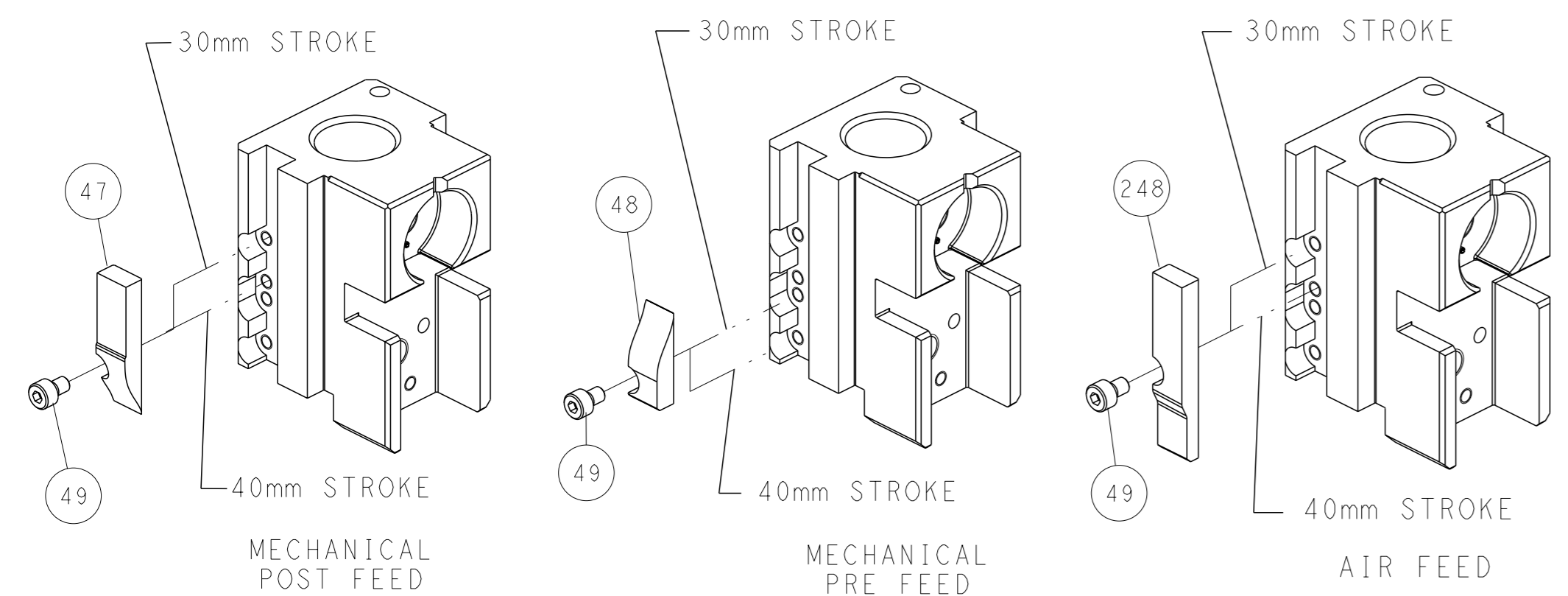


RAM SET-UP



FEED TRACK POSITION GUIDE BY INSULATION BARREL

CAM POSITIONS

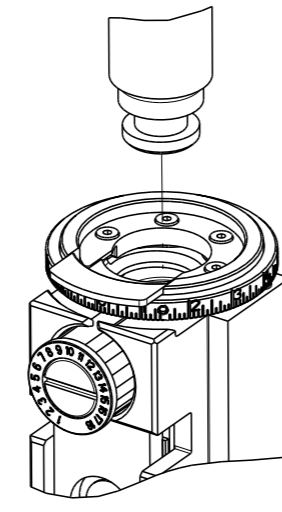


ATLANTIC VERSION
 Shown on sheets 1 of 4 & 2 of 4
 (Pacific version shown on sheets 3 of 4 & 4 of 4)

DIMENSIONS: mm 		TOLERANCES UNLESS OTHERWISE SPECIFIED: 0 PLC ± 1 PLC ± 2 PLC ± 3 PLC ± 4 PLC ± ANGLES ° ±		DWN L. ZHANG 12JUN2012 CHK L. ZHANG 12JUN2012 APVD S. XI 12JUN2012 PRODUCT SPEC APPLICATION SPEC WEIGHT MATERIAL		NAME Ocean Side Feed Applicator SIZE CAGE CODE DRAWING NO. RESTRICTED TO A1 00779 ©=2151579 Customer Accessible Production Drawing SCALE 1:2 SHEET 2 of 4 REV E	
-----------------------	--	---	--	--	--	--	--

PART NUMBER	REVISION	DESCRIPTION	FEED TYPE
2-2151579-1	E	FINE CRIMP HEIGHT ADJUST	MECHANICAL
2-2151579-2	E	FINE CRIMP HEIGHT ADJUST	PNEUMATIC
7-2151579-7	A	CRIMP TOOLING KIT	-

PACIFIC VERSION TERMINATOR
INTERFACE ADAPTER



APPLICATOR DATA		
CRIMP	SIZE	TYPE
WIRE	3.05 mm [.120]	F
INSUL	3.98 mm [.157]	O
APPLICATOR INSTRUCTIONS 408-35042		

TERMINAL DATA: TE TERMINAL		TE CRIMP SPECIFICATION	
TERMINAL NAME: POWER QUADLOK CONTACT			
WIRE STRIP LENGTH		INSULATION DIAMETER RANGE	
5.20-5.80 mm [.205-.228 IN]		Ø3.40-3.70 mm [.134-.146 IN]	
TERMINAL APPLICATION SPECIFICATION	114-18141-1		
TERMINALS APPLIED			
TE TERMINAL	TE TERMINAL	TE TERMINAL	TE TERMINAL
968073-2	968132-2	1241602-2	1241615-2
968073-3			

WIRE SIZE	CRIMP HEIGHT mm [INCH]	CRIMP HEIGHT REFERENCE SETTING
4.00mm2	2.34 +/- 0.05 [.092 +/- .002]	8.8

- 1 RECOMMENDED SPARE PARTS
- 2 REFER TO SUPPLIED INSTRUCTION SHEET FOR CLEANING, LUBRICATION AND STORAGE OF APPLICATOR.
- 3 APPLY PART NUMBER 2-23419-6 LOCTITE TO THREADS OF ITEM 242.
- 4 CRIMP HEIGHT REFERENCE SETTING WAS THE SETTING USED WHEN THE APPLICATOR WAS QUALIFIED AT THE FACTORY. ADJUSTMENT MAY BE NECESSARY WHEN RUNNING APPLICATOR IN THE FIELD.
- 5 ITEM 34 TO BE USED FOR TERMINAL PN 968073-2 AND 968132-2.
- 6 ITEM 261 TO BE USED FOR TERMINAL PN 1241602-2 AND 1241615-2.
- 7 CUT TO LENGTH AT ASSEMBLY.
- 8. UNLESS SPECIFIED OTHERWISE TORQUE VALUES SHALL BE USED PER DOCUMENT, 101-35000.

***WARNING**
ON INSTALLATION, SET WIRE DISC TO CRIMP HEIGHT REFERENCE SETTING FOR LARGEST WIRE SIZE. CRIMP HEIGHT REFERENCE SETTINGS GREATER THAN THE VALUE SHOWN MAY CAUSE DAMAGE TO THE CRIMP TOOLING, REFER TO THE INSTRUCTION SHEET FOR PROPER SETUP AND ADJUSTMENTS.

PACIFIC VERSION
Shown on sheets 3 of 4 & 4 of 4
(Atlantic version shown on sheets 1 of 4 & 2 of 4)

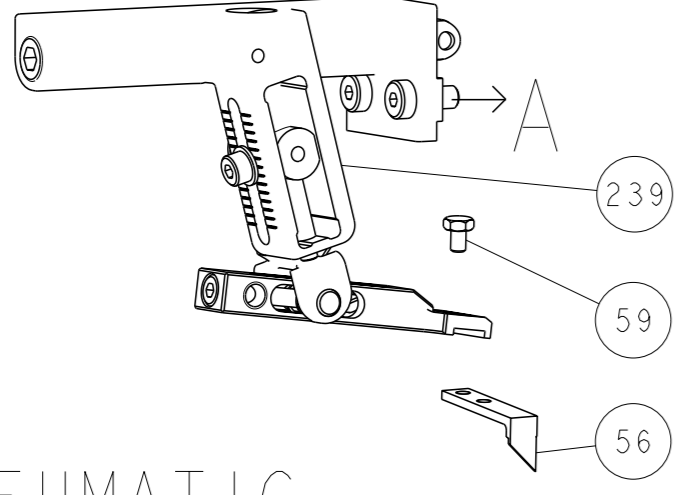
LOC	DIST	REVISIONS			
A	66	REV	DATE	BY	APPV
-	-	SEE SHEET 1	-	-	-

6	-	1	1	1752356-6	SUPPORT, TERMINAL	261
	-	1	1	2119082-9	CAM, SNAIL, INSULATION ADJUSTMENT	244
	-	1	1	2079764-1	WASHER, WAVE SPRING, CREST-TO-CREST	243
3	-	1	1	2119083-1	RETAINER, INSULATION DIAL	242
	-	1	1	7-18023-7	SCR, SKT HD CAP M3 X 4.0	241
	-	-	1	2119580-1	MECHANICAL FEED ASSEMBLY	239
	-	1	-	2844940-1	AIR FEED MODULE	238
	REF	REF		994970-2	COUNTER, MAGNETIC	164
	-	1	-	2119641-2	FEED CAM, AIR FEED	151
	-	1	1	2168083-8	SCR, SKT HD CAP, RoHS, M4 X 16	144
	-	4	4	2168083-9	SCR, SKT HD CAP, RoHS, M4 X 20	143
	-	-	1	2119653-2	FEED CAM, POST FEED	142
	-	1	1	1-1803583-0	APPLICATOR BASIC ASSEMBLY, SF	141
	-	1	1	1803516-1	RAM ASSEMBLY, SF PACIFIC	140
	-	1	1	2844908-1	SCREW, LOCKING	99
	-	1	1	2844907-1	POST, LOCKING	98
	-	1	1	455888-7	SPACER, CRIMPER	82
	-	1	1	1803607-3	DOCUMENTATION PACKAGE	71
	-	1	1	2119791-5	DEPRESSOR, WIRE	70
	-	1	1	2119943-1	WASHER, SPACER	69
	-	1	1	2119740-1	TAG, IDENTIFICATION	67
	-	2	2	2168078-1	SCREW, DRIVE, RH, RoHS, 2 x .188	66
	-	1	1	5-18022-5	SCR, HEX HD CAP, M4 X 6.0	59
	-	1	1	1338685-1	PAWL, FEED	56
7	-	2	2	2-2168083-5	SCR, SKT HD CAP, RoHS, M4 X 14	53
	-	1	1	5018030-1	NUT, HEX, REG, RoHS, M3	52
	-	1	1	811242-5	BUMPER, HOLD DOWN	51
	-	1	1	690753-2	SPACER, TONKER	50
	-	1	2	18023-9	SCR, SKT HD CAP M4 X 6.0	49
	-	-	1	2119652-1	FEED CAM, PRE FEED	48
	-	1	1	1803602-1	SCR, BHSC, RoHS (M8 X 25)	41
5	-	1	1	1752356-1	SUPPORT, TERMINAL	34
	-	2	2	2079383-5	SCR, BHSC, RoHS (M4 X 20)	33
	-	2	2	3-2844962-2	SPACER, CYLINDRICAL, STRIP GUIDE	30
	-	1	1	2844992-2	ASSEMBLY, STRIP GUIDE	29
	-	1	1	455888-4	SPACER, CRIMPER	28
	-	1	1	1320928-2	STRIP GUIDE	24
	-	1	1	2168083-2	SCR, SKT HD CAP, RoHS, M4 X 8.0	21
	-	2	2	1-18028-2	WASHER, FLAT, REG M4	20
	-	1	1	2119533-1	STRIPPER, SIDE FEED	19
7	-	1	1	2119806-1	INSERT, SHEAR	13
	-	1	1	3-22280-3	SPRING, COMPRESSION	12
	-	1	1	1-356885-4	STOP, SHEAR	11
7	-	1	1	2119805-1	SHEAR HOLDER, FRONT	10
7	-	1	1	1803095-1	FLOATING SHEAR, FRONT	9
7	1	1	1	1333208-8	ANVIL, COMBINATION .120	8
	-	1	1	2-240641-4	SPACER	7
	-	-	-	-	-	6
	-	1	1	1-2119757-0	DEPRESSOR, SHEAR	5
	-	1	1	238011-1	BLOCK, CRIMPER SPACER	4
7	1	1	1	2-2119784-6	CRIMPER, INSULATION O PREMIUM	3
	-	1	1	455888-7	SPACER, CRIMPER	2
7	1	1	1	2-456409-8	CRIMPER, WIRE .120 "F" PREMIUM	1
	-	77	-22	-21	PART NO	ITEM NO

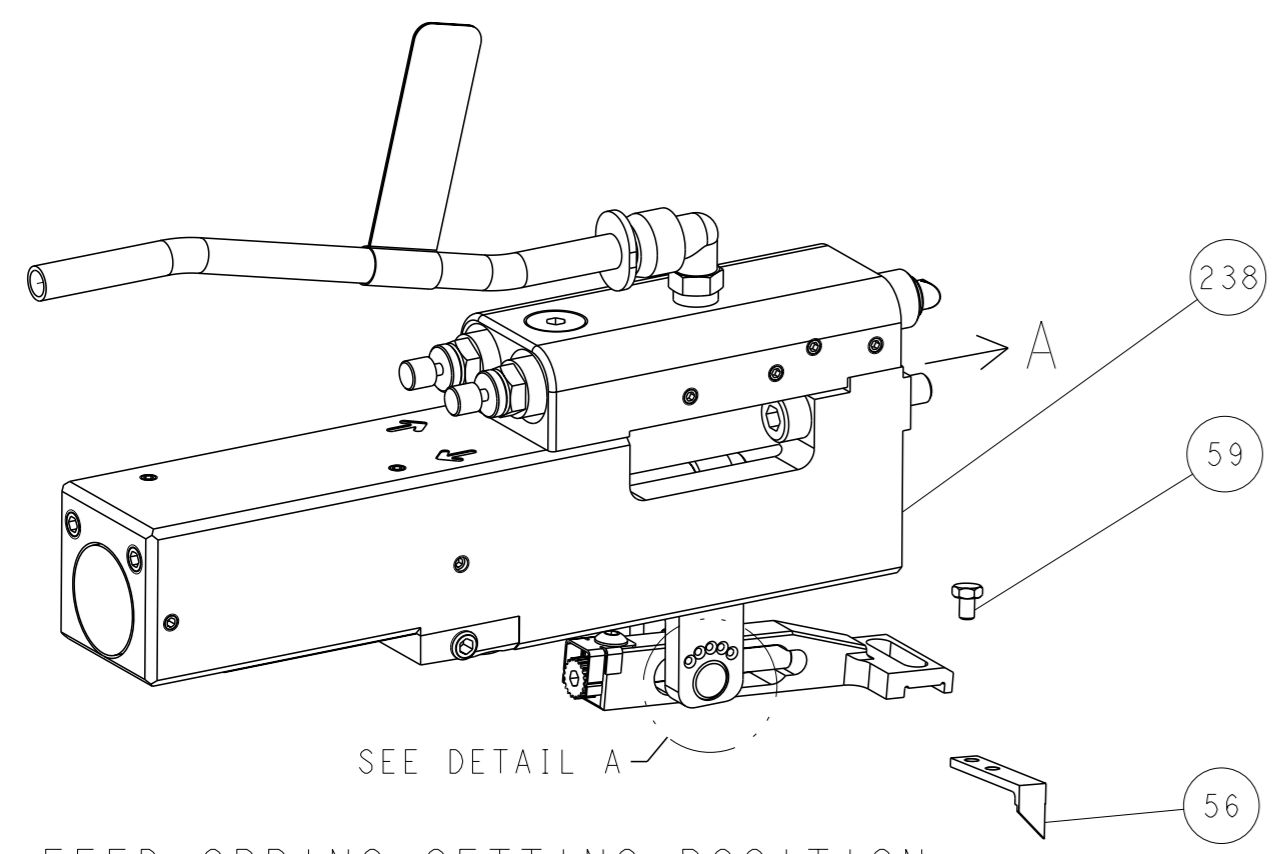
DIMENSIONS:		TOLERANCES UNLESS OTHERWISE SPECIFIED:		DATE		NAME	
mm	0 PLC ±	1 PLC ±	2 PLC ±	3 PLC ±	4 PLC ±	APV	CHK
	ANGLES	FINISH					
MATERIAL				WEIGHT		SCALE	
Customer Accessible Production Drawing				SCALE 1:2		SHEET 3 of 4	

LOC		DIST		REVISIONS			
A	66	P	LYR	DESCRIPTION	DATE	OWN	APVD
		-		SEE SHEET 1			

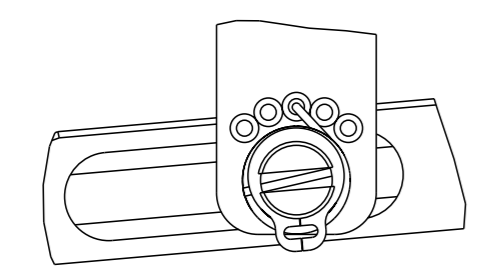
FEED TYPE MECHANICAL



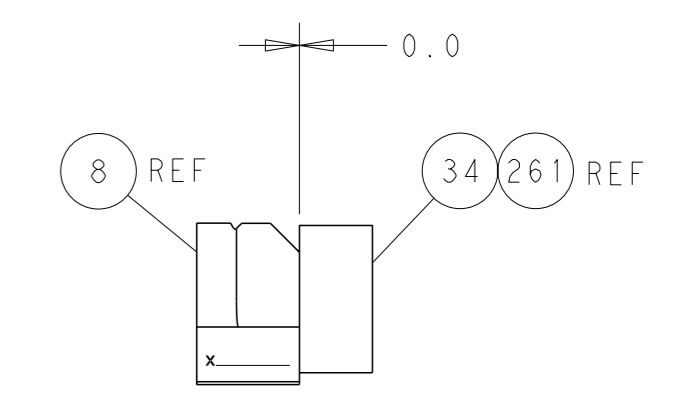
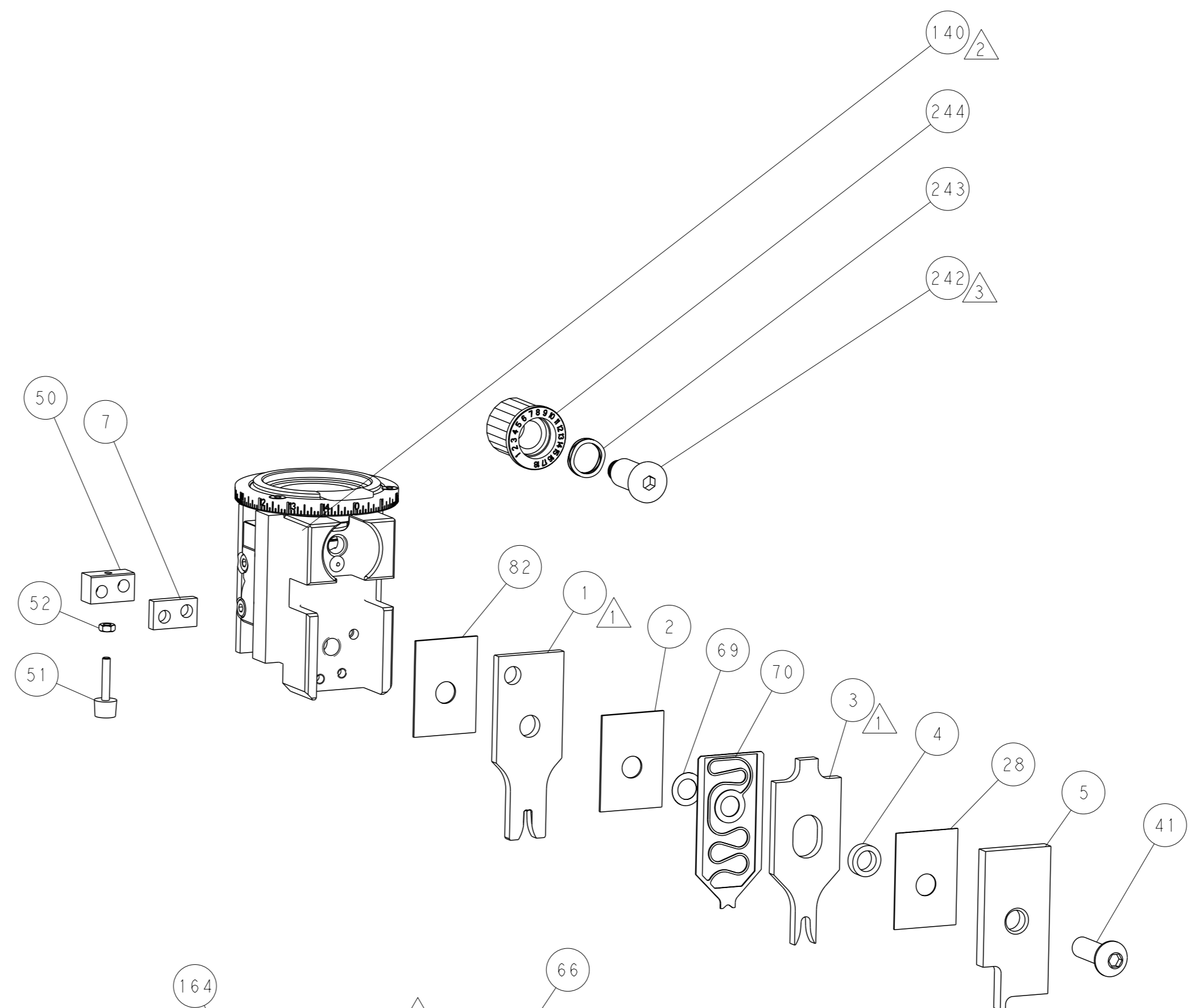
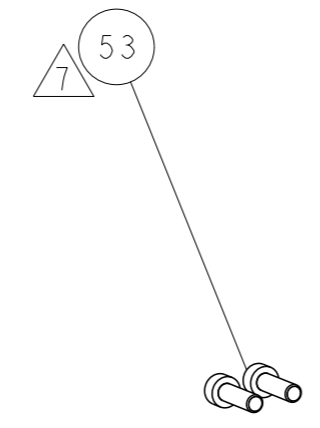
PNEUMATIC



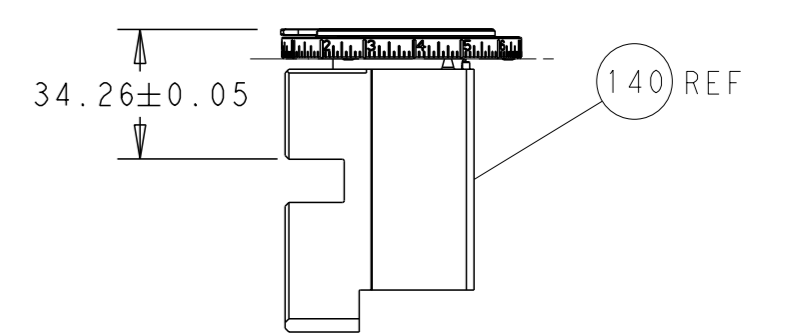
FEED SPRING SETTING POSITION (SHOWN FROM REAR SIDE)



DETAIL A

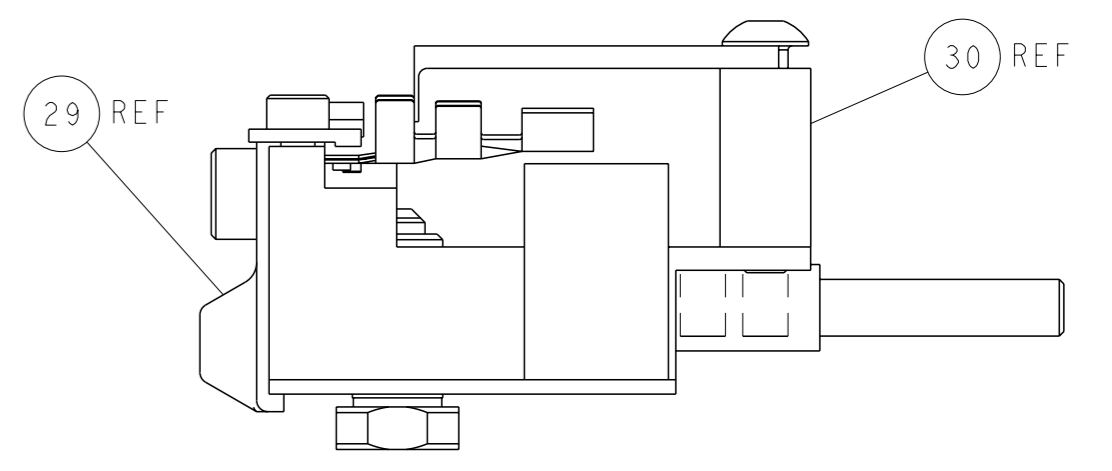


TERMINAL SUPPORT LOCATION



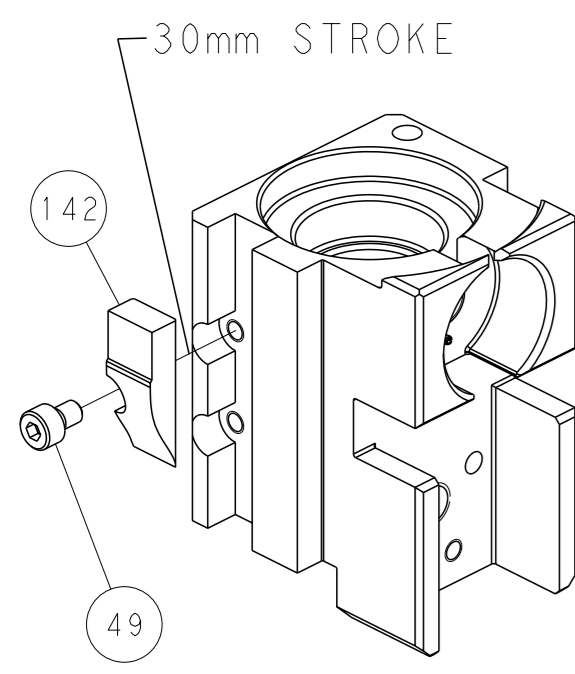
RAM SET-UP

ITEM 30 LOCATED AT REAR HOLES

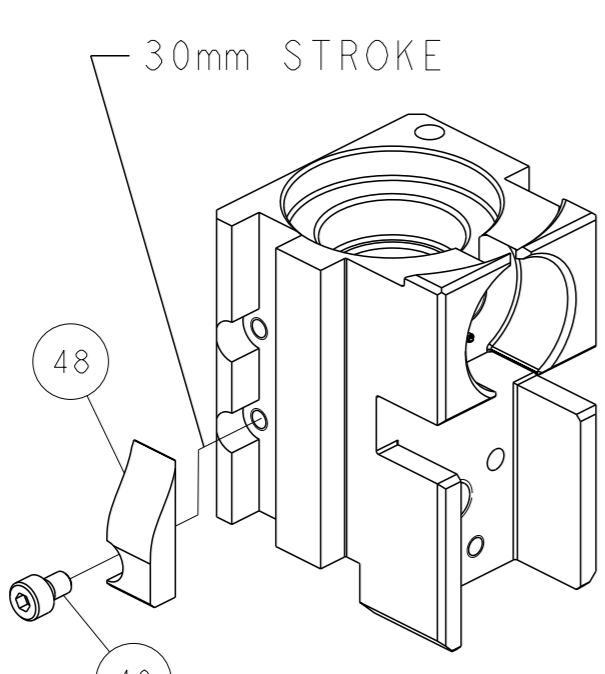


FEED TRACK POSITION GUIDE BY INSULATION BARREL

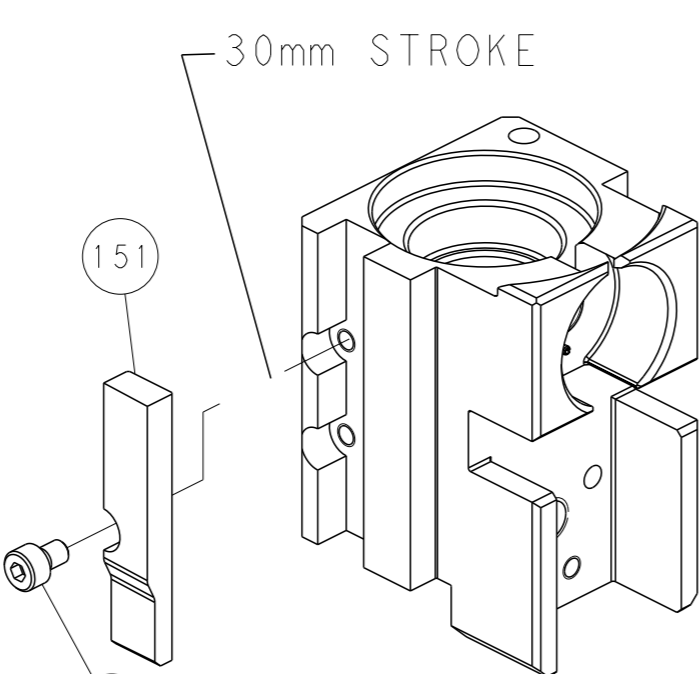
CAM POSITIONS



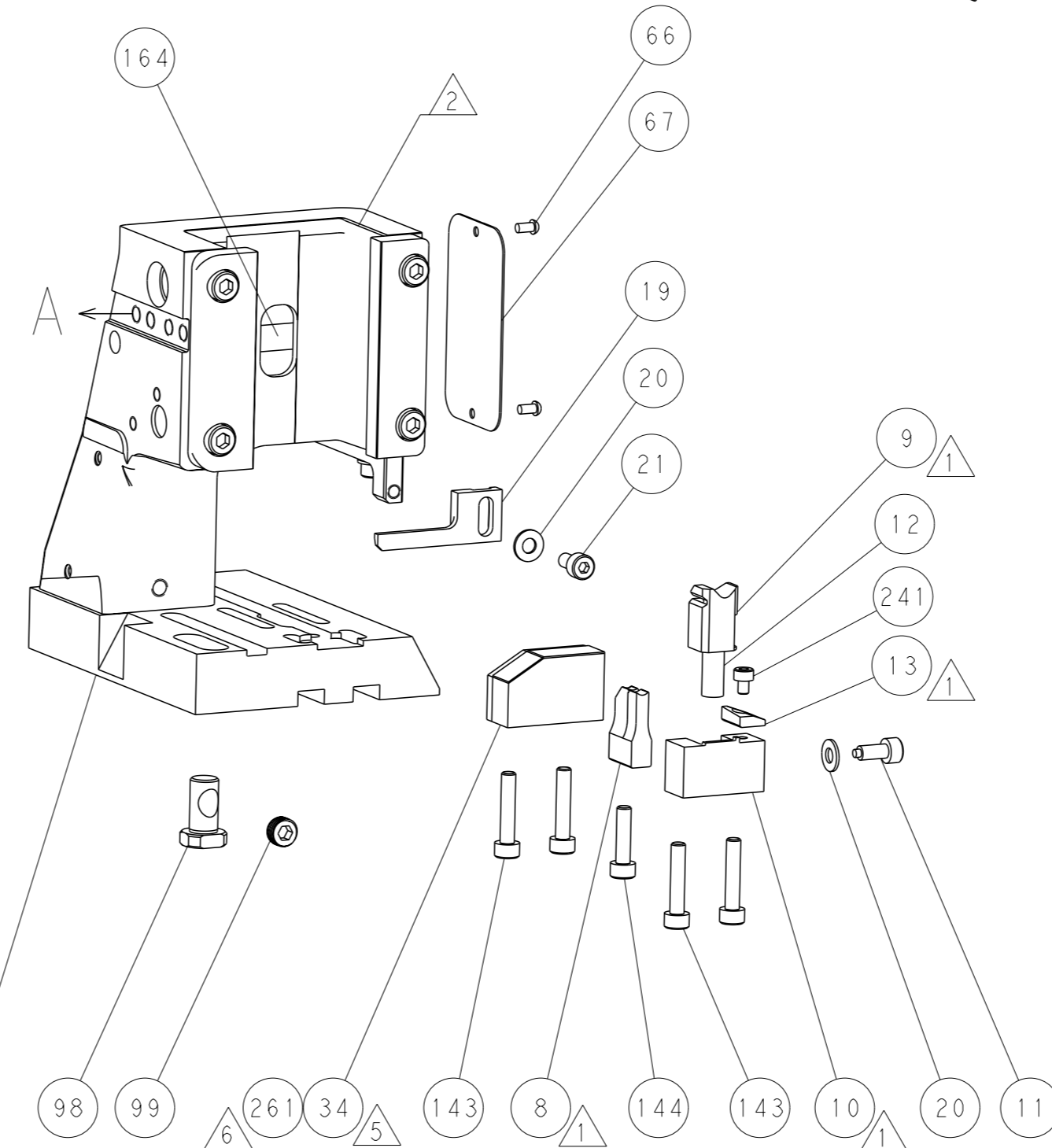
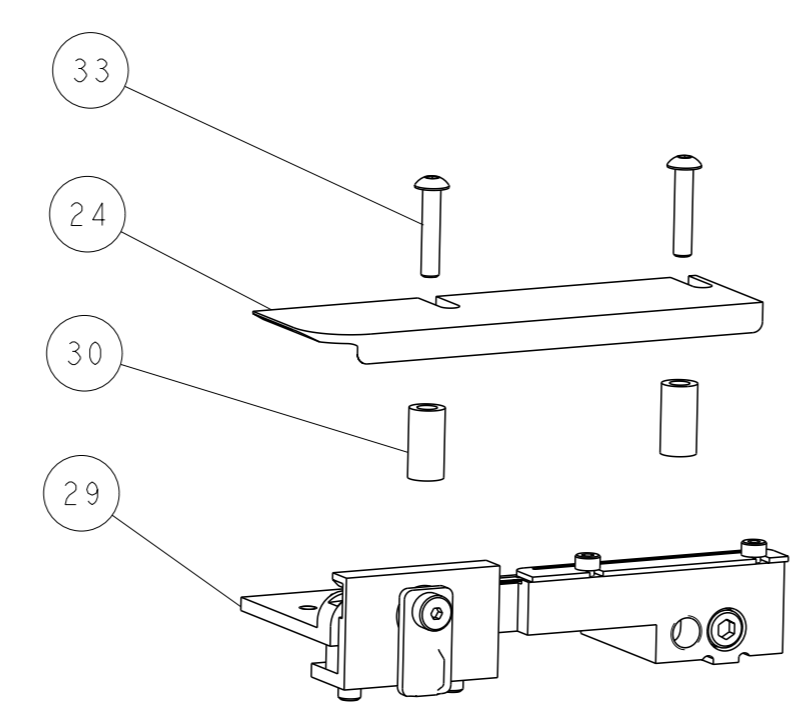
MECHANICAL POST FEED



MECHANICAL PRE FEED



AIR FEED



PACIFIC VERSION
 Shown on sheets 3 of 4 & 4 of 4
 (Atlantic version shown on sheets 1 of 4 & 2 of 4)

<small>THIS DRAWING IS A CONTROLLED DOCUMENT FOR TYCO ELECTRONICS CORPORATION. IT IS SUBJECT TO CHANGE AND THE USER SHALL BE RESPONSIBLE FOR OBTAINING THE LATEST REVISION. SHOULD BE CONTACTED FOR THE LATEST REVISION.</small>		DWN L. ZHANG 12JUN2012 CHK L. ZHANG 12JUN2012 APVD S. XI 12JUN2012	TE Connectivity Harrisburg, PA 17105-3608
DIMENSIONS: mm TOLERANCES UNLESS OTHERWISE SPECIFIED: 0 PLC ± 1 PLC ± 2 PLC ± 3 PLC ± 4 PLC ± ANGLES FINISH *	NAME Ocean Side Feed Applicator SIZE CAGE CODE DRAWING NO. A1 00779 C=2151579 WEIGHT - SCALE 1:2 SHEET 4 OF 4 REV E	RESTRICTED TO Customer Accessible Production Drawing	

Mouser Electronics

Authorized Distributor

Click to View Pricing, Inventory, Delivery & Lifecycle Information:

[TE Connectivity:](#)

[2151579-2](#)