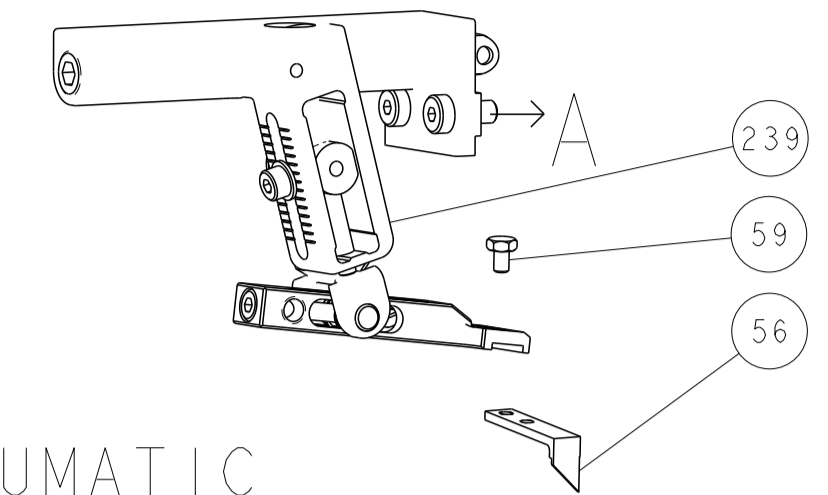
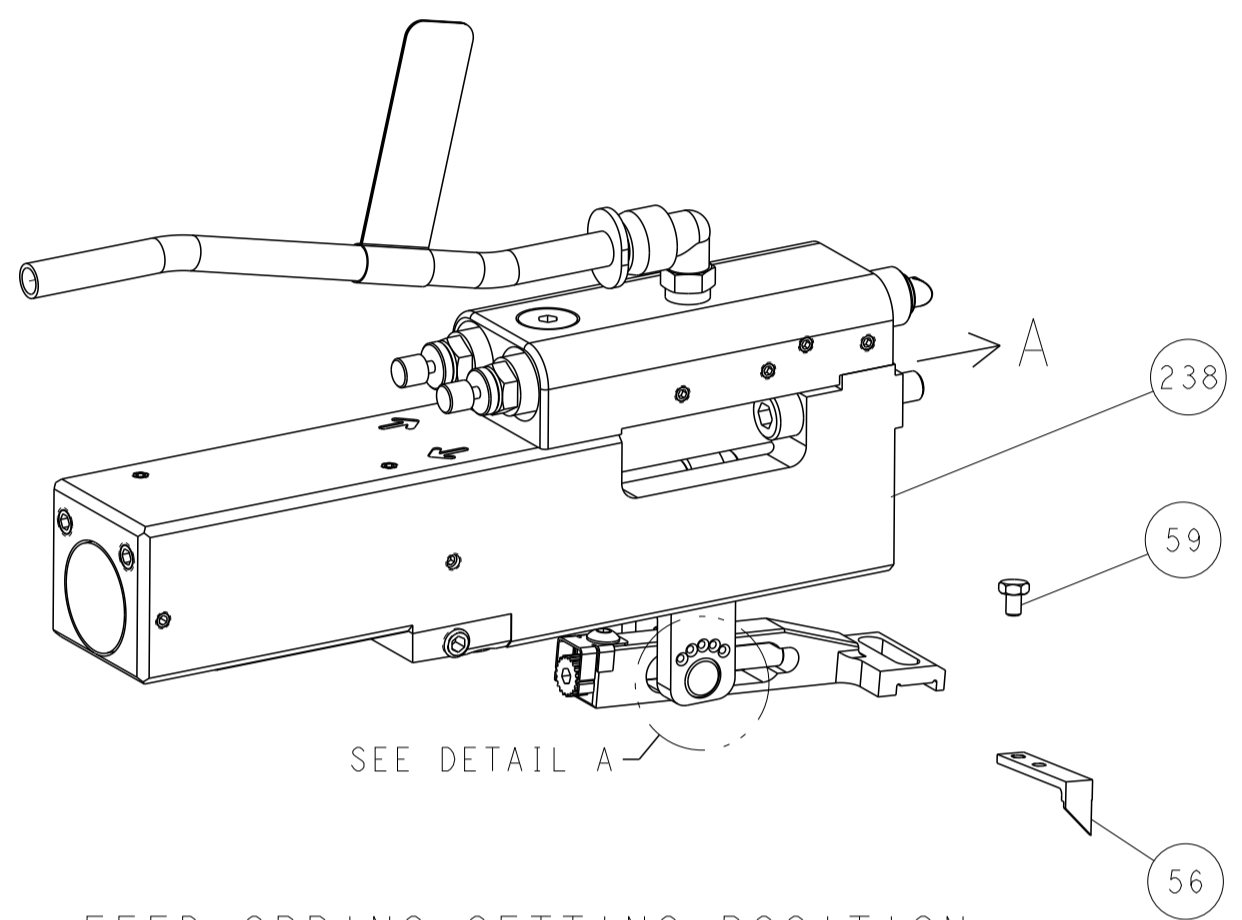




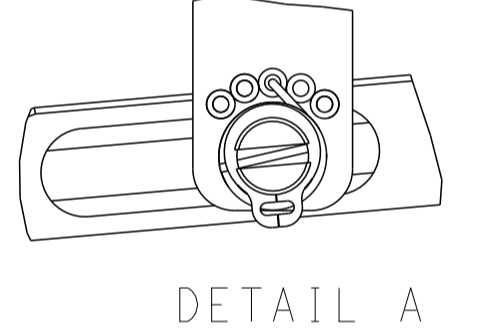
# FEED TYPE MECHANICAL



## PNEUMATIC

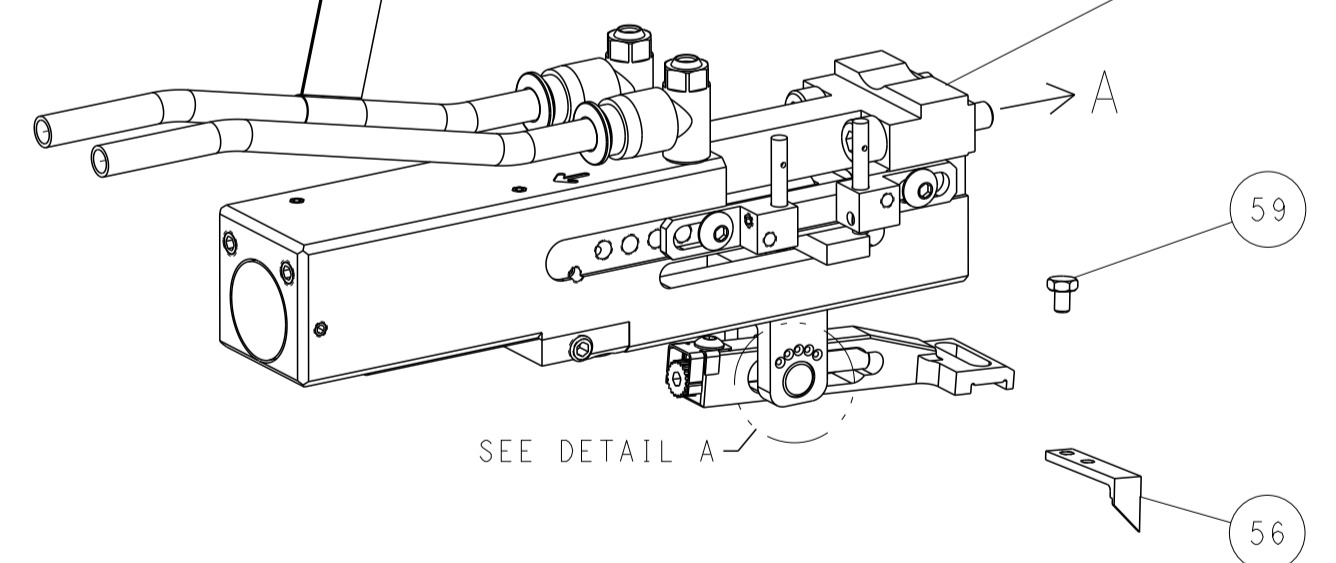


FEED SPRING SETTING POSITION (SHOWN FROM REAR SIDE)

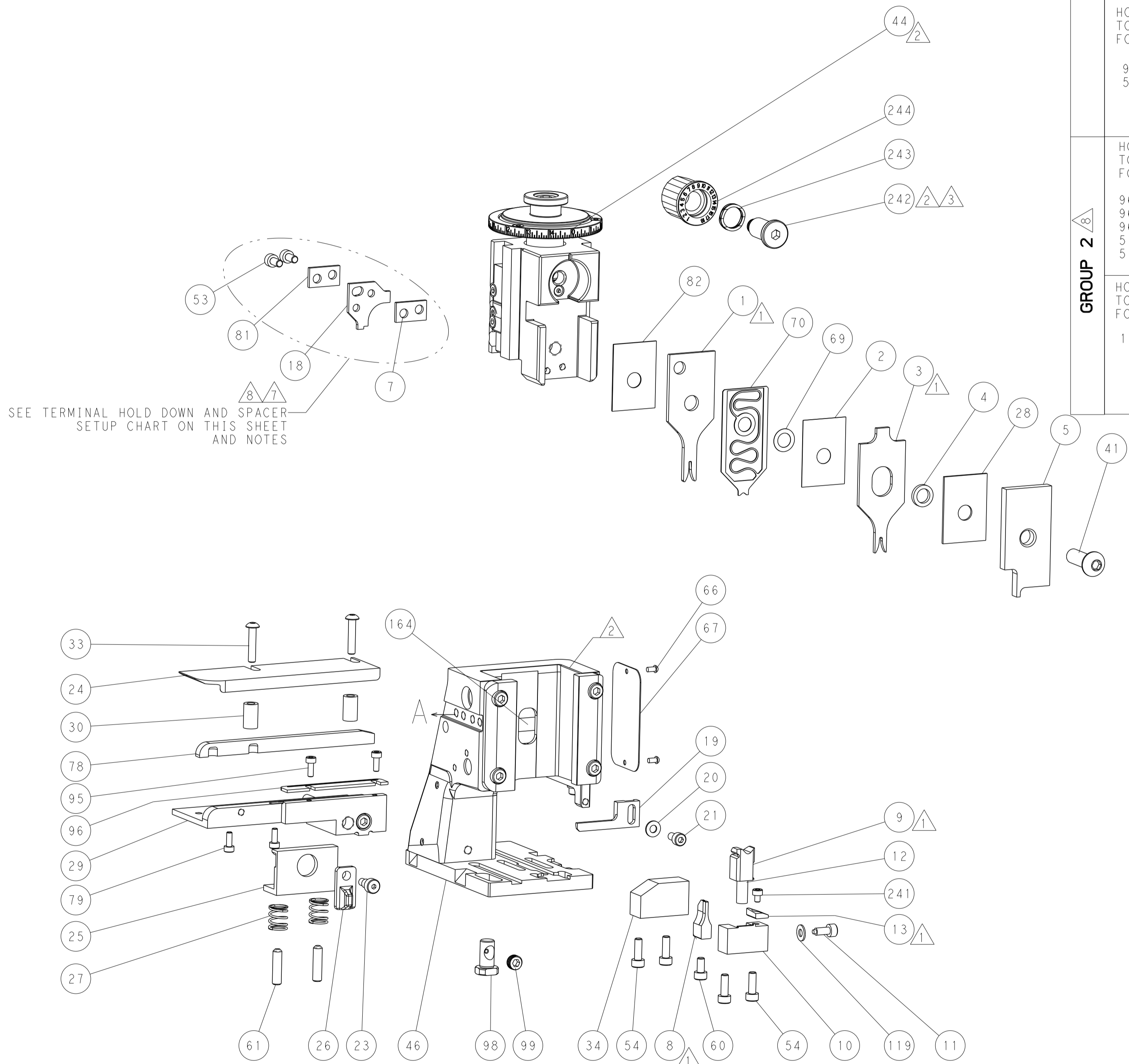
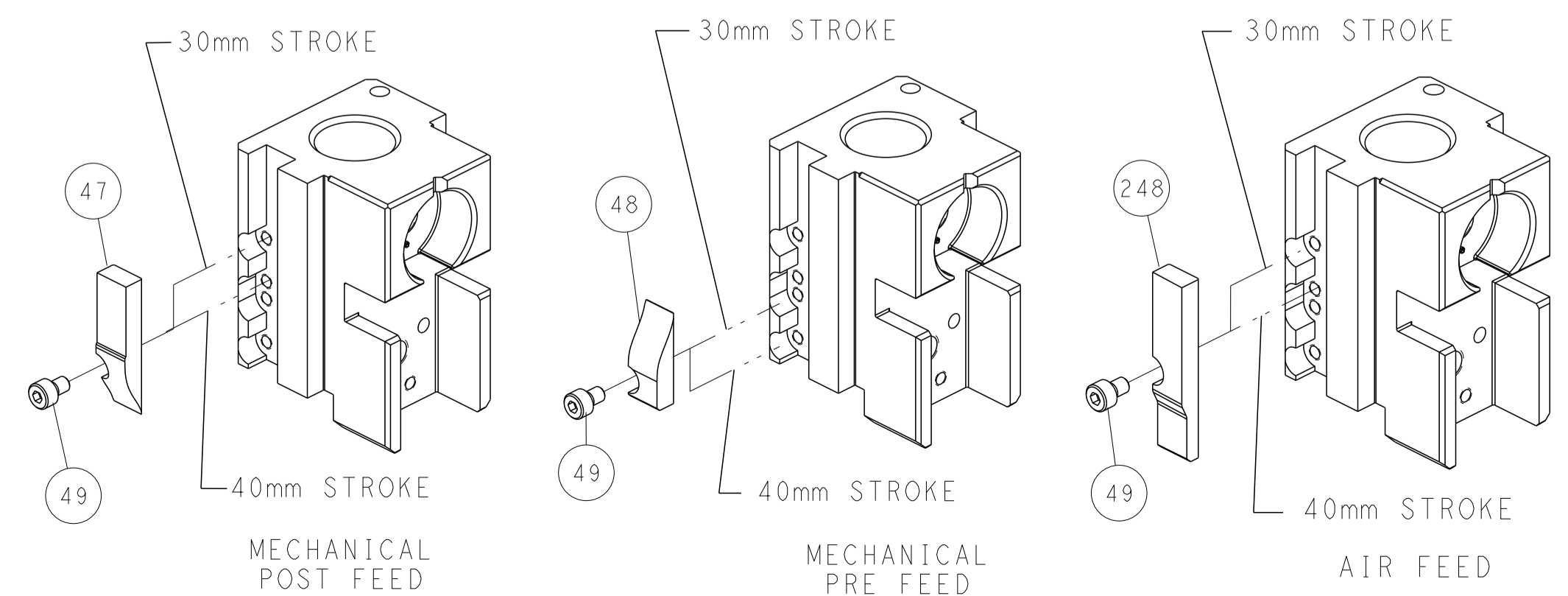


DETAIL A

## DOUBLE ACTING PNEUMATIC WITH SENSORS



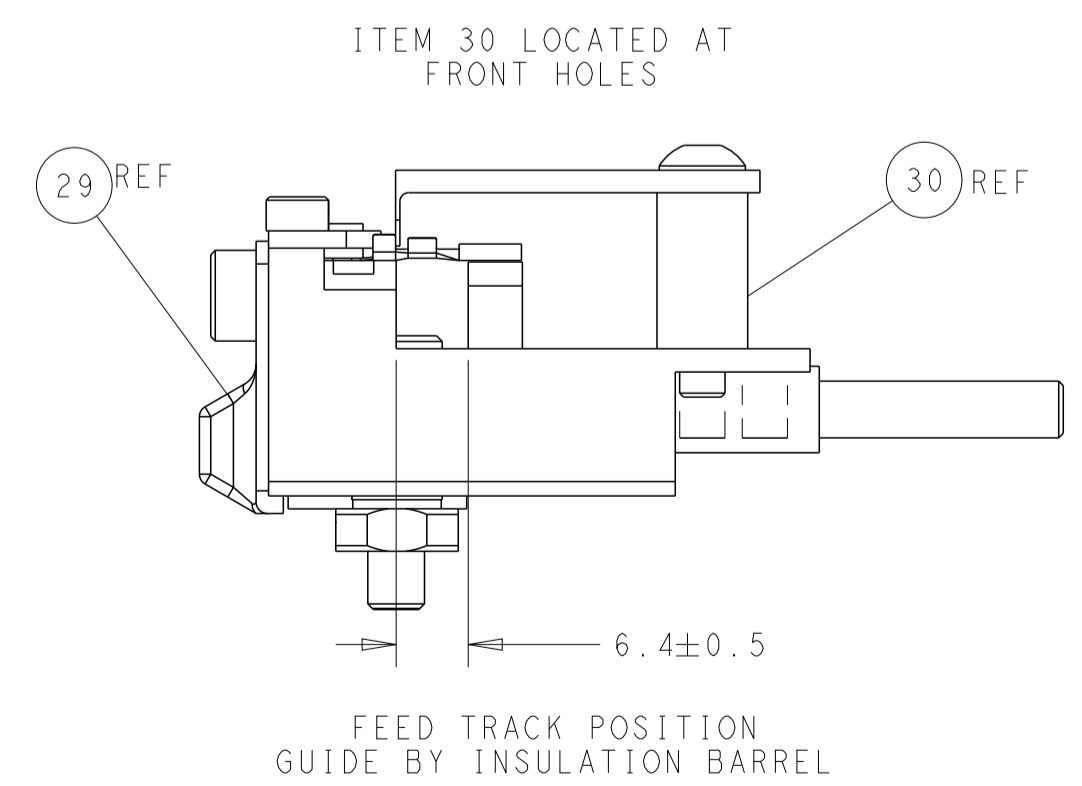
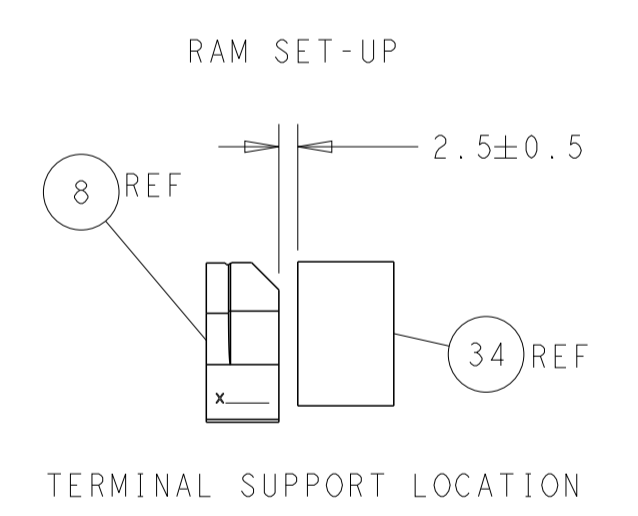
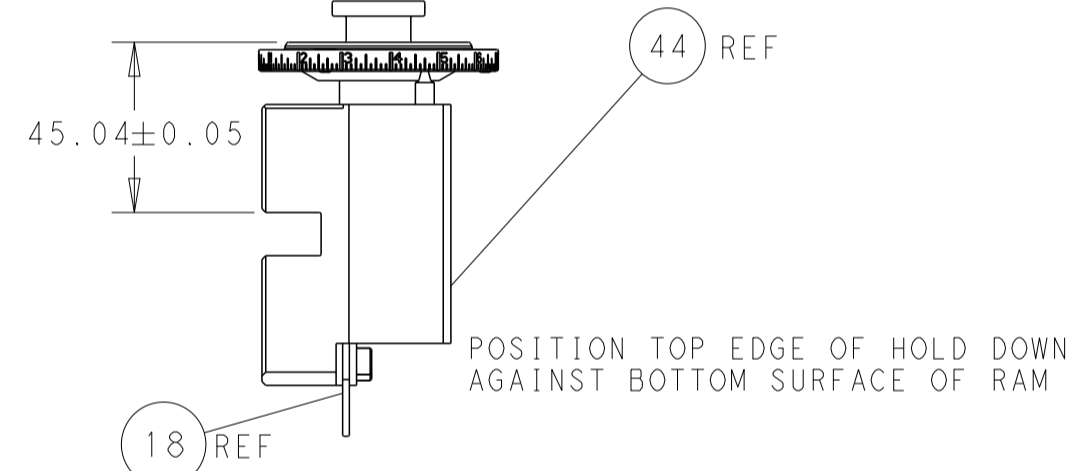
# CAM POSITIONS



SEE TERMINAL HOLD DOWN AND SPACER SETUP CHART ON THIS SHEET AND NOTES

LOC		DIST		REVISIONS			
A	66	P	LTN	DESCRIPTION	DATE	OWN	APVD
-	-	-	-	SEE SHEET 1	-	-	-

TERMINAL HOLD DOWN & SPACER SETUP CHART																								
GROUP 1	HOLD DOWN & SPACER TOOLING SETUP FOR TERMINALS:	<table border="1"> <tr><td>928999-1</td><td>2-928918-2</td></tr> <tr><td>928999-5</td><td>3-928918-2</td></tr> <tr><td>928999-6</td><td>5-928918-1</td></tr> <tr><td>5-928999-1</td><td>6-928918-1</td></tr> <tr><td>5-928999-5</td><td>6-928918-2</td></tr> <tr><td>5-928999-6</td><td>6-928918-3</td></tr> <tr><td>6-928999-5</td><td>1394702-1</td></tr> <tr><td>928918-1</td><td>1394702-2</td></tr> <tr><td>928918-2</td><td>1394702-2</td></tr> <tr><td>1-928918-1</td><td>5-1394702-1</td></tr> <tr><td>1-928918-2</td><td>5-1394702-2</td></tr> </table>	928999-1	2-928918-2	928999-5	3-928918-2	928999-6	5-928918-1	5-928999-1	6-928918-1	5-928999-5	6-928918-2	5-928999-6	6-928918-3	6-928999-5	1394702-1	928918-1	1394702-2	928918-2	1394702-2	1-928918-1	5-1394702-1	1-928918-2	5-1394702-2
	928999-1	2-928918-2																						
	928999-5	3-928918-2																						
	928999-6	5-928918-1																						
	5-928999-1	6-928918-1																						
5-928999-5	6-928918-2																							
5-928999-6	6-928918-3																							
6-928999-5	1394702-1																							
928918-1	1394702-2																							
928918-2	1394702-2																							
1-928918-1	5-1394702-1																							
1-928918-2	5-1394702-2																							
GROUP 2	HOLD DOWN & SPACER TOOLING SETUP FOR TERMINALS:	<table border="1"> <tr><td>968893-1</td><td>5-968893-1</td></tr> </table>	968893-1	5-968893-1																				
	968893-1	5-968893-1																						
HOLD DOWN & SPACER TOOLING SETUP FOR TERMINALS:	<table border="1"> <tr><td>968220-1</td><td>5-968220-6</td></tr> <tr><td>968220-5</td><td>1703296-1</td></tr> <tr><td>968220-6</td><td>1703296-5</td></tr> <tr><td>5-968220-1</td><td>1534116-1</td></tr> <tr><td>5-968220-5</td><td>1534116-2</td></tr> <tr><td>5-968220-5</td><td>5-1534116-1</td></tr> </table>	968220-1	5-968220-6	968220-5	1703296-1	968220-6	1703296-5	5-968220-1	1534116-1	5-968220-5	1534116-2	5-968220-5	5-1534116-1											
968220-1	5-968220-6																							
968220-5	1703296-1																							
968220-6	1703296-5																							
5-968220-1	1534116-1																							
5-968220-5	1534116-2																							
5-968220-5	5-1534116-1																							
	HOLD DOWN & SPACER TOOLING SETUP FOR TERMINALS:	<table border="1"> <tr><td>1241918-1</td><td></td></tr> </table>	1241918-1																					
1241918-1																								

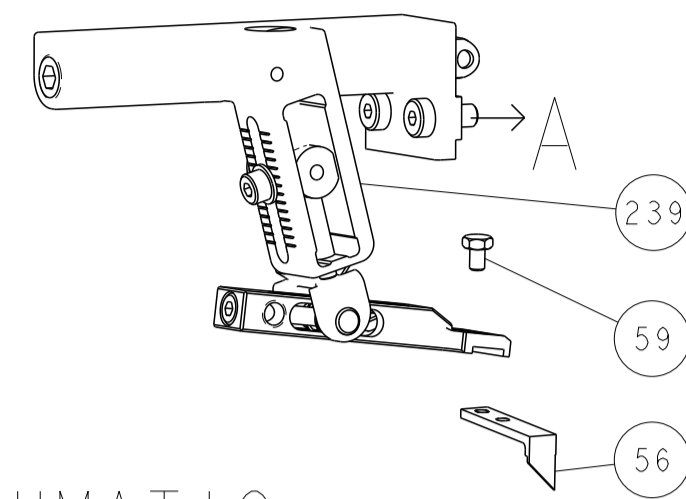


**ATLANTIC VERSION**  
 Shown on sheets 1 of 4 & 2 of 4  
 (Pacific version shown on sheets 3 of 4 & 4 of 4)

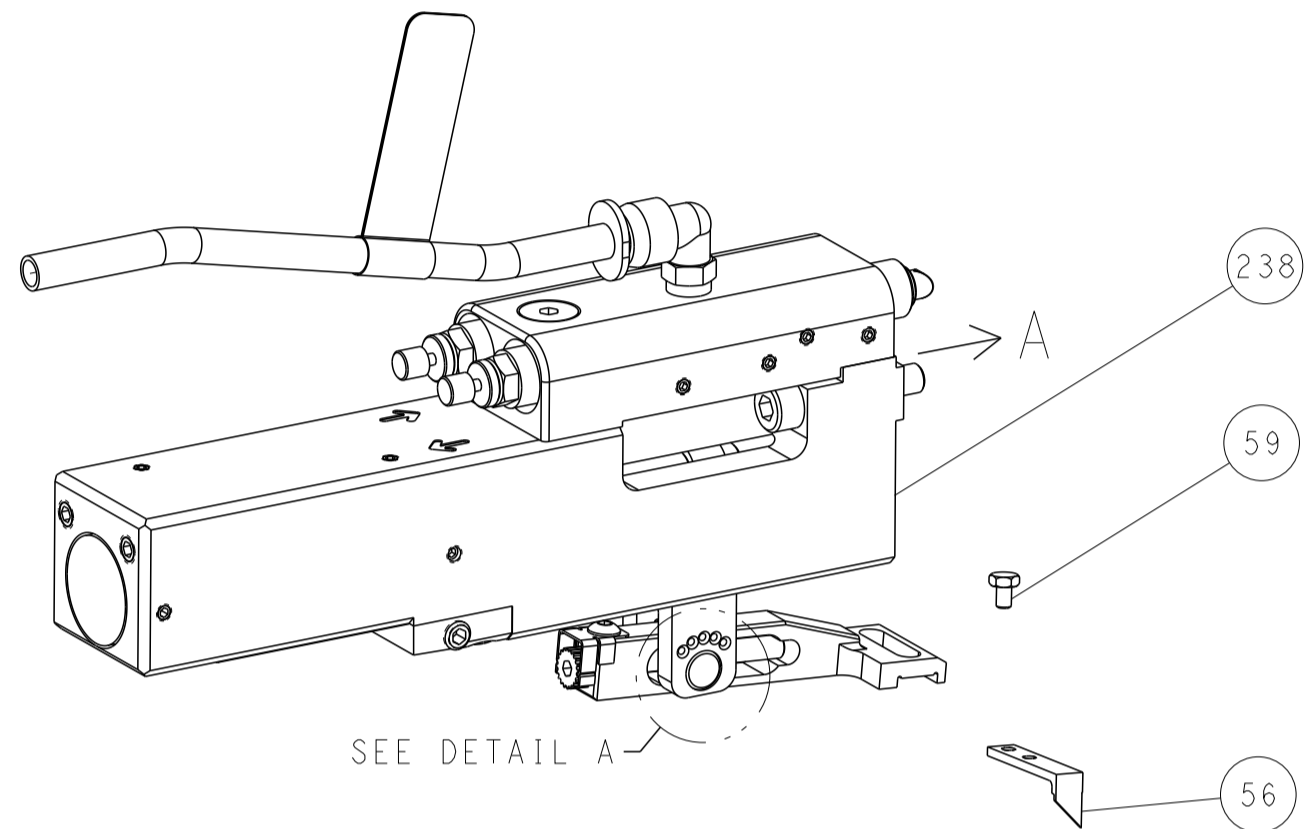
DIMENSIONS:		TOLERANCES UNLESS OTHERWISE SPECIFIED:		DRAWN: HOFFNER 07DEC2001		CHK: TELBIN 08DEC2011		NAME: Ocean Side Feed Applicator	
mm	0 PLC ±	1 PLC ±	2 PLC ±	3 PLC ±	4 PLC ±	APVD: TELBIN 08DEC2011	PRODUCT SPEC	SIZE: A1	CAGE CODE: 00779
MATERIAL:	FINISH:	WEIGHT:	SCALE: 1:2	SHEET: 2	OF 4	REV: J	CUSTOMER DRAWING		



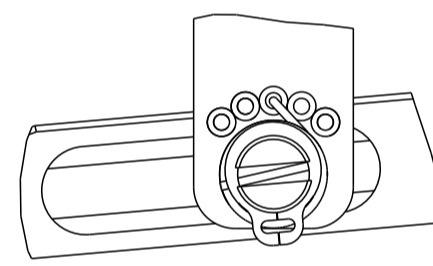
# FEED TYPE MECHANICAL



# PNEUMATIC

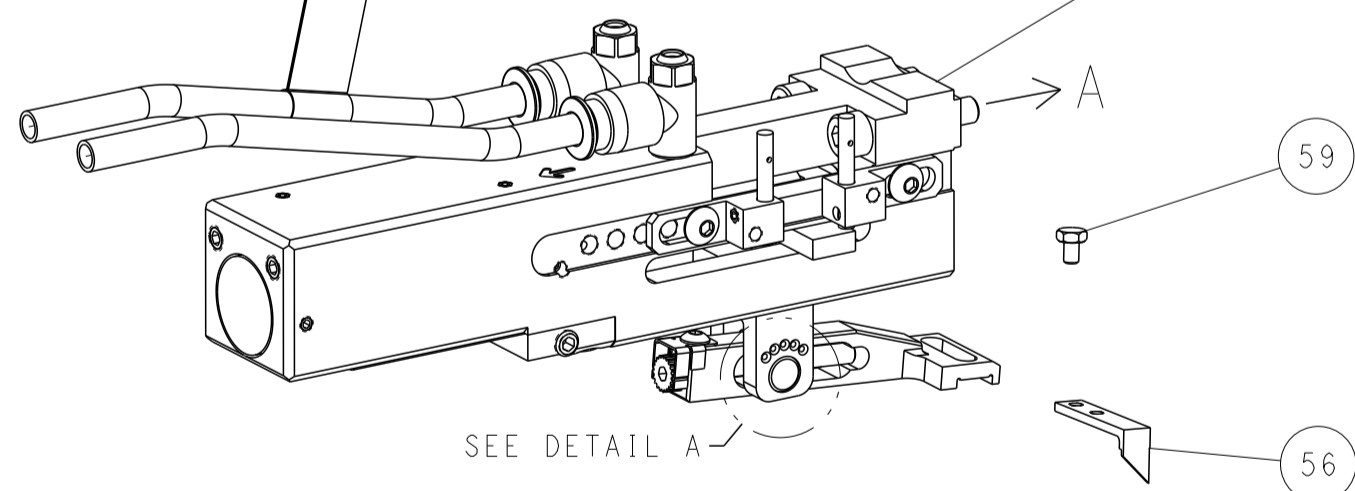


FEED SPRING SETTING POSITION (SHOWN FROM REAR SIDE)



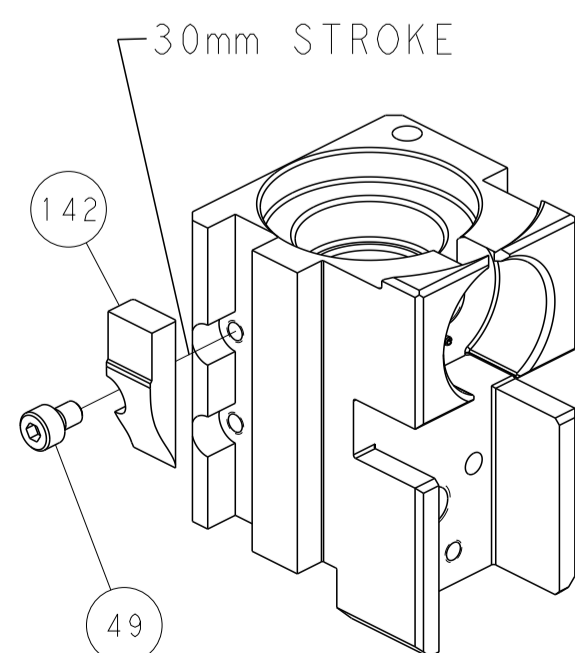
DETAIL A

# DOUBLE ACTING PNEUMATIC WITH SENSORS

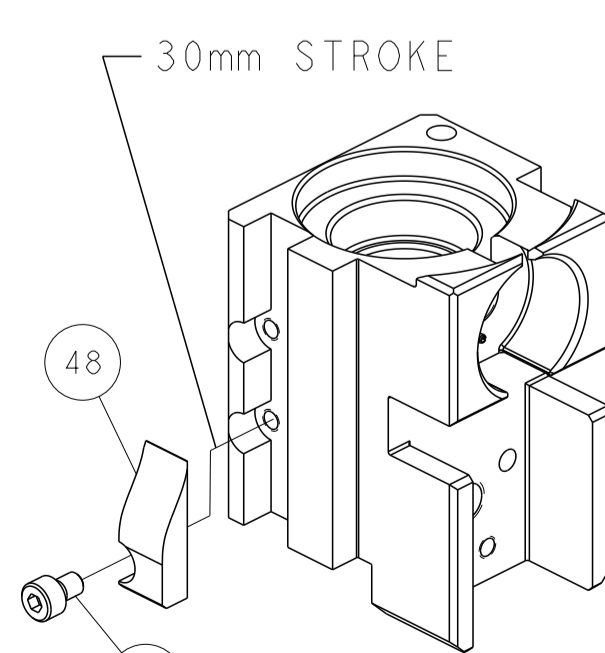


SEE DETAIL A

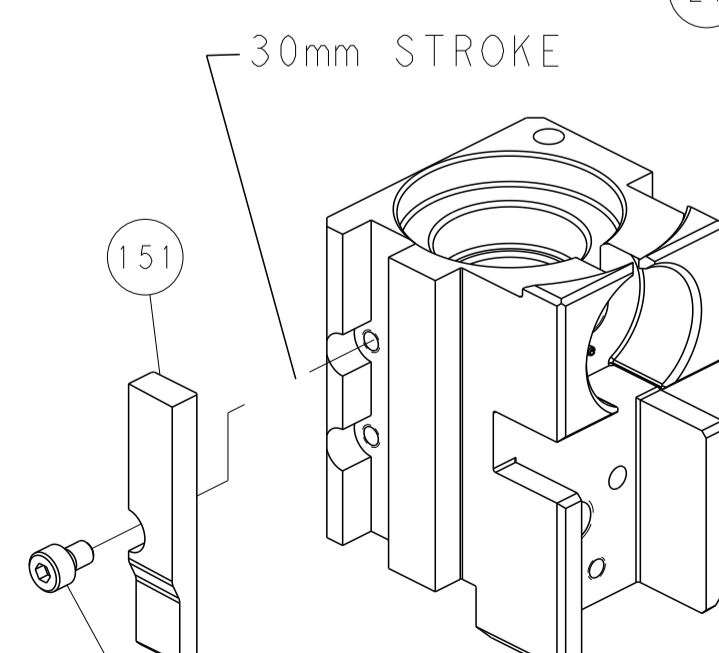
# CAM POSITIONS



MECHANICAL POST FEED

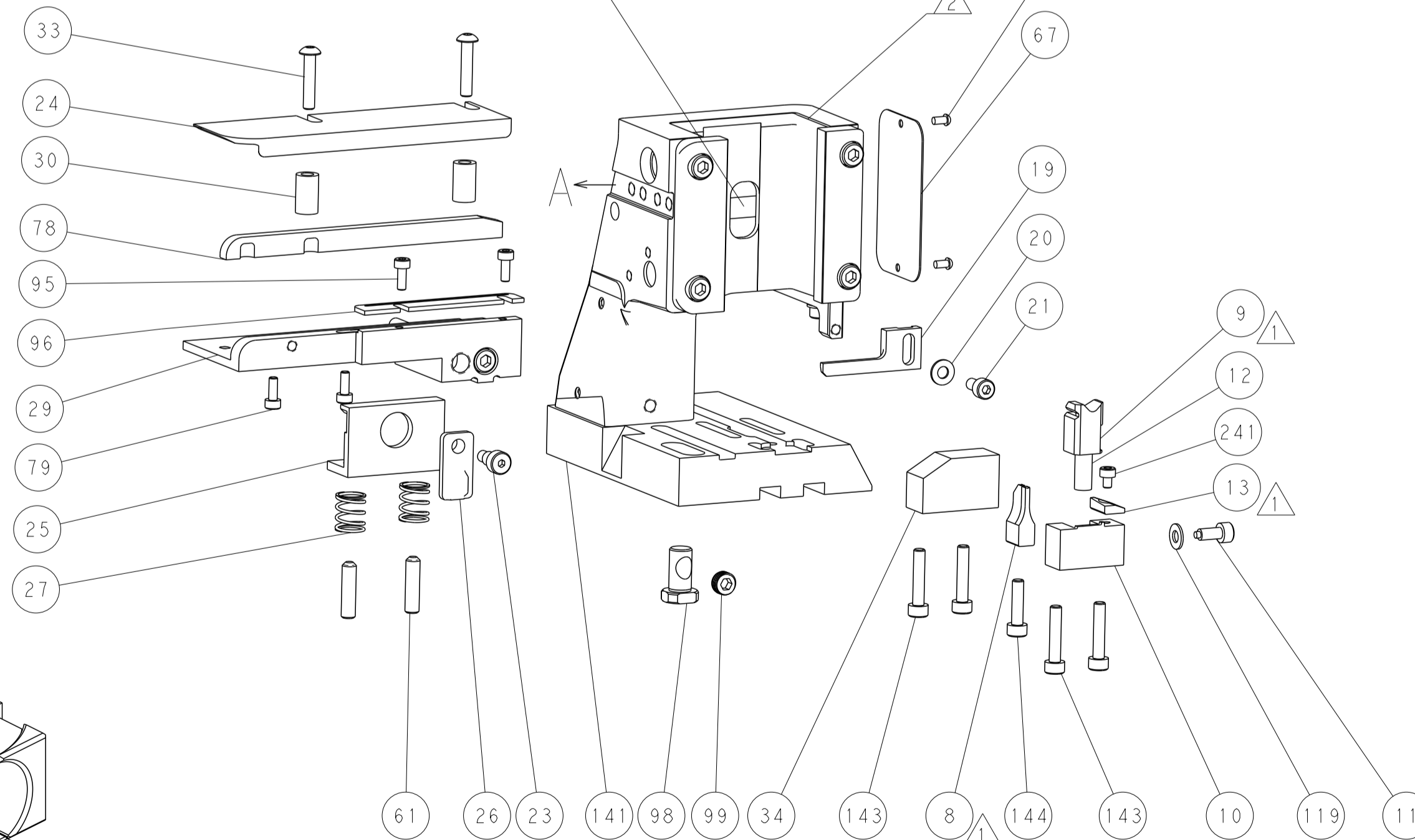


MECHANICAL PRE FEED



AIR FEED

SEE TERMINAL HOLD DOWN AND SPACER SETUP CHART ON THIS SHEET AND NOTES



**PACIFIC VERSION**  
 Shown on sheets 3 of 4 & 4 of 4  
 (Atlantic version shown on sheets 1 of 4 & 2 of 4)

LOC	DIST	REV	DATE	BY	APPV
A	66				

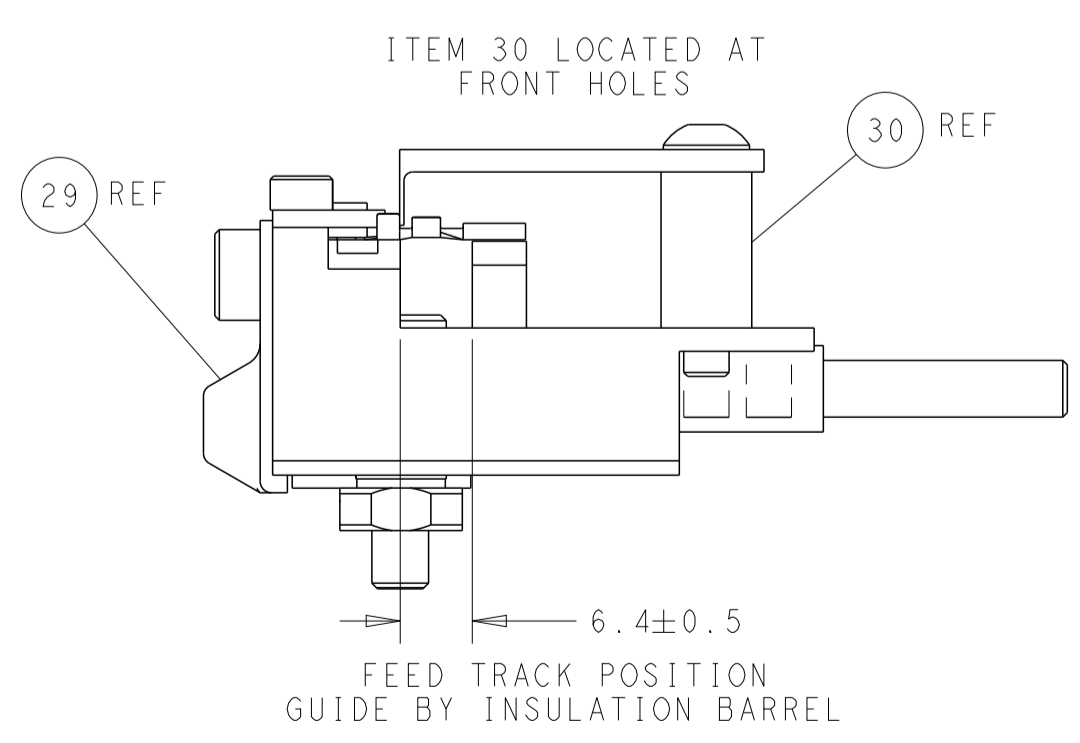
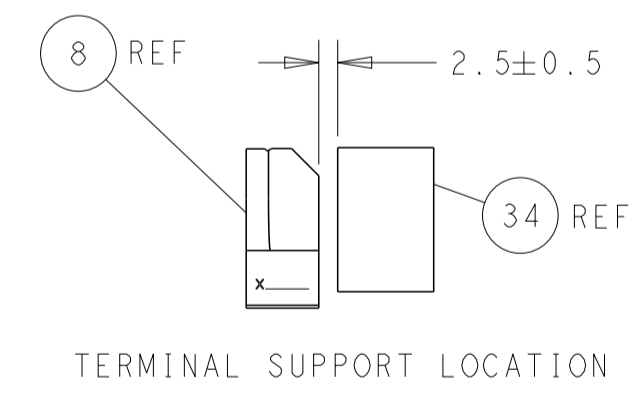
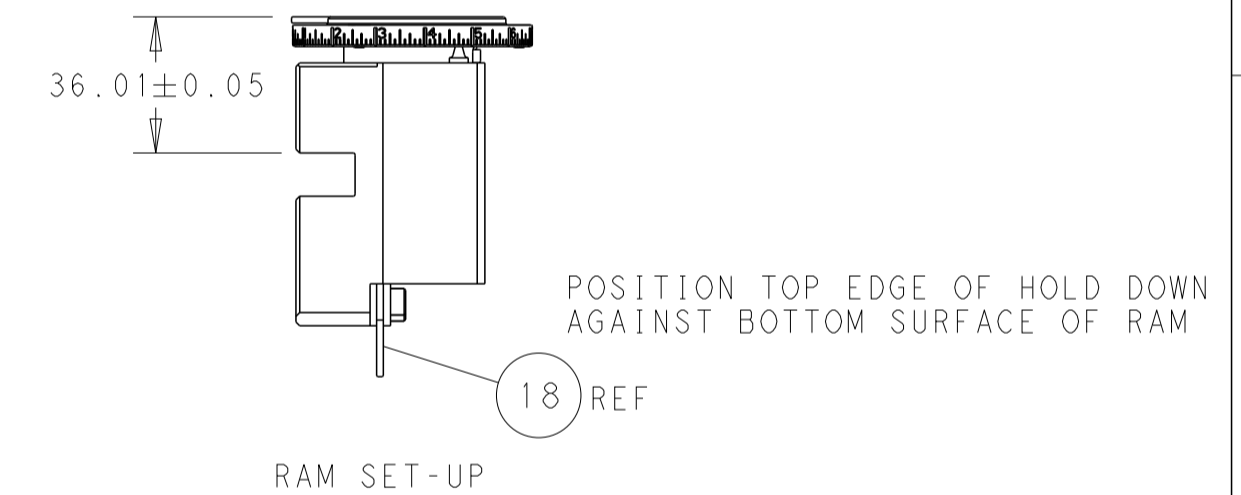
REVISIONS		DESCRIPTION	DATE	BY	APPV
		SEE SHEET 1			

GROUP 1		POSITION 1
HOLD DOWN & SPACER TOOLING SETUP FOR TERMINALS:		
928999-1	2-928918-2	
928999-5	3-928918-2	
928999-6	5-928918-1	
5-928999-1	6-928918-1	
5-928999-5	6-928918-2	
5-928999-6	6-928918-3	
6-928999-5	1394702-1	
928918-1	1394702-2	
928918-2	5-1394702-1	
1-928918-1	5-1394702-2	
1-928918-2	5-1394702-2	

GROUP 2		POSITION 2
HOLD DOWN & SPACER TOOLING SETUP FOR TERMINALS:		
968220-1	5-968220-6	
968220-5	1703296-1	
968220-6	1703296-5	
5-968220-1	1534116-1	
5-968220-5	1534116-2	
	5-1534116-1	



DIMENSIONS:		TOLERANCES UNLESS OTHERWISE SPECIFIED:		DRAWN: HOFFNER 07DEC2001		CHK: T. ELBIN 08DEC2011		APVD: T. ELBIN 08DEC2011		NAME: Ocean Side Feed Applicator	
mm	0 PLC	±		SIZE	CAGE CODE	DRAWING NO	RESTRICTED TO				
	1 PLC	±		SCALE							
	2 PLC	±		WEIGHT							
	3 PLC	±		CUSTOMER DRAWING							
	4 PLC	±									
	ANGLES	±									
	FINISH										

# Mouser Electronics

Authorized Distributor

Click to View Pricing, Inventory, Delivery & Lifecycle Information:

[TE Connectivity:](#)

[2151541-1](#)