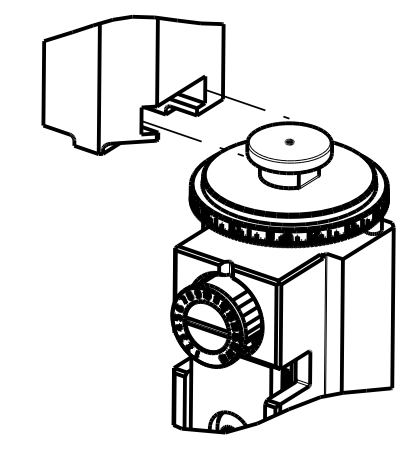


| PART NUMBER | REVISION | DESCRIPTION | FEED TYPE |
|-------------|----------|----------------------------------|------------|
| 2151353-1 | J | FINE CRIMP HEIGHT ADJUST | MECHANICAL |
| 2151353-2 | K | FINE CRIMP HEIGHT ADJUST | PNEUMATIC |
| 7-2151353-1 | J | MECHANICAL AND CRIMP TOOLING KIT | MECHANICAL |
| 7-2151353-2 | K | PNEUMATIC AND CRIMP TOOLING KIT | PNEUMATIC |
| 7-2151353-7 | A | CRIMP TOOLING KIT | - |

ATLANTIC VERSION TERMINATOR INTERFACE ADAPTER



| APPLICATOR DATA | | |
|-----------------|----------------|------|
| CRIMP | SIZE | TYPE |
| WIRE | 1.78 mm [.070] | F |
| INSUL | 2.29 mm [.090] | BX |

APPLICATOR INSTRUCTIONS 408-35042

| TERMINAL DATA: TE TERMINAL | | TE CRIMP SPECIFICATION | |
|------------------------------------|-------------|------------------------------|-------------|
| TERMINAL NAME: MCON 1.2 LL | | | |
| WIRE STRIP LENGTH | | INSULATION DIAMETER RANGE | |
| 3.30-3.90 mm [.130-.154 IN] | | Ø1.90-2.40 mm [.075-.094 IN] | |
| TERMINAL APPLICATION SPECIFICATION | 114-18464 | | |
| TERMINALS APPLIED ⁵ | | | |
| TE TERMINAL | TE TERMINAL | TE TERMINAL | TE TERMINAL |
| 1452659-1 | 1452659-2 | 1452659-3 | |
| 7-1452659-1 | 7-1452659-2 | 7-1452659-3 | |

| WIRE SIZE | CRIMP HEIGHT mm [INCH] | CRIMP HEIGHT REFERENCE SETTING |
|-----------|----------------------------|--------------------------------|
| 1.50mm2 | 1.31+/-0.05 [.052+/-0.002] | 8.0 |
| 16 AWG | 1.26+/-0.05 [.050+/-0.002] | 8.5 |
| 1.00mm2 | 1.10+/-0.05 [.043+/-0.002] | 10.0 |
| 18 AWG | 1.05+/-0.05 [.041+/-0.002] | 10.6 |

- ¹ RECOMMENDED SPARE PARTS
- ² REFER TO SUPPLIED INSTRUCTION SHEET FOR CLEANING, LUBRICATION AND STORAGE OF APPLICATOR.
- ³ APPLY PART NUMBER 2-23419-6 LOCTITE TO THREADS OF ITEM 242.
- ⁴ CRIMP HEIGHT REFERENCE SETTING WAS THE SETTING USED WHEN THE APPLICATOR WAS QUALIFIED AT THE FACTORY. ADJUSTMENT MAY BE NECESSARY WHEN RUNNING APPLICATOR IN THE FIELD.
- ⁵ TERMINAL LUBRICANT IS RECOMMENDED.
- 6. UNLESS SPECIFIED OTHERWISE TORQUE VALUES SHALL BE USED PER DOCUMENT, 101-35000.

***WARNING**
ON INSTALLATION, SET WIRE DISC TO CRIMP HEIGHT REFERENCE SETTING FOR LARGEST WIRE SIZE. CRIMP HEIGHT REFERENCE SETTINGS GREATER THAN THE VALUE SHOWN MAY CAUSE DAMAGE TO THE CRIMP TOOLING, REFER TO THE INSTRUCTION SHEET FOR PROPER SETUP AND ADJUSTMENTS.

ATLANTIC VERSION
Shown on sheets 1 of 4 & 2 of 4
(Pacific version shown on sheets 3 of 4 & 4 of 4)

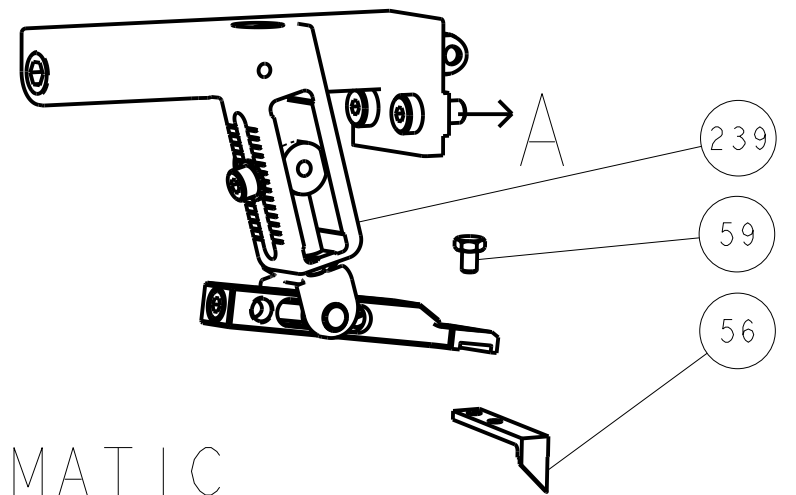
| LOC | DIST | REVISIONS | | | |
|-----|------|-----------|-----------|-----|------|
| A | 66 | REV | DATE | BY | APPV |
| | | H | 18APR2017 | TB | TE |
| | | J | 20APR2018 | MEH | JDG |
| | | K | 10APR2019 | FJ | TE |
| | | K1 | 17MAY2021 | AJ | YY |

| | | | | | | | |
|---|-----|-----|-----|-----|-------------|-------------------------------------|---------|
| - | 1 | - | 1 | - | 2119641-1 | FEED CAM, AIR FEED | 248 |
| - | 1 | 1 | 1 | 1 | 2119082-4 | CAM, SNAIL, INSULATION ADJUSTMENT | 244 |
| - | 1 | 1 | 1 | 1 | 2079764-1 | WASHER, WAVE SPRING, CREST-TO-CREST | 243 |
| - | 1 | 1 | 1 | 1 | 2119083-1 | RETAINER, INSULATION DIAL | 242 |
| - | 1 | 1 | 1 | 1 | 7-18023-7 | SCR, SKT HD CAP M3 X 4.0 | 241 |
| - | - | 1 | - | 1 | 2119580-1 | MECHANICAL FEED ASSEMBLY | 239 |
| - | 1 | - | 1 | - | 2844940-1 | AIR FEED MODULE | 238 |
| - | REF | REF | REF | REF | 994970-2 | COUNTER, MAGNETIC | 164 |
| - | 1 | 1 | 1 | 1 | 2119955-1 | ASSY, LUBRICATOR, SIDE FEED | 113 |
| - | 1 | 1 | 1 | 1 | 2844908-1 | SCREW, LOCKING | 99 |
| - | 1 | 1 | 1 | 1 | 2844907-1 | POST, LOCKING | 98 |
| - | 1 | 1 | 1 | 1 | 455888-5 | SPACER, CRIMPER | 82 |
| - | 1 | 1 | 1 | 1 | 22278-8 | SPRING, COMPRESSION | 77 |
| - | 1 | 1 | 1 | 1 | 854769-4 | HOLDER, INS | 74 |
| - | 1 | 1 | 1 | 1 | 1803607-3 | DOCUMENTATION PACKAGE | 71 |
| - | 1 | 1 | 1 | 1 | 2119740-1 | TAG, IDENTIFICATION | 67 |
| - | 2 | 2 | 2 | 2 | 2168078-1 | SCREW, DRIVE, RH, RoHS, 2 x .188 | 66 |
| - | 1 | 1 | 1 | 1 | 2168083-2 | SCR, SKT HD CAP, RoHS, M4 X 8.0 | 60 |
| - | 1 | 1 | 1 | 1 | 5-18022-5 | SCR, HEX HD CAP, M4 X 6.0 | 59 |
| - | 1 | 1 | 1 | 1 | 21028-2 | PIN, SLOTTED SPRING .062 X .250 | 58 |
| - | 1 | 1 | 1 | 1 | 1338685-1 | PAWL, FEED | 56 |
| - | 4 | 4 | 4 | 4 | 2168083-3 | SCR, SKT HD CAP, RoHS, M4 X 12.0 | 54 |
| - | 2 | 2 | 2 | 2 | 1-2168083-0 | SCR, SKT HD CAP, RoHS, M4 X 10 | 53 |
| - | 1 | 2 | 1 | 2 | 18023-9 | SCR, SKT HD CAP M4 X 6.0 | 49 |
| - | - | 1 | - | 1 | 2119652-1 | FEED CAM, PRE FEED | 48 |
| - | - | 1 | - | 1 | 2119653-1 | FEED CAM, POST FEED | 47 |
| - | 1 | 1 | 1 | 1 | 1803583-9 | APPLICATOR BASIC ASSEMBLY, SF | 46 |
| - | 1 | 1 | 1 | 1 | 1803515-1 | RAM ASSEMBLY, SF ATLANTIC | 44 |
| - | 1 | 1 | 1 | 1 | 1803602-1 | SCR, BHSC, RoHS (M8 X 25) | 41 |
| - | 1 | 1 | 1 | 1 | 1752356-6 | SUPPORT, TERMINAL | 34 |
| - | 2 | 2 | 2 | 2 | 2079383-5 | SCR, BHSC, RoHS (M4 X 20) | 33 |
| - | 2 | 2 | 2 | 2 | 2-2844962-6 | SPACER, CYLINDRICAL, STRIP GUIDE | 30 |
| - | 1 | 1 | 1 | 1 | 2844992-2 | ASSEMBLY, STRIP GUIDE | 29 |
| - | 1 | 1 | 1 | 1 | 455888-4 | SPACER, CRIMPER | 28 |
| - | 1 | 1 | 1 | 1 | 1320928-2 | STRIP GUIDE | 24 |
| - | 1 | 1 | 1 | 1 | 2168083-2 | SCR, SKT HD CAP, RoHS, M4 X 8.0 | 21 |
| - | 4 | 4 | 4 | 4 | 1-18028-2 | WASHER, FLAT, REG M4 | 20 |
| - | 1 | 1 | 1 | 1 | 2119533-1 | STRIPPER, SIDE FEED | 19 |
| - | 1 | 1 | 1 | 1 | 1333264-1 | HOLD DOWN | 18 |
| - | 1 | 1 | 1 | 1 | 2119806-1 | INSERT, SHEAR | 13 |
| - | 1 | 1 | 1 | 1 | 3-22280-3 | SPRING, COMPRESSION | 12 |
| - | 1 | 1 | 1 | 1 | 1-356885-4 | STOP, SHEAR | 11 |
| - | 1 | 1 | 1 | 1 | 2119805-1 | SHEAR HOLDER, FRONT | 10 |
| - | 1 | 1 | 1 | 1 | 1633861-1 | SHEAR, FLOATING | 9 |
| - | 1 | 2 | 2 | 1 | 4-1333203-2 | ANVIL, COMBINATION | 8 |
| - | - | - | - | - | - | - | 7 |
| - | - | - | - | - | - | - | 6 |
| - | 1 | 1 | 1 | 1 | 1-2119780-1 | DEPRESSOR, SHEAR | 5 |
| - | 1 | 1 | 1 | 1 | 4-238011-1 | BLOCK, CRIMPER SPACER | 4 |
| - | 1 | 2 | 2 | 1 | 1633989-8 | CRIMPER, INSULATION, SPECIAL | 3 |
| - | 1 | 2 | 2 | 1 | 1633169-2 | CRIMPER, WIRE, SPECIAL | 1 |
| - | 77 | -72 | -71 | -2 | -1 | PART NO | ITEM NO |
| - | - | - | - | - | - | DESCRIPTION | ITEM NO |

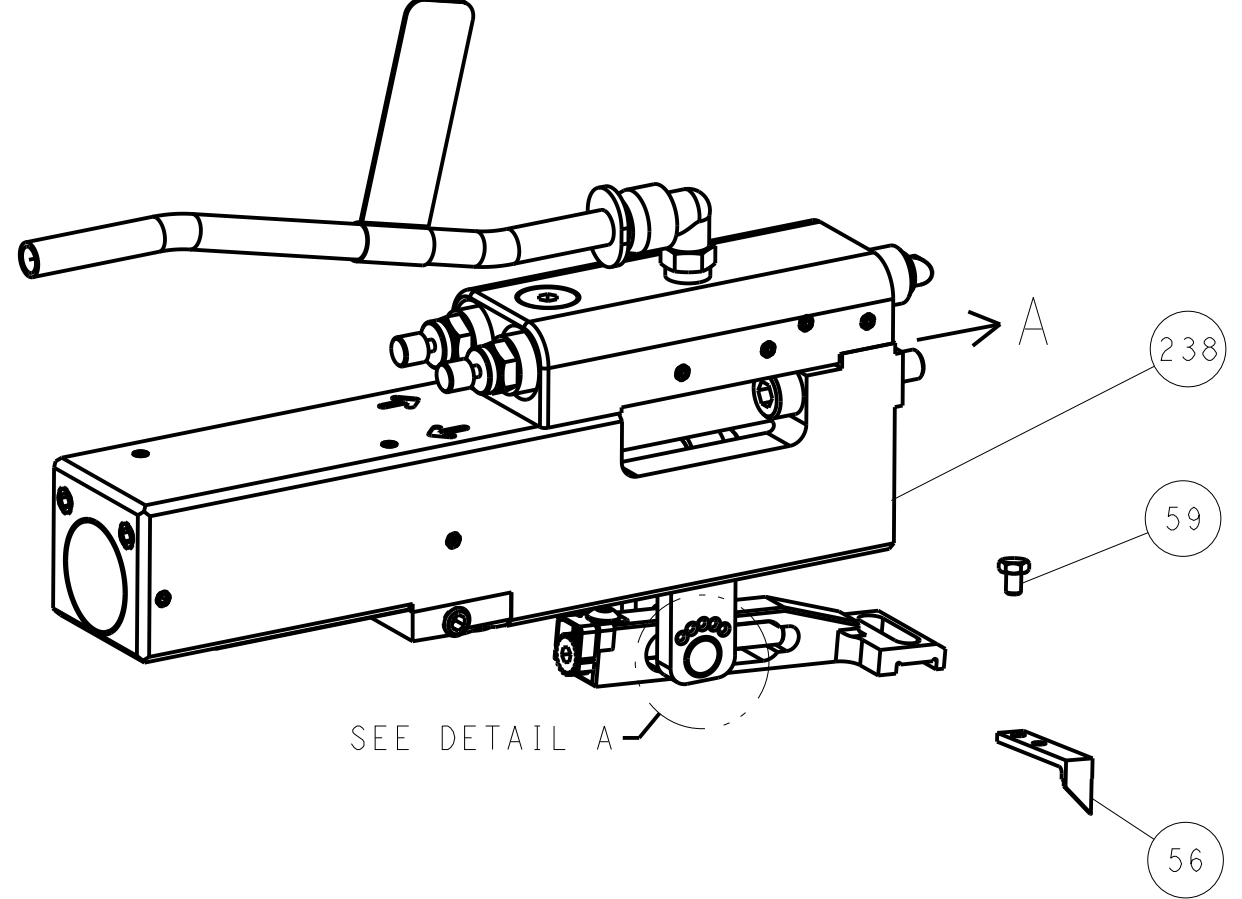
| | | | |
|--|--|--------------------------------|---|
| <small>THE INFORMATION CONTAINED HEREIN IS UNCLASSIFIED EXCEPT WHERE SHOWN OTHERWISE. IT IS SUBJECT TO CHANGE WITHOUT NOTICE AND WITHOUT INCURRING LIABILITY. REVISIONS SHOULD BE CONTACTED FOR THE LATEST REVISION.</small> | | DWN L. ZHANG 26 JUL 2012 | TE Connectivity Harrisburg, PA 17105-3608 |
| DIMENSIONS: mm | | CHK L. ZHANG 26 JUL 2012 | |
| TOLERANCES UNLESS OTHERWISE SPECIFIED: 0 PLC ± 1 PLC ± 2 PLC ± 3 PLC ± 4 PLC ± ANGLES ± | | APV S. XI 26 JUL 2012 | NAME Ocean Side Feed Applicator |
| MATERIAL: | | WEIGHT: | SIZE: A1 CAGE CODE: 00779 DRAWING NO: 2151353 RESTRICTED TO: |
| FINISH: | | SCALE: 1:2 | SHEET 1 OF 4 REV: K1 |

| LOC | | REVISONS | |
|-----|----|-------------|------|
| A | 66 | DESCRIPTION | DATE |
| | | SEE SHEET 1 | |

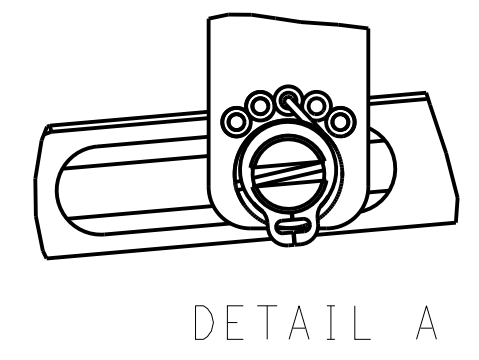
FEED TYPE MECHANICAL



PNEUMATIC

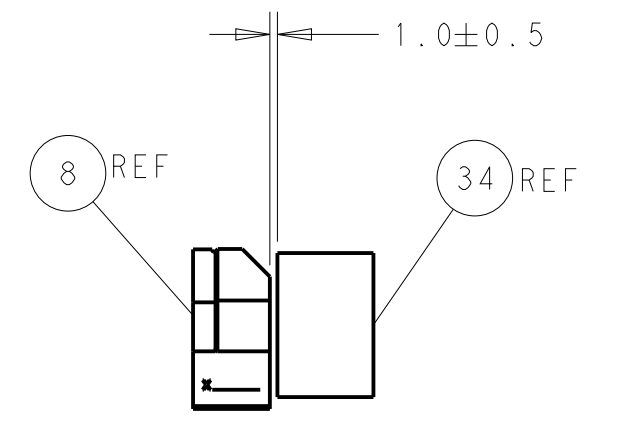
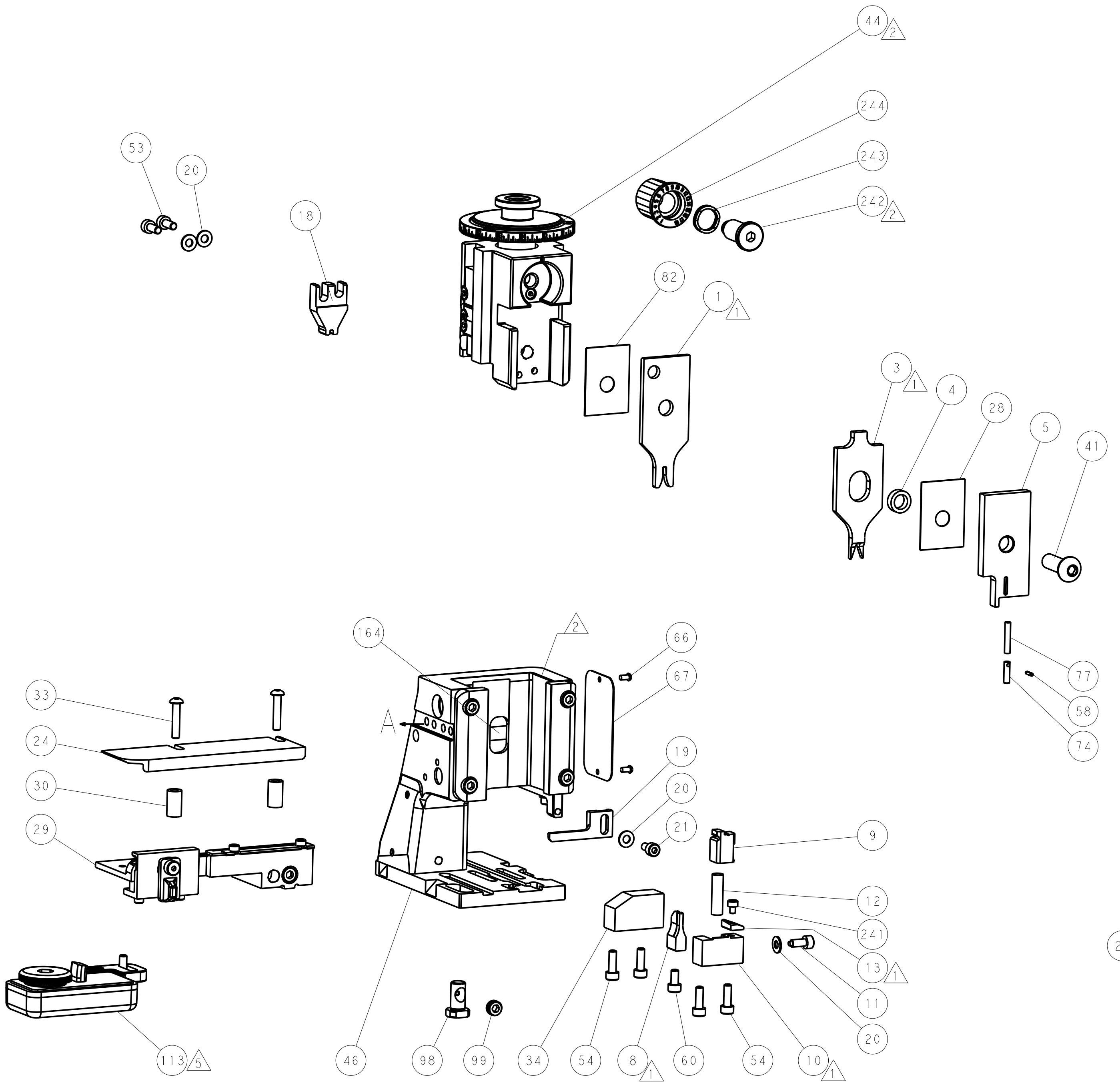
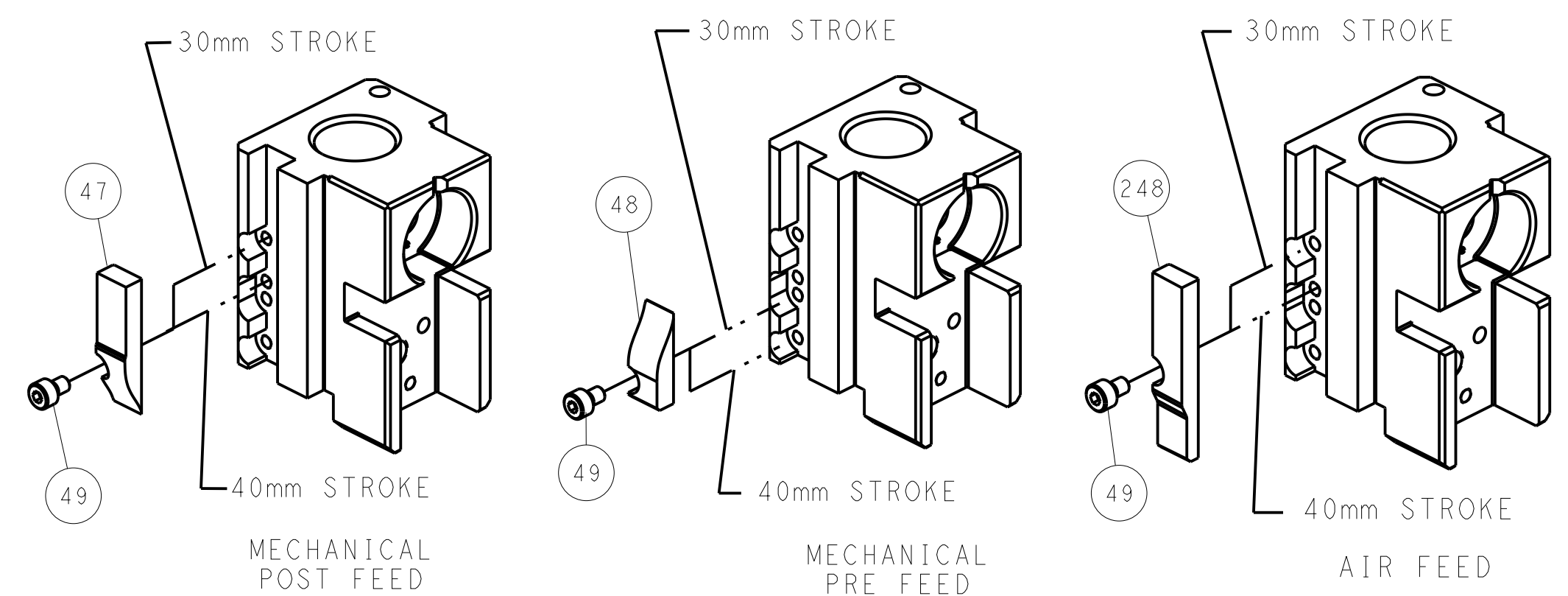


FEED SPRING SETTING POSITION (SHOWN FROM REAR SIDE)

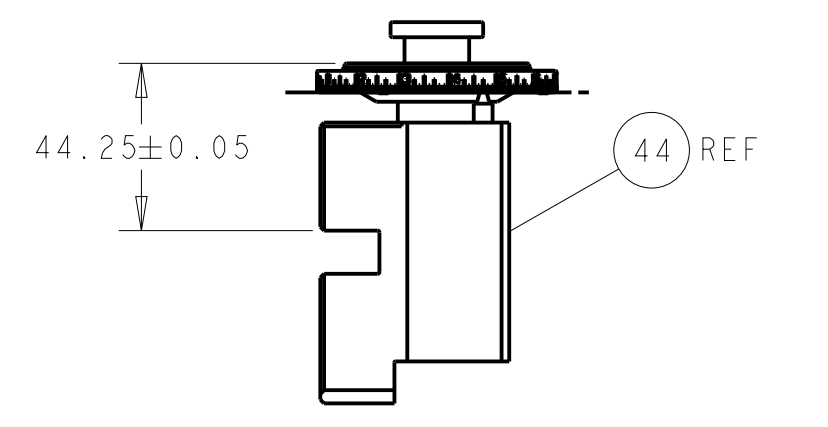


DETAIL A

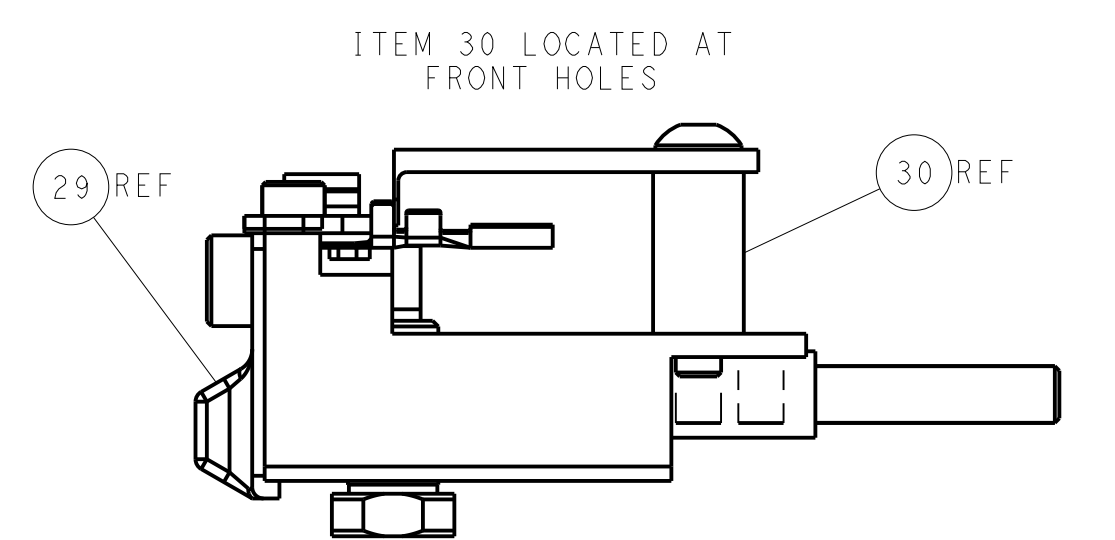
CAM POSITIONS



TERMINAL SUPPORT LOCATION



RAM SET-UP



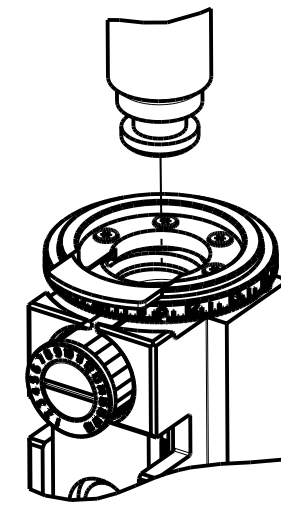
FEED TRACK POSITION GUIDE BY INSULATION BARREL

ATLANTIC VERSION
 Shown on sheets 1 of 4 & 2 of 4
 (Pacific version shown on sheets 3 of 4 & 4 of 4)

| | | | | | | | |
|-------------|---------|--|---------|--------------------|---------|--|---------------------------|
| DIMENSIONS: | | TOLERANCES UNLESS OTHERWISE SPECIFIED: | | DWN 26 JUL 2012 | | TE Connectivity | |
| mm | 0 PLC ± | 1 PLC ± | 2 PLC ± | 3 PLC ± | 4 PLC ± | APVD 26 JUL 2012 | Harrisburg, PA 17105-3608 |
| | ANGLES | | | NAME | | Ocean Side Feed Applicator | |
| MATERIAL: | | FINISH: | | WEIGHT: | | RESTRICTED TO | |
| | | | | A1 00779 ©=2151353 | | Customer Accessible Production Drawing | |
| | | | | SCALE 1:2 | | SHEET 2 OF 4 REV K1 | |

| PART NUMBER | REVISION | DESCRIPTION | FEED TYPE |
|-------------|----------|--------------------------|------------|
| 2-2151353-1 | J | FINE CRIMP HEIGHT ADJUST | MECHANICAL |
| 2-2151353-2 | K | FINE CRIMP HEIGHT ADJUST | PNEUMATIC |
| 7-2151353-7 | A | CRIMP TOOLING KIT | - |

PACIFIC VERSION TERMINATOR
INTERFACE ADAPTER



| APPLICATOR DATA | | |
|-----------------|----------------|------|
| CRIMP | SIZE | TYPE |
| WIRE | 1.78 mm [.070] | F |
| INSUL | 2.29 mm [.090] | BX |

APPLICATOR INSTRUCTIONS
408-35042

| TERMINAL DATA: TE TERMINAL | | TE CRIMP SPECIFICATION | |
|--|-------------|---|-------------|
| TERMINAL NAME: MCON 1.2 LL | | | |
| WIRE STRIP LENGTH 3.30-3.90 mm [1.30-.154 IN] | | INSULATION DIAMETER RANGE Ø1.90-2.40 mm [.075-.094 IN] | |
| TERMINAL APPLICATION SPECIFICATION | 114-18464 | - | - |
| TERMINALS APPLIED | | | |
| TE TERMINAL | TE TERMINAL | TE TERMINAL | TE TERMINAL |
| 1452659-1 | 1452659-2 | 1452659-3 | |
| 7-1452659-1 | 7-1452659-2 | 7-1452659-3 | |

| WIRE SIZE | CRIMP HEIGHT mm [INCH] | CRIMP HEIGHT REFERENCE SETTING |
|-----------|-----------------------------|--------------------------------|
| 1.50mm2 | 1.31+/-0.05 [1.052+/-0.002] | 8.0 |
| 16 AWG | 1.26+/-0.05 [1.050+/-0.002] | 8.5 |
| 1.00mm2 | 1.10+/-0.05 [1.043+/-0.002] | 10.0 |
| 18 AWG | 1.05+/-0.05 [1.041+/-0.002] | 10.6 |



- 1 RECOMMENDED SPARE PARTS
- 2 REFER TO SUPPLIED INSTRUCTION SHEET FOR CLEANING, LUBRICATION AND STORAGE OF APPLICATOR.
- 3 APPLY PART NUMBER 2-23419-6 LOCTITE TO THREADS OF ITEM 242.
- 4 CRIMP HEIGHT REFERENCE SETTING WAS THE SETTING USED WHEN THE APPLICATOR WAS QUALIFIED AT THE FACTORY. ADJUSTMENT MAY BE NECESSARY WHEN RUNNING APPLICATOR IN THE FIELD.
- 5 TERMINAL LUBRICANT IS RECOMMENDED.
- 6. UNLESS SPECIFIED OTHERWISE TORQUE VALUES SHALL BE USED PER DOCUMENT, 101-35000.

***WARNING**
ON INSTALLATION, SET WIRE DISC TO CRIMP HEIGHT REFERENCE SETTING FOR LARGEST WIRE SIZE. CRIMP HEIGHT REFERENCE SETTINGS GREATER THAN THE VALUE SHOWN MAY CAUSE DAMAGE TO THE CRIMP TOOLING, REFER TO THE INSTRUCTION SHEET FOR PROPER SETUP AND ADJUSTMENTS.

| ENTRY LEVEL APPLICATOR | | ITEM SUBSTITUTION LIST | | |
|------------------------|-------------|------------------------|---------------------|------------------------|
| PART NUMBER | SAME AS | ITEM | ITEM DESCRIPTION | SUBSTITUTE PART NUMBER |
| 8-2151353-1 | 2151353-1 | 1 | WIRE CRIMPER | 1803661-2 |
| 8-2151353-2 | 2151353-2 | 3 | INSULATION CRIMPER | 1803623-8 |
| 9-2151353-1 | 2-2151353-1 | 46 | BASIC SUB -ASSEMBLY | 1803940-9 |
| 9-2151353-2 | 2-2151353-2 | 141 | BASIC SUB -ASSEMBLY | 1-1803940-0 |
| | | | LUBRICATOR | DELETE |

PACIFIC VERSION
Shown on sheets 3 of 4 & 4 of 4
(Atlantic version shown on sheets 1 of 4 & 2 of 4)

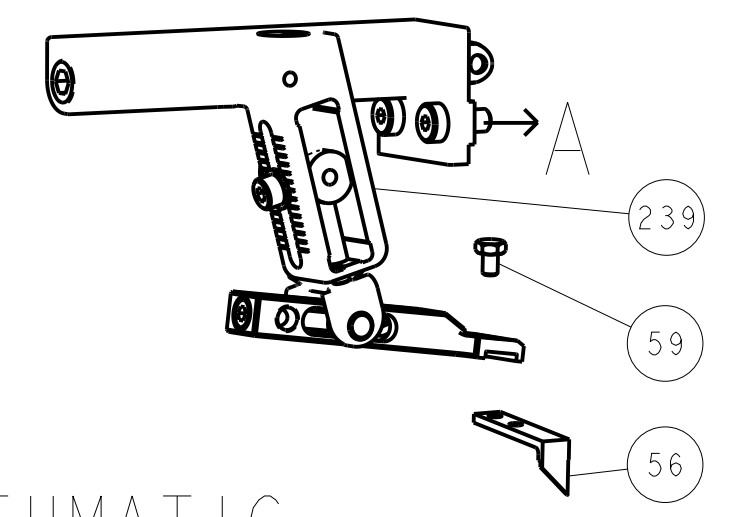
| LOC | DIST | REV | DATE | BY | APPV |
|-----|------|-----|------|----|------|
| A | 66 | | | | |

| REVISIONS | | | | | |
|-----------|------|-------------|-------------|-------------------------------------|------|
| REV | DATE | DESCRIPTION | DATE | BY | APPV |
| - | - | SEE SHEET 1 | - | - | - |
| - | 1 | 1 | 2119082-4 | CAM, SNAIL, INSULATION ADJUSTMENT | 244 |
| - | 1 | 1 | 2079764-1 | WASHER, WAVE SPRING, CREST-TO-CREST | 243 |
| 3 | - | 1 | 2119083-1 | RETAINER, INSULATION DIAL | 242 |
| - | 1 | 1 | 7-18023-7 | SCR, SKT HD CAP M3 X 4.0 | 241 |
| - | - | 1 | 2119580-1 | MECHANICAL FEED ASSEMBLY | 239 |
| - | 1 | - | 2844940-1 | AIR FEED MODULE | 238 |
| - | REF | REF | 994970-2 | COUNTER, MAGNETIC | 164 |
| - | 1 | - | 2119641-2 | FEED CAM, AIR FEED | 151 |
| - | 1 | 1 | 2168083-8 | SCR, SKT HD CAP, RoHS, M4 X 16 | 144 |
| - | 4 | 4 | 2168083-9 | SCR, SKT HD CAP, RoHS, M4 X 20 | 143 |
| - | - | 1 | 2119653-2 | FEED CAM, POST FEED | 142 |
| - | 1 | 1 | 1-1803583-0 | APPLICATOR BASIC ASSEMBLY, SF | 141 |
| - | 1 | 1 | 1803516-1 | RAM ASSEMBLY, SF PACIFIC | 140 |
| 5 | - | 1 | 2119955-1 | ASSY, LUBRICATOR, SIDE FEED | 113 |
| - | 1 | 1 | 2844908-1 | SCREW, LOCKING | 99 |
| - | 1 | 1 | 2844907-1 | POST, LOCKING | 98 |
| - | 1 | 1 | 455888-5 | SPACER, CRIMPER | 82 |
| - | 1 | 1 | 22278-8 | SPRING, COMPRESSION | 77 |
| - | 1 | 1 | 854769-4 | HOLDER, INS | 74 |
| - | 1 | 1 | 1803607-3 | DOCUMENTATION PACKAGE | 71 |
| - | 1 | 1 | 2119740-1 | TAG, IDENTIFICATION | 67 |
| - | 2 | 2 | 2168078-1 | SCREW, DRIVE, RH, RoHS, 2 x .188 | 66 |
| - | 1 | 1 | 5-18022-5 | SCR, HEX HD CAP, M4 X 6.0 | 59 |
| - | 1 | 1 | 21028-2 | PIN, SLOTTED SPRING .062 X .250 | 58 |
| - | 1 | 1 | 1338685-1 | PAWL, FEED | 56 |
| - | 2 | 2 | 1-2168083-0 | SCR, SKT HD CAP, RoHS, M4 X 10 | 53 |
| - | 1 | 2 | 18023-9 | SCR, SKT HD CAP M4 X 6.0 | 49 |
| - | - | 1 | 2119652-1 | FEED CAM, PRE FEED | 48 |
| - | 1 | 1 | 1803602-1 | SCR, BHSC, RoHS (M8 X 25) | 41 |
| - | 1 | 1 | 1752356-6 | SUPPORT, TERMINAL | 34 |
| - | 2 | 2 | 2079383-5 | SCR, BHSC, RoHS (M4 X 20) | 33 |
| - | 2 | 2 | 2-2844962-6 | SPACER, CYLINDRICAL, STRIP GUIDE | 30 |
| - | 1 | 1 | 2844992-2 | ASSEMBLY, STRIP GUIDE | 29 |
| - | 1 | 1 | 455888-4 | SPACER, CRIMPER | 28 |
| - | 1 | 1 | 1320928-2 | STRIP GUIDE | 24 |
| - | 1 | 1 | 2168083-2 | SCR, SKT HD CAP, RoHS, M4 X 8.0 | 21 |
| - | 4 | 4 | 1-18028-2 | WASHER, FLAT, REG M4 | 20 |
| - | 1 | 1 | 2119533-1 | STRIPPER, SIDE FEED | 19 |
| - | 1 | 1 | 133264-1 | HOLD DOWN | 18 |
| 1 | 1 | 1 | 2119806-1 | INSERT, SHEAR | 13 |
| - | 1 | 1 | 3-22280-3 | SPRING, COMPRESSION | 12 |
| - | 1 | 1 | 1-356885-4 | STOP, SHEAR | 11 |
| - | 1 | 1 | 2119805-1 | SHEAR HOLDER, FRONT | 10 |
| - | 1 | 1 | 1633861-1 | SHEAR, FLOATING | 9 |
| 1 | 1 | 1 | 4-1333203-2 | ANVIL, COMBINATION | 8 |
| - | - | - | - | - | 7 |
| - | - | - | - | - | 6 |
| - | 1 | 1 | 1-2119780-1 | DEPRESSOR, SHEAR | 5 |
| - | 1 | 1 | 4-238011-1 | BLOCK, CRIMPER SPACER | 4 |
| 1 | 1 | 1 | 1633989-8 | CRIMPER, INSULATION, SPECIAL | 3 |
| 1 | 1 | 1 | 1633169-2 | CRIMPER, WIRE, SPECIAL | 1 |

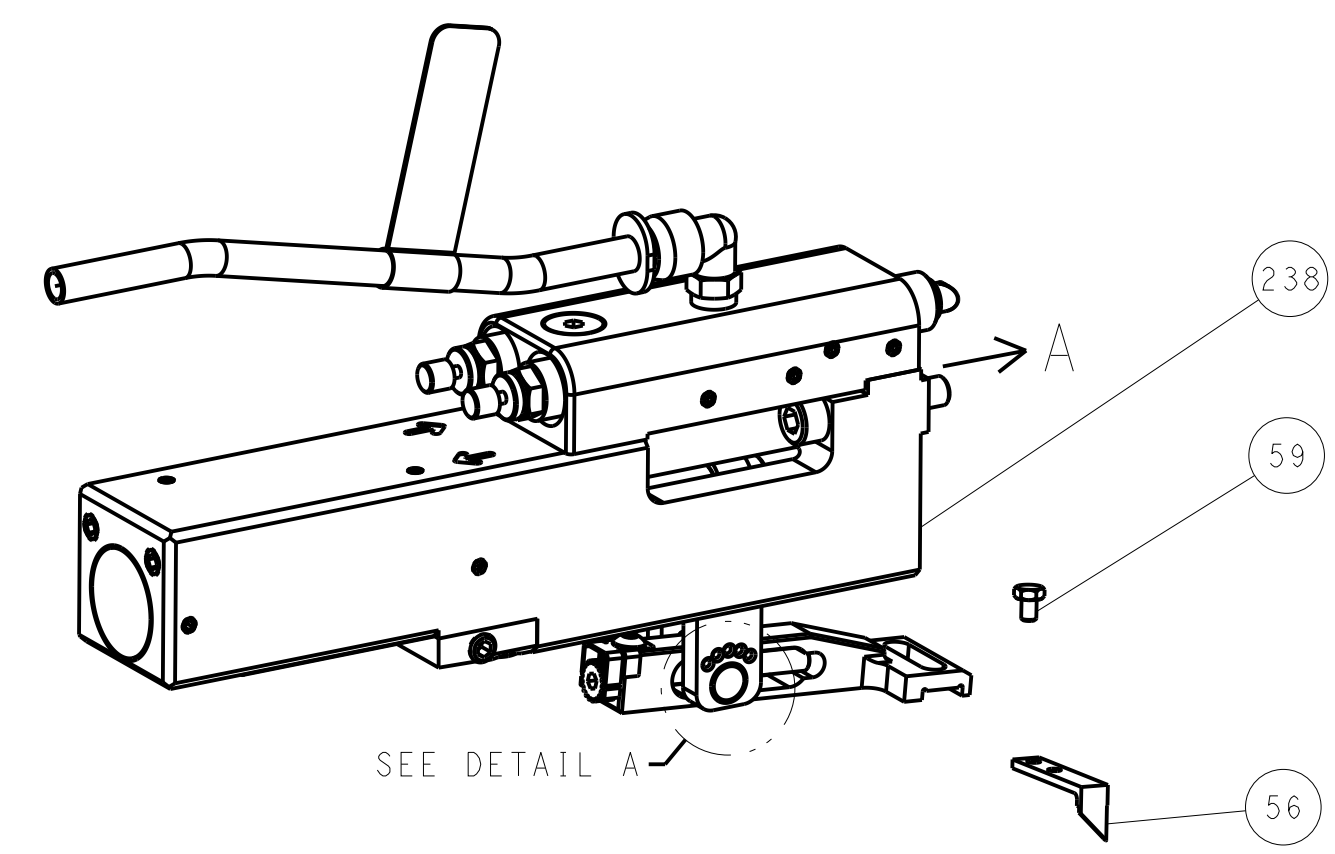
| | | | | | | | | | | | |
|-------------------|--|---|--|-----------------------------|--|-----------------------------|--|--------------------------|--|------------------------------------|--|
| DIMENSIONS: mm | | TOLERANCES UNLESS OTHERWISE SPECIFIED: 0 PLC ± 1 PLC ± 2 PLC ± 3 PLC ± 4 PLC ± ANGLES ± | | DWG L. ZHANG 26 JUL 2012 | | CHK L. ZHANG 26 JUL 2012 | | APV S. XI 26 JUL 2012 | | NAME Ocean Side Feed Applicator | |
| MATERIAL | | FINISH | | WEIGHT | | SCALE | | SHEET | | REV | |
| | | | | | | A1 00779 | | 3 of 4 | | K1 | |

| LOC | | DIST | | REVISIONS | | | |
|-----|----|------|-----|-------------|------|-----|------|
| A | 66 | P | LTM | DESCRIPTION | DATE | DWN | APVD |
| | | - | | SEE SHEET 1 | | | |

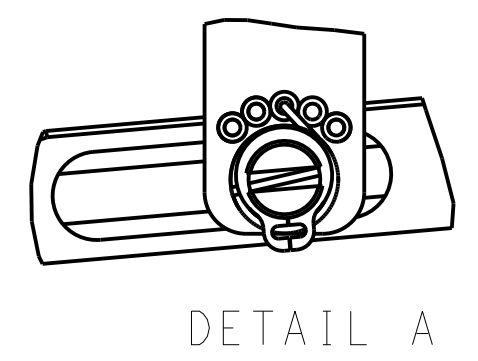
FEED TYPE MECHANICAL



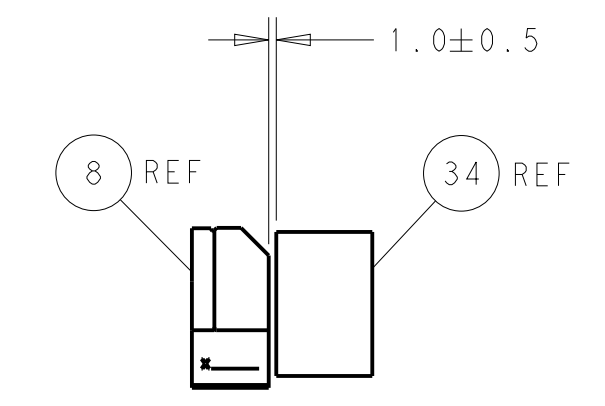
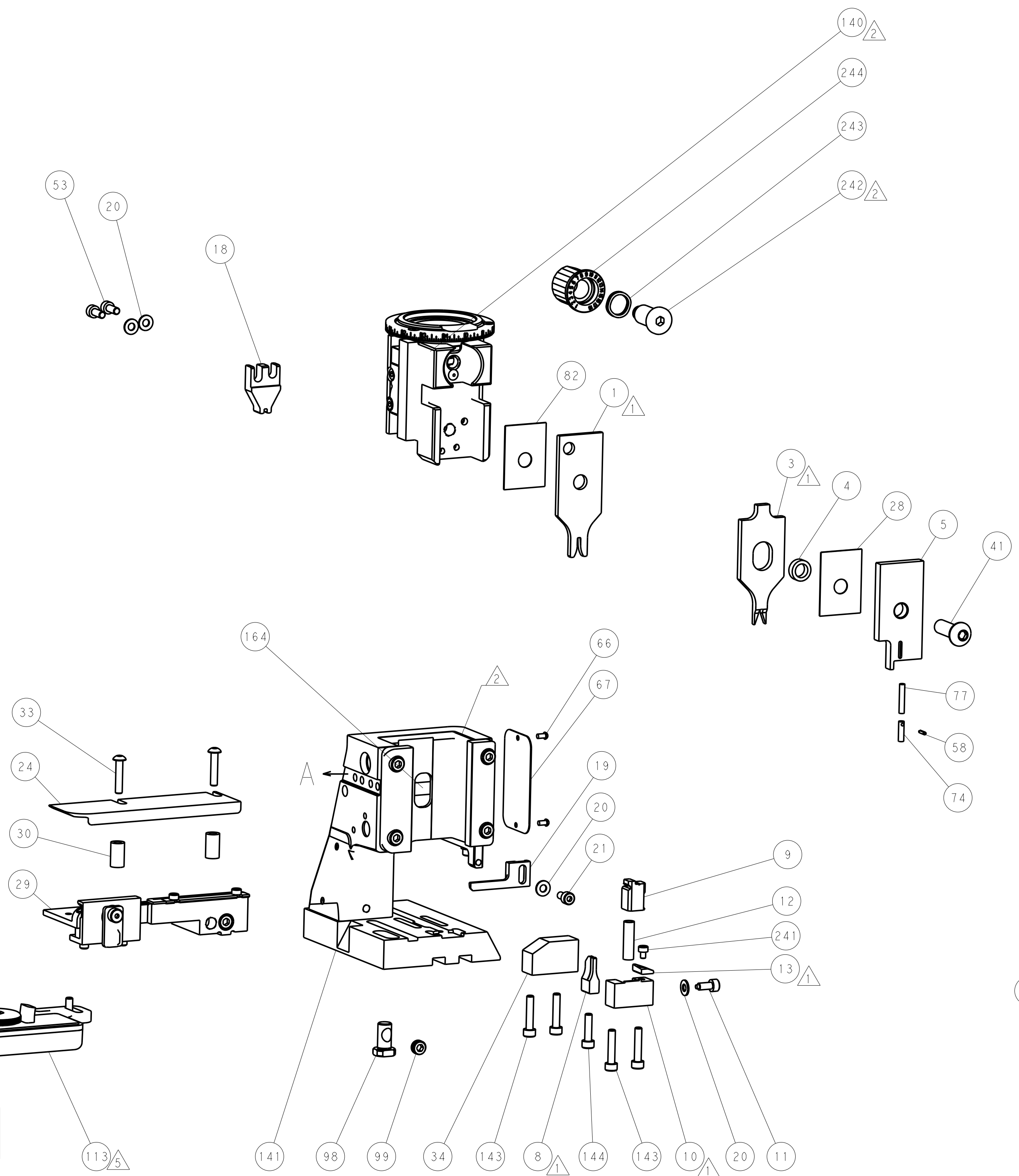
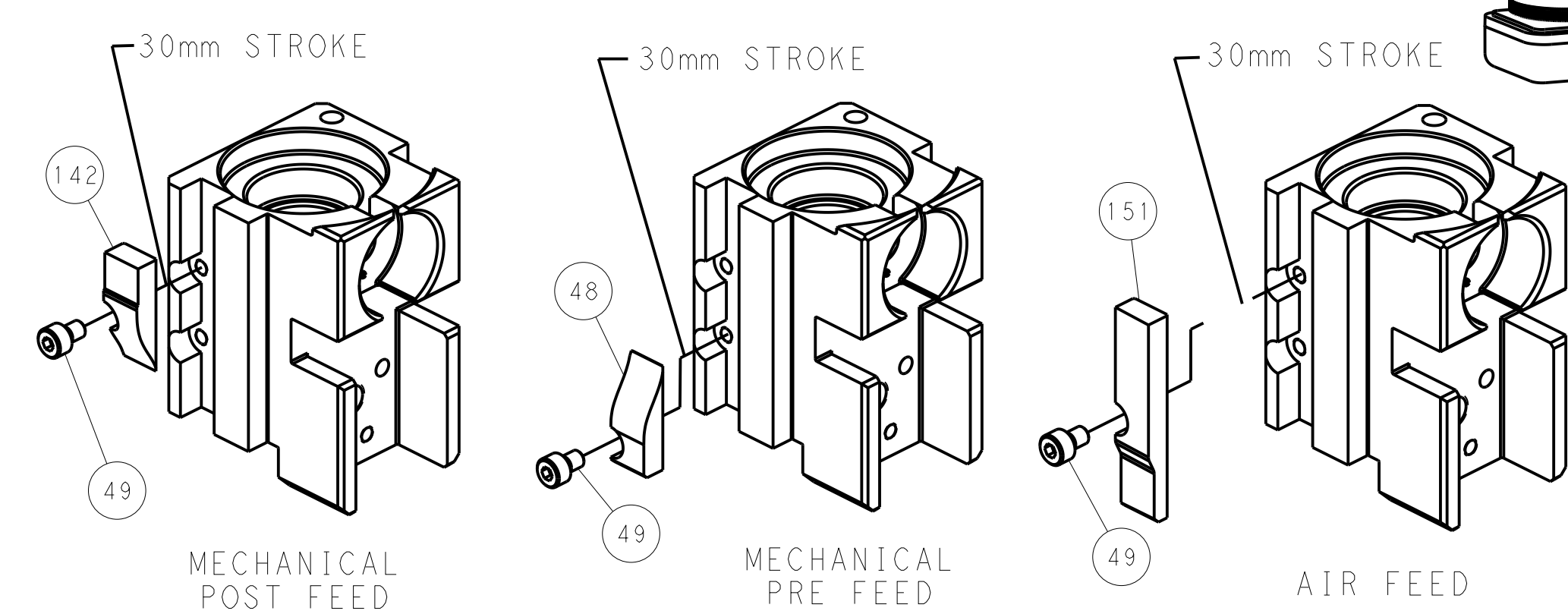
PNEUMATIC



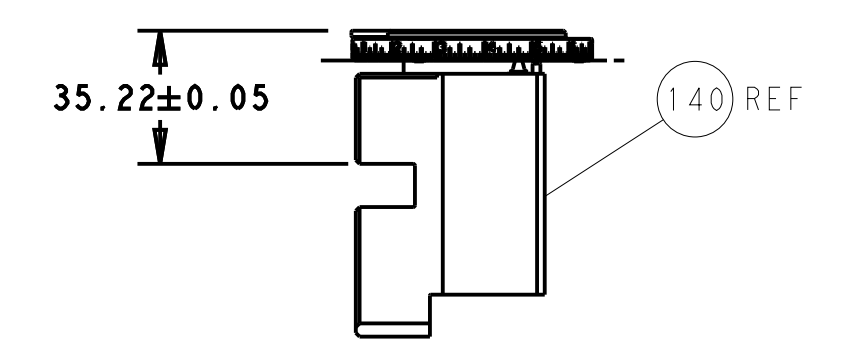
FEED SPRING SETTING POSITION (SHOWN FROM REAR SIDE)



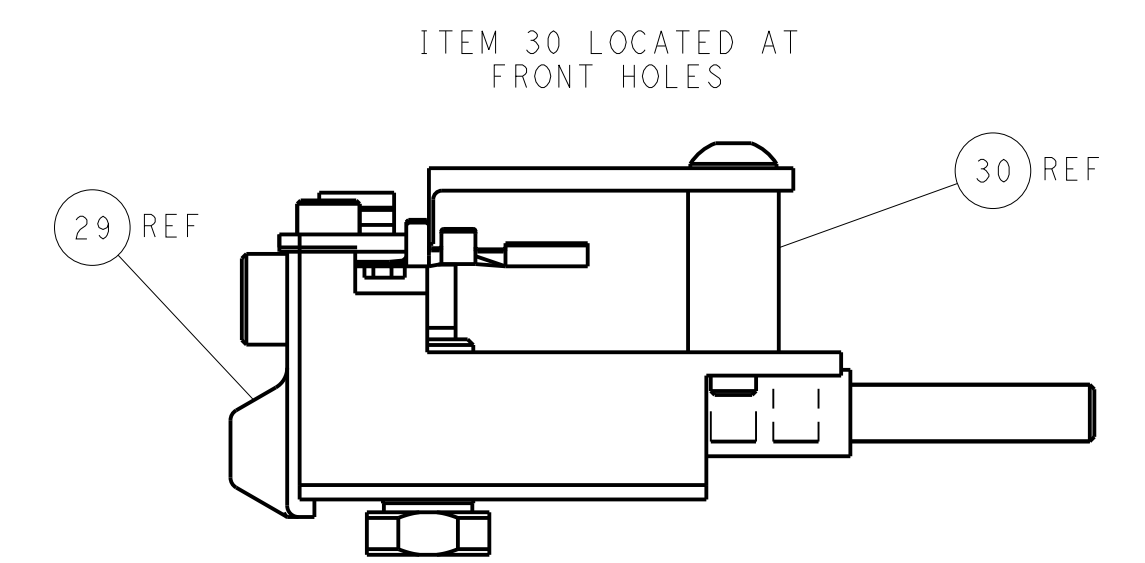
CAM POSITIONS



TERMINAL SUPPORT LOCATION



RAM SET-UP



FEED TRACK POSITION GUIDE BY INSULATION BARREL

PACIFIC VERSION
 Shown on sheets 3 of 4 & 4 of 4
 (Atlantic version shown on sheets 1 of 4 & 2 of 4)

| | | | | |
|---|--------------------------|---|---|--|
| <small>THE INFORMATION CONTAINED HEREON IS UNCLASSIFIED UNLESS INDICATED OTHERWISE. IT IS SUBJECT TO CHANGE AND WITHOUT WARRANTY OF ANY KIND. THE INFORMATION CONTAINED HEREON IS THE PROPERTY OF TYCO ELECTRONICS CORPORATION. IT IS SUBJECT TO CHANGE AND WITHOUT WARRANTY OF ANY KIND. THE INFORMATION CONTAINED HEREON IS THE PROPERTY OF TYCO ELECTRONICS CORPORATION.</small> | | DWN: L. ZHANG 26 JUL 2012 CHK: L. ZHANG 26 JUL 2012 APVD: S. XI 26 JUL 2012 | NAME: Ocean Side Feed Applicator SIZE: A1 CAGE CODE: 00779 DRAWING NO: 2151353 | RESTRICTED TO: - SCALE: 1:2 SHEET: 4 OF 4 REV: K1 |
| DIMENSIONS: mm TOLERANCES UNLESS OTHERWISE SPECIFIED: 0 PLC ± 1 PLC ± 2 PLC ± 3 PLC ± 4 PLC ± ANGLES ± | MATERIAL: - FINISH: - | PRODUCT SPEC: - APPLICATION SPEC: - WEIGHT: - | CUSTOMER ACCESSIBLE PRODUCTION DRAWING | |

Mouser Electronics

Authorized Distributor

Click to View Pricing, Inventory, Delivery & Lifecycle Information:

[TE Connectivity:](#)

[7-2151353-7](#)