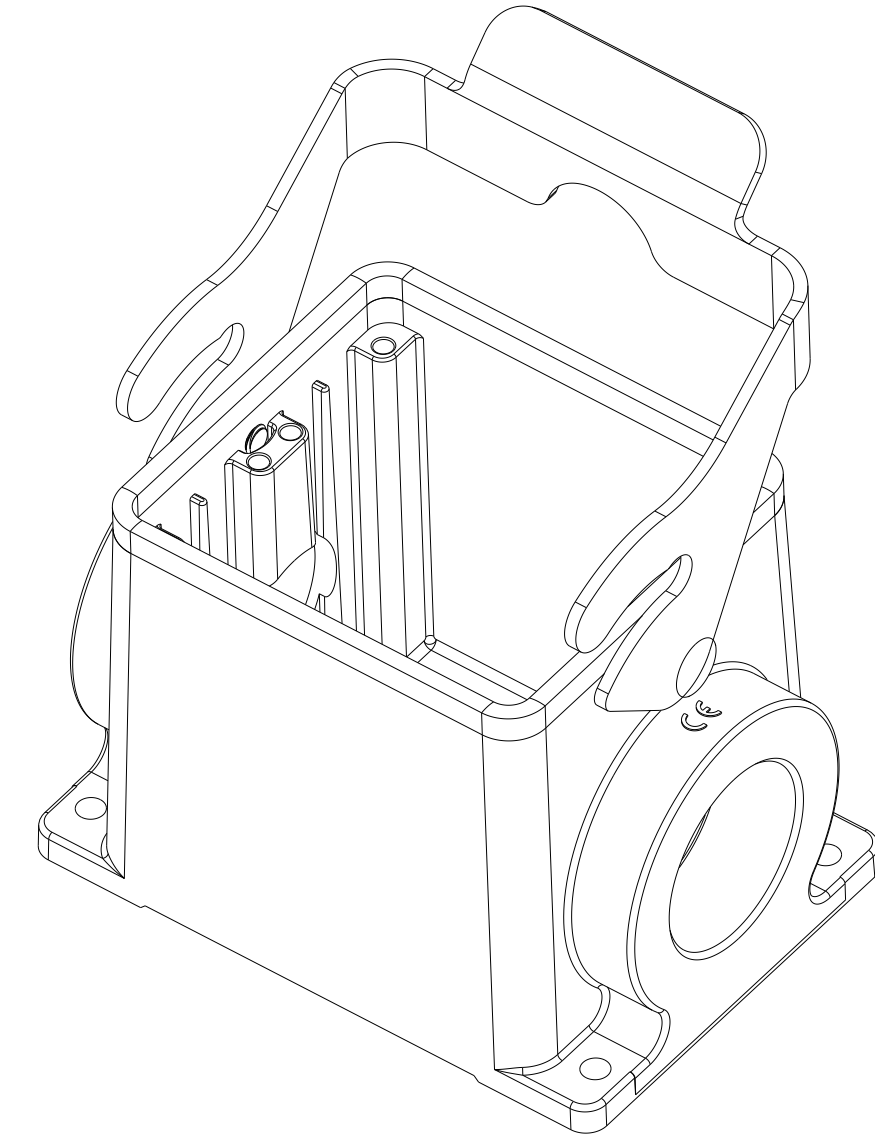
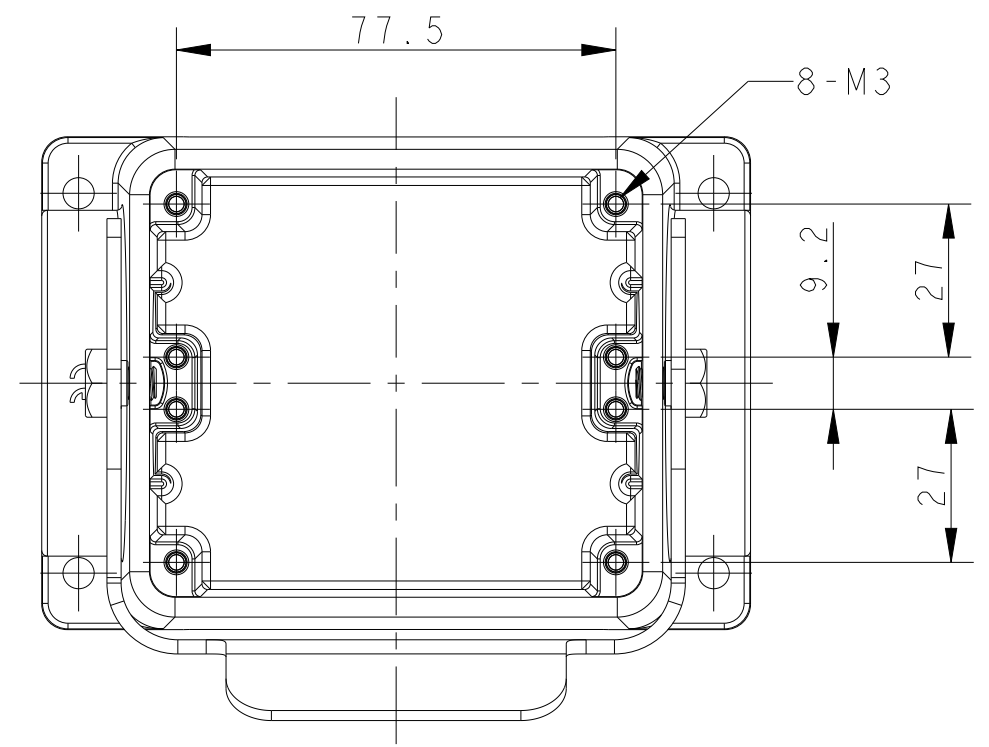


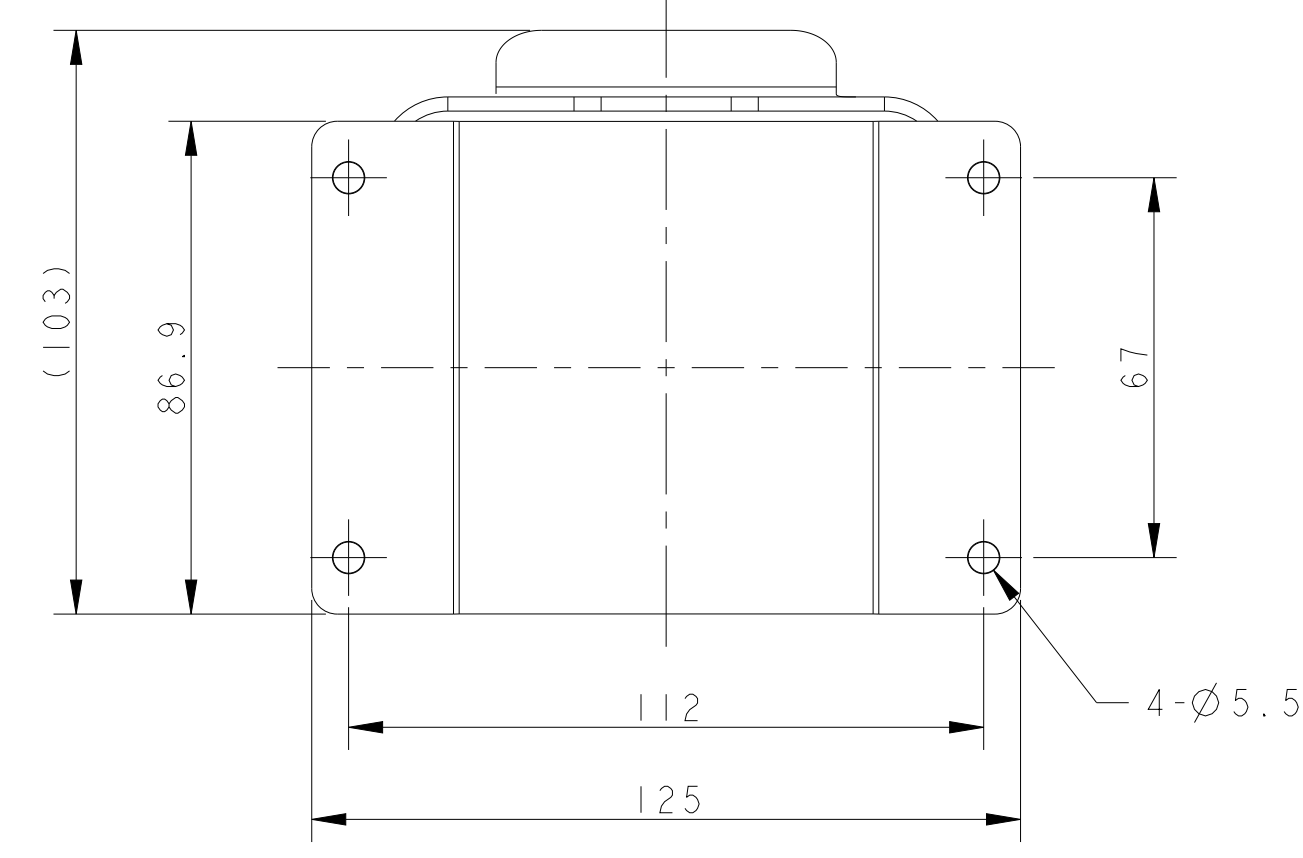
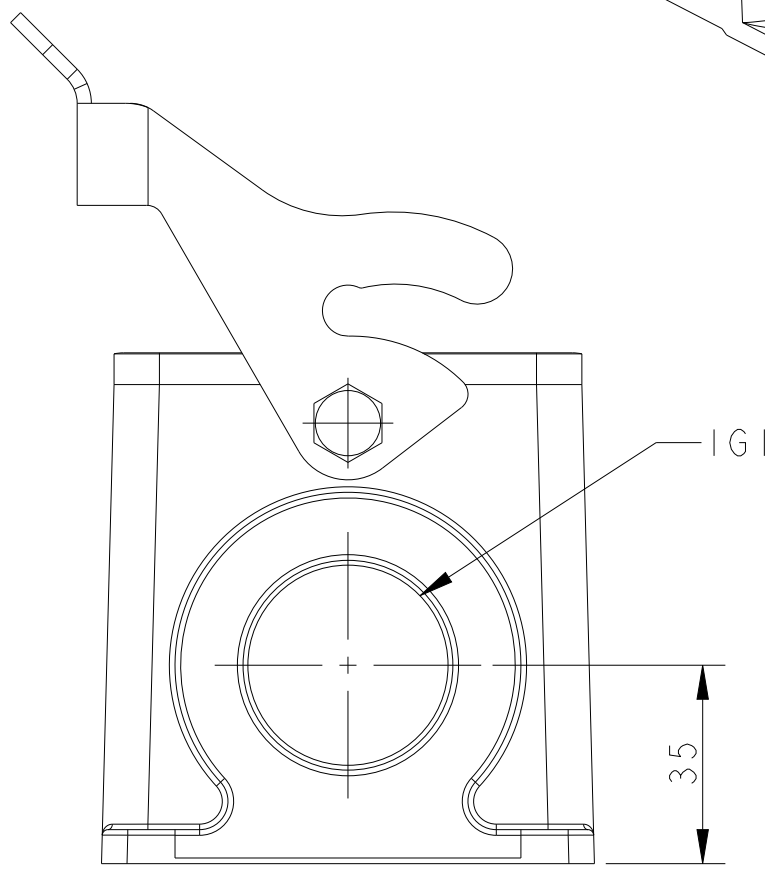
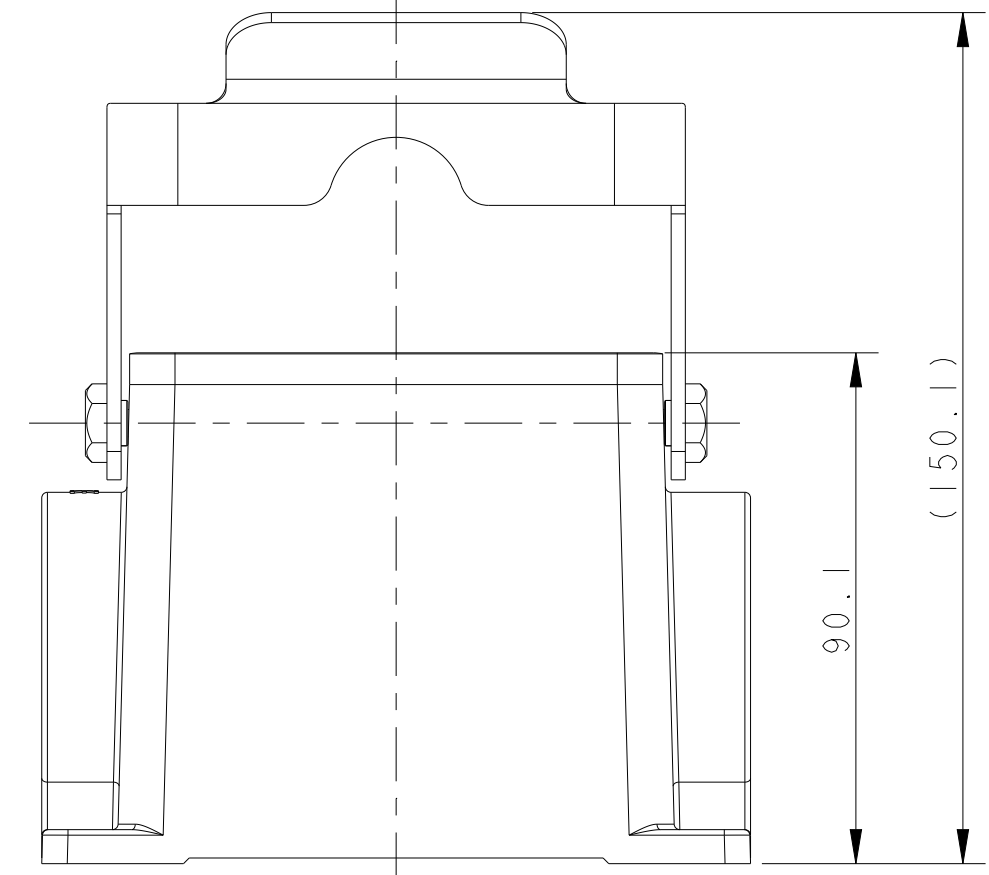
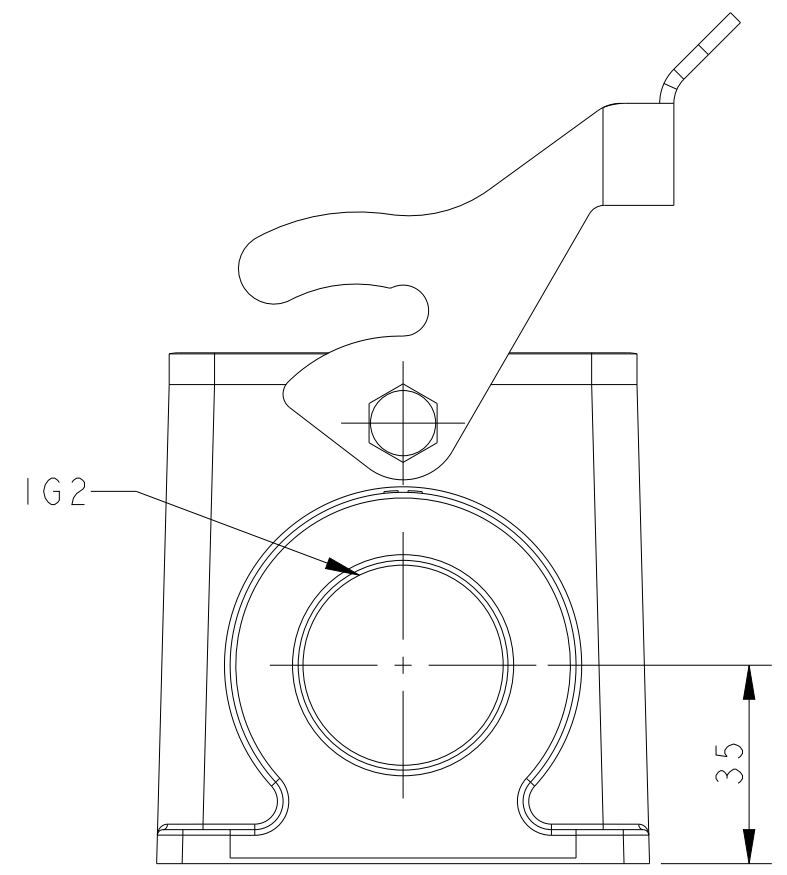
THIS DRAWING IS UNPUBLISHED. RELEASED FOR PUBLICATION 20  
 © COPYRIGHT 20 BY - ALL RIGHTS RESERVED.

REVISIONS				
P	LTR	DESCRIPTION	DATE	APVD
A		INITIAL RELEASE	04JUN2015	DL CW
B		ECR-21-109004	17AUG2021	WOR CW



NOTES:  
 1. TECHNICAL CHARACTERISTICS:  
 BODY MATERIAL: DIE CAST ALUMINIUM ALLOY  
 SURFACE TREATMENT: POWDER-COATED, GRAY  
 DEGREE OF PROTECTION: IP65 (MATED)

注释:  
 1. 技术参数:  
 主体材料: 铝合金  
 表面处理: 粉末喷涂, 灰色  
 防护等级: IP65(配合)



T1610322129-000	H32B-SGR-LB-PG29	PG29	-
T1610322132-000	H32B-SGR-LB-M32	M32	-
T1610322136-000	H32B-SGR-LB-PG36	PG36	-
T1610322140-000	H32B-SGR-LB-M40	M40	-
T1610322142-000	H32B-SGR-LB-PG42	PG42	-
T1610322150-000	H32B-SGR-LB-M50	M50	-
T1610322229-000	H32B-SGR-LB-2PG29	PG29	PG29
T1610322232-000	H32B-SGR-LB-2M32	M32	M32
T1610322236-000	H32B-SGR-LB-2PG36	PG36	PG36
T1610322240-000	H32B-SGR-LB-2M40	M40	M40
ASSEMBLY PART NUMBER	ASSEMBLY PART DESCRIPTION	IG1	IG2

THIS DRAWING IS A CONTROLLED DOCUMENT.

DWN DAVID LI 04JUN2015	TE Connectivity	
CHK CHRIS WANG 04JUN2015		
APVD XU XIANG 04JUN2015		
NAME H32B-SGR-LB-PG/M		
DIMENSIONS: mm	TOLERANCES UNLESS OTHERWISE SPECIFIED:	PRODUCT SPEC 108-137013
0 PLC ±	1 PLC ±	APPLICATION SPEC 114-137013
2 PLC ±	2 PLC ±	WEIGHT -
3 PLC ±	3 PLC ±	SIZE A2
4 PLC ±	4 PLC ±	CAGE CODE -
ANGLES ±	FINISH -	DRAWING NO. C-T1610322XXX000
MATERIAL -	-	RESTRICTED TO
-	-	SCALE 3:4
CUSTOMER DRAWING	SCALE 3:4	SHEET 1 OF 1
		REV B

# Mouser Electronics

Authorized Distributor

Click to View Pricing, Inventory, Delivery & Lifecycle Information:

[TE Connectivity:](#)

[T1610322236-000](#)