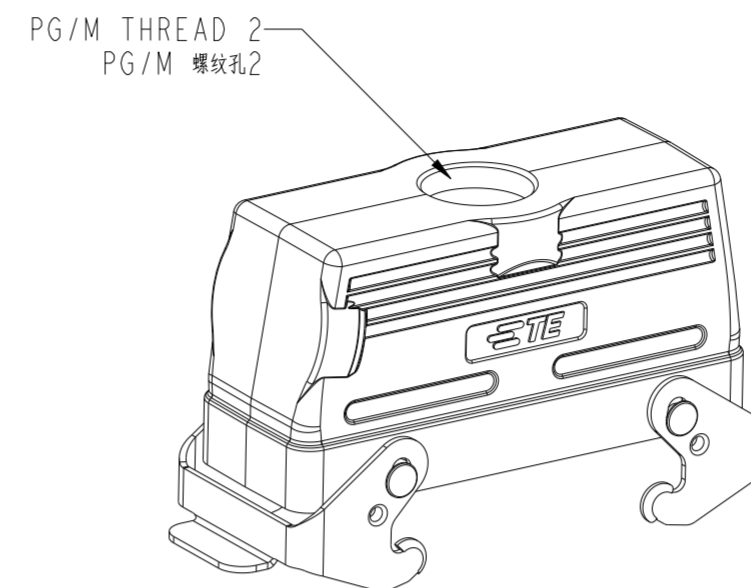
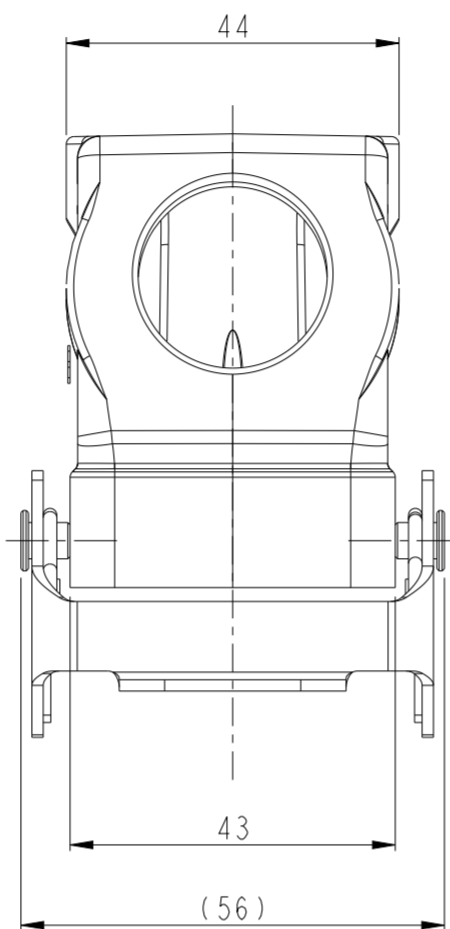
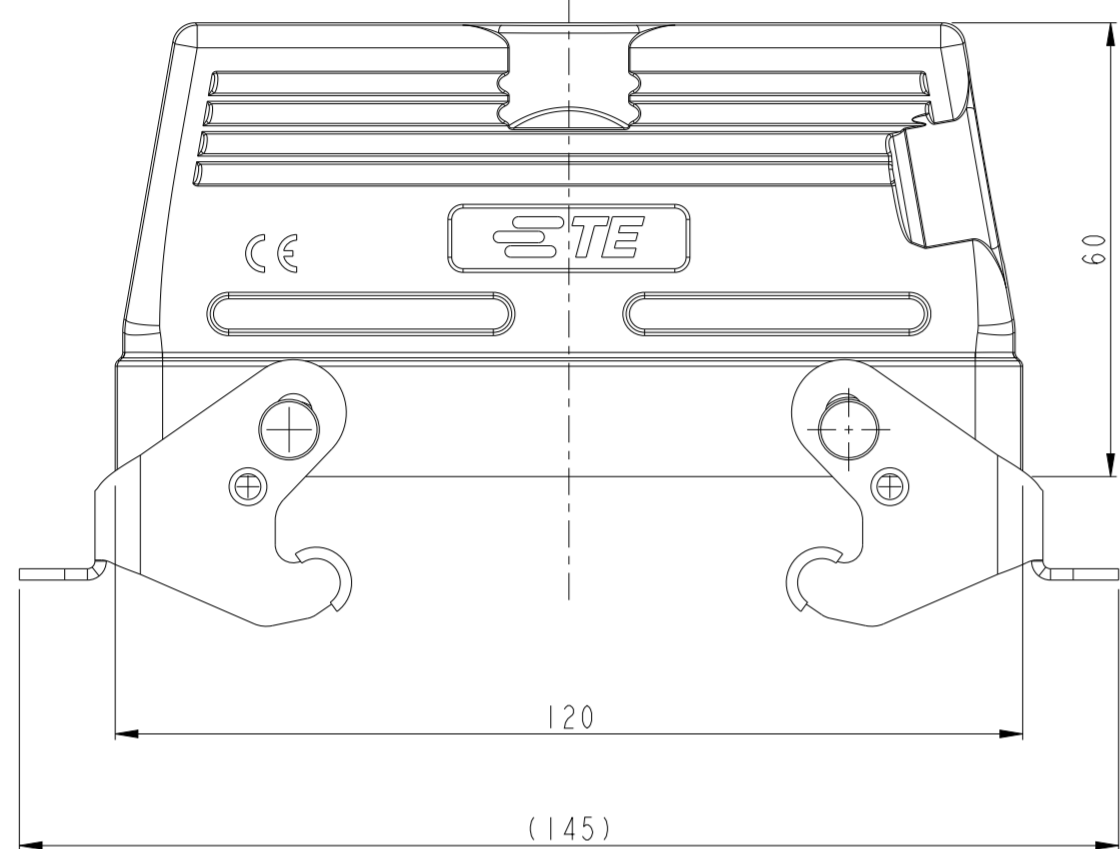


THIS DRAWING IS UNPUBLISHED. RELEASED FOR PUBLICATION 20  
 © COPYRIGHT 20 BY - ALL RIGHTS RESERVED.

| REVISIONS |     |               |           |        |
|-----------|-----|---------------|-----------|--------|
| P         | LTR | DESCRIPTION   | DATE      | APVD   |
| A         |     | INITIAL       | 29MAY2015 | DW CW  |
| AI        |     | ECR-17-008664 | 17JUN2017 | CH CW  |
| B         |     | ECR-20-014876 | 06NOV2020 | WOR CW |

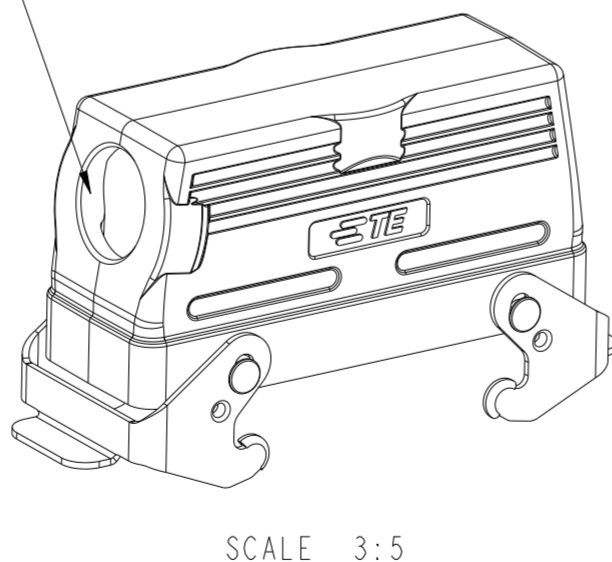
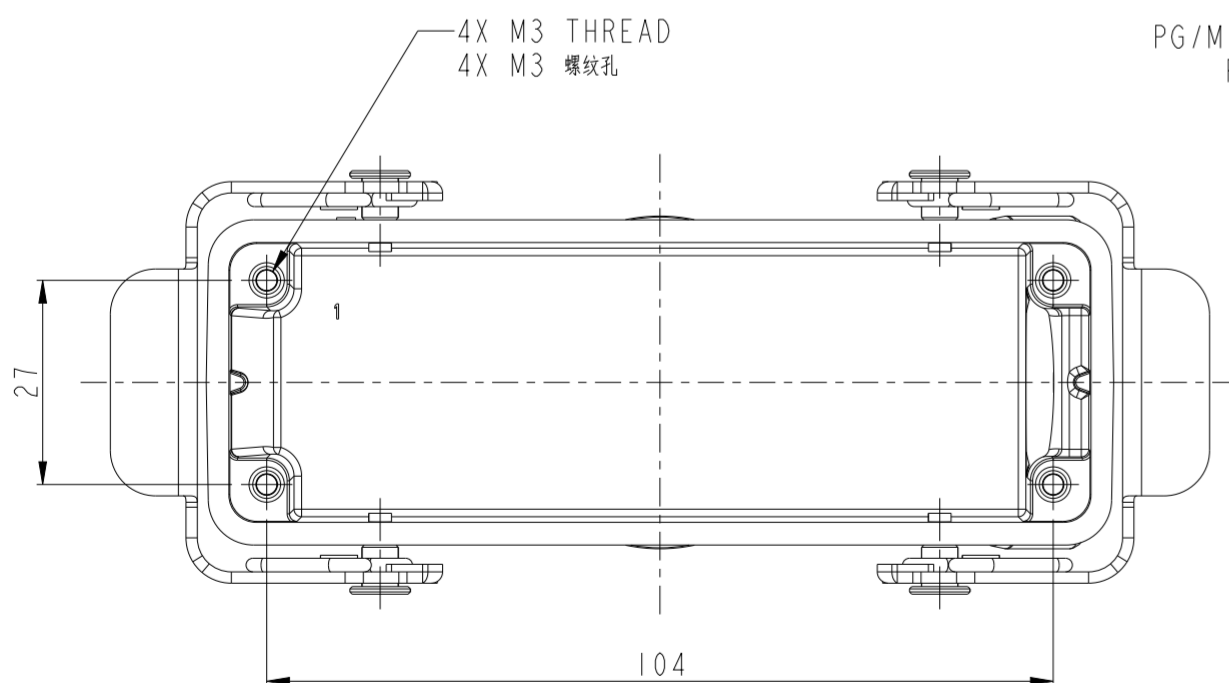


SCALE 3:5

TYPE 2: LOW CONSTRUCTION, TOP ENTRY WITH STEEL DOUBLE LOCKING  
 OTHER SPEC REFER TO TYPE 1  
 类型2: 低结构, 顶出, 带彩锌双扣, 其它规格参照类型1

NOTES:  
 1. TECHNICAL CHARACTERISTICS:  
 HOOD MATERIAL: DIE CAST ALUMINIUM ALLOY  
 SURFACE: POWDER COATED, GREY  
 DEGREE OF PROTECTION: IP65 (MATED)

注释:  
 1. 技术参数:  
 上壳材料: 铝合金  
 表面处理: 灰色粉末喷涂  
 防护等级: IP65(配合)



SCALE 3:5

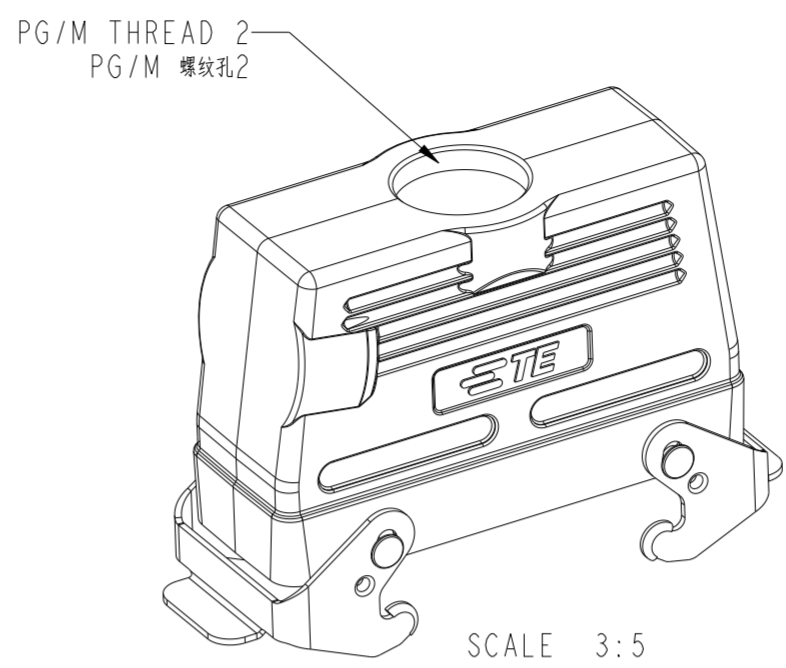
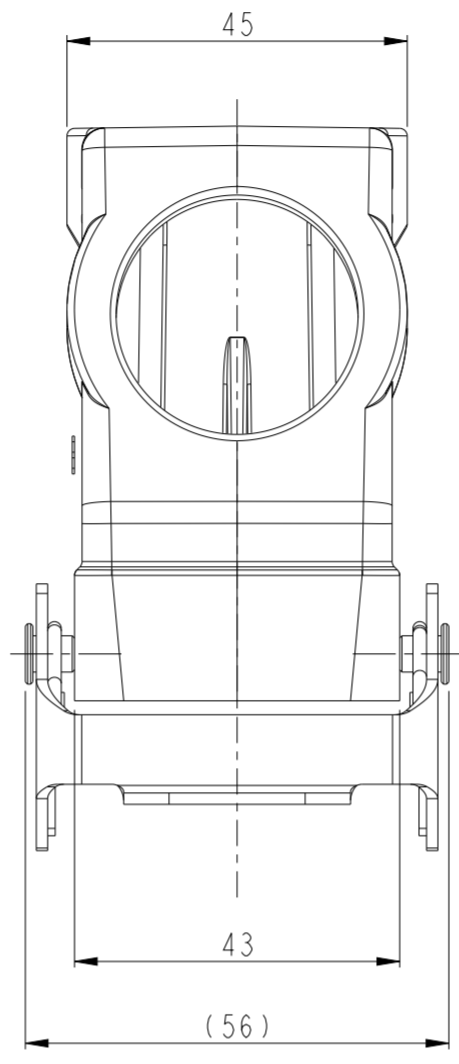
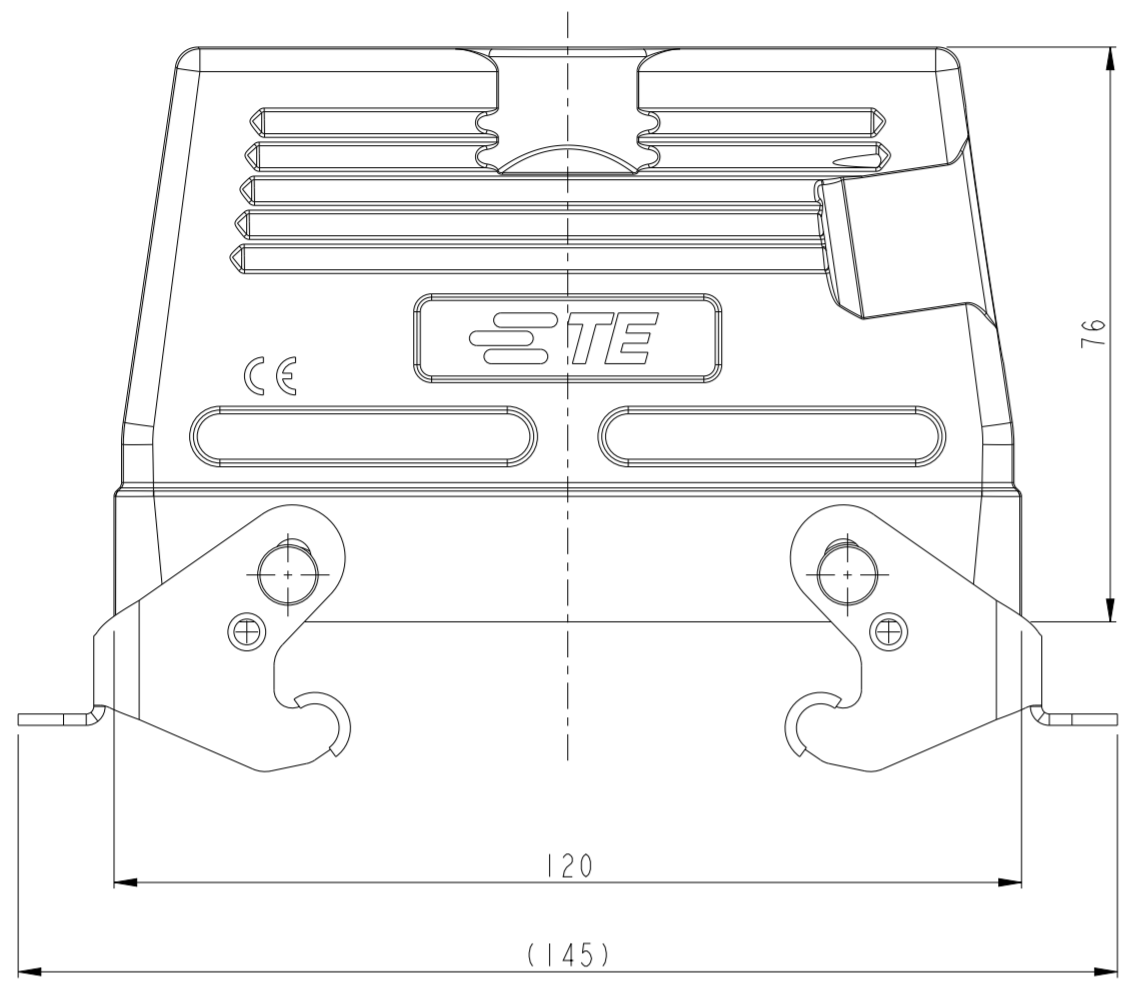
TYPE 1: LOW CONSTRUCTION, SIDE ENTRY WITH STEEL DOUBLE LOCKING  
 类型1: 低结构, 侧出, 带彩锌双扣

| PART NUMBER<br>料号 | PART DESCRIPTION<br>描述   | PG/M THREAD 1<br>PG/M 螺纹孔1 | PG/M THREAD 2<br>PG/M 螺纹孔2 | TYPE<br>类型    |
|-------------------|--|----------------------------|----------------------------|---------------|
| T1260242132-000   | H24B-TGB-M32<br>H24B HOOD, TOP ENTRY M32, METAL DOUBLE LOCKING, POWDER COATED, GREY<br>H24B上壳, 顶出M32, 彩锌双扣, 灰色粉末喷涂     | -                          | M32                        | TYPE 2<br>类型2 |
| T1260242129-000   | H24B-TGB-PG29<br>H24B HOOD, TOP ENTRY PG29, METAL DOUBLE LOCKING, POWDER COATED, GREY<br>H24B上壳, 顶出PG29, 彩锌双扣, 灰色粉末喷涂  | -                          | PG29                       |               |
| T1260242125-000   | H24B-TGB-M25<br>H24B HOOD, TOP ENTRY M25, METAL DOUBLE LOCKING, POWDER COATED, GREY<br>H24B上壳, 顶出M25, 彩锌双扣, 灰色粉末喷涂     | -                          | M25                        |               |
| T1260242121-000   | H24B-TGB-PG21<br>H24B HOOD, TOP ENTRY PG21, METAL DOUBLE LOCKING, POWDER COATED, GREY<br>H24B上壳, 顶出PG21, 彩锌双扣, 灰色粉末喷涂  | -                          | PG21                       |               |
| T1260240000-000   | H24B-TGB<br>H24B HOOD, NO ENTRY, METAL DOUBLE LOCKING, POWDER COATED, GREY<br>H24B上壳, 无开孔, 彩锌双扣, 灰色粉末喷涂                | -                          | -                          |               |
| T1250242132-000   | H24B-TSB-M32<br>H24B HOOD, SIDE ENTRY M32, METAL DOUBLE LOCKING, POWDER COATED, GREY<br>H24B上壳, 侧出M32, 彩锌双扣, 灰色粉末喷涂    | M32                        | -                          | TYPE 1<br>类型1 |
| T1250242125-000   | H24B-TSB-M25<br>H24B HOOD, SIDE ENTRY M25, METAL DOUBLE LOCKING, POWDER COATED, GREY<br>H24B上壳, 侧出M25, 彩锌双扣, 灰色粉末喷涂    | M25                        | -                          |               |
| T1250242121-000   | H24B-TSB-PG21<br>H24B HOOD, SIDE ENTRY PG21, METAL DOUBLE LOCKING, POWDER COATED, GREY<br>H24B上壳, 侧出PG21, 彩锌双扣, 灰色粉末喷涂 | PG21                       | -                          |               |

|  |  |                             |                                  |                 |
|--|--|-----------------------------|----------------------------------|-----------------|
| THIS DRAWING IS A CONTROLLED DOCUMENT. |  | DWN DAVID.WANG 29MAY2015    | TE Connectivity                  |                 |
|  |  | CHK CHRIS.WANG 29MAY2015    |                                  |                 |
| DIMENSIONS: mm                         |  | APVD XIANG.XU 29MAY2015     | NAME H24B-TSB/TGB/TSBH/TGBH-M/PG |                 |
| TOLERANCES UNLESS OTHERWISE SPECIFIED: |  | PRODUCT SPEC 108-137013     | RESTRICTED TO                    |                 |
| 0 PLC ±                                |  | APPLICATION SPEC 114-137013 | SIZE A2                          | CAGE CODE 00779 |
| 1 PLC ±                                |  | WEIGHT -                    | DRAWING NO C-T12X024XXXX000      |                 |
| 2 PLC ±                                |  | Customer Drawing            | SCALE 1:1                        | SHEET 1 OF 2    |
| 3 PLC ±                                |  |                             |                                  | REV B           |
| 4 PLC ±                                |  |                             |                                  |                 |
| ANGLES ±                               |  |                             |                                  |                 |
| FINISH -                               |  |                             |                                  |                 |

THIS DRAWING IS UNPUBLISHED. RELEASED FOR PUBLICATION 20  
 © COPYRIGHT 20 BY - ALL RIGHTS RESERVED.

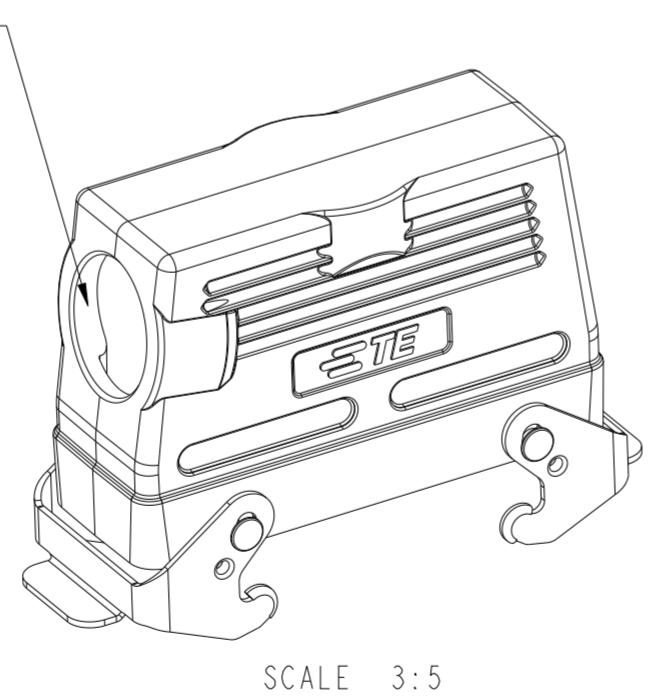
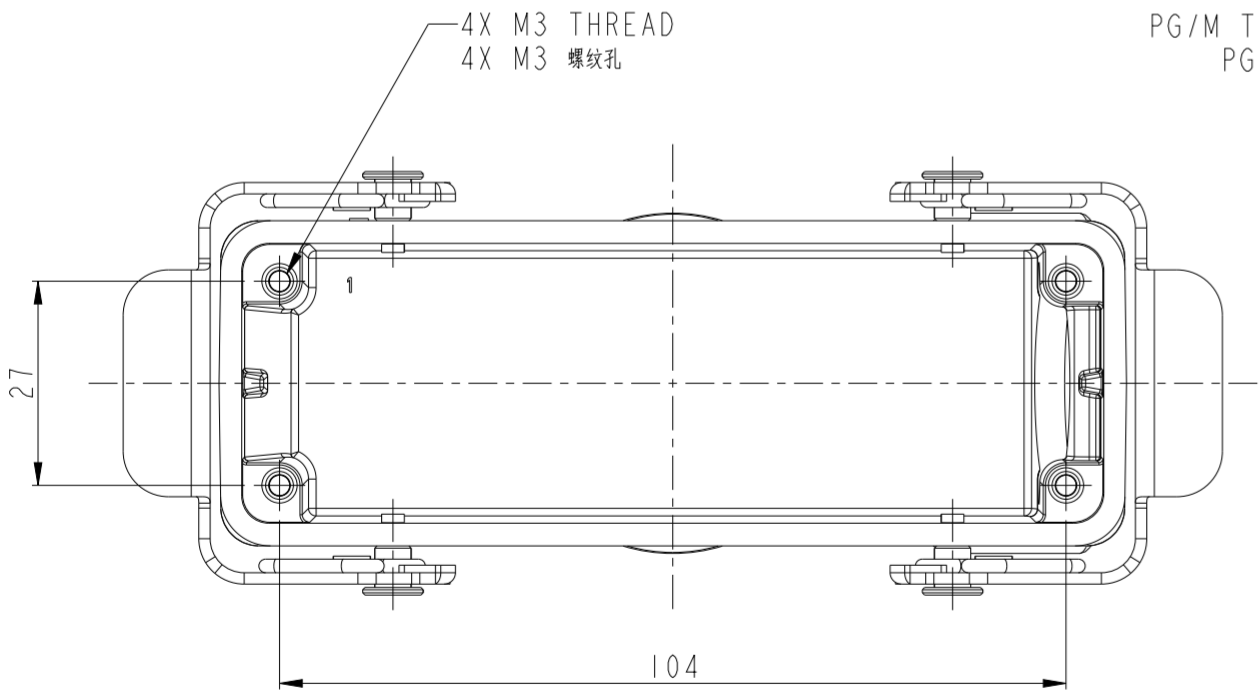
| REVISIONS |     |             |      |      |
|-----------|-----|-------------|------|------|
| P         | LTR | DESCRIPTION | DATE | APVD |
| -         | -   | SEE SHEET 1 | -    | -    |
|           |     |             |      |      |
|           |     |             |      |      |



NOTES:  
SEE SHEET 1

TYPE 4: HIGH CONSTRUCTION, TOP ENTRY WITH STEEL DOUBLE LOCKING  
 OTHER SPEC REFER TO TYPE 3  
 类型4: 高结构, 顶出, 带彩锌双扣, 其它规格参照类型3

| PART NUMBER     | PART DESCRIPTION  | PG/M THREAD 1 | PG/M THREAD 2 | TYPE          |
|-----------------|---|---------------|---------------|---------------|
| 料号              | 描述  | PG/M 螺纹孔1     | PG/M 螺纹孔2     | 类型            |
| T1280242140-000 | H10B-TGBH-M40<br>H24B HOOD, TOP ENTRY M40, METAL DOUBLE LOCKING, HIGH CONSTRUCTION, POWDER COATED, GREY<br>H24B上壳, 顶出M40, 彩锌双扣, 高结构, 灰色粉末喷涂     | -             | M40           | TYPE 4<br>类型4 |
| T1280242132-000 | H24B-TGBH-M32<br>H24B HOOD, TOP ENTRY M32, METAL DOUBLE LOCKING, HIGH CONSTRUCTION, POWDER COATED, GREY<br>H24B上壳, 顶出M32, 彩锌双扣, 高结构, 灰色粉末喷涂     | -             | M32           |               |
| T1280242129-000 | H24B-TGBH-PG29<br>H24B HOOD, TOP ENTRY PG29, METAL DOUBLE LOCKING, HIGH CONSTRUCTION, POWDER COATED, GREY<br>H24B上壳, 顶出PG29, 彩锌双扣, 高结构, 灰色粉末喷涂  | -             | PG29          |               |
| T1280242125-000 | H24B-TGBH-M25<br>H24B HOOD, TOP ENTRY M25, METAL DOUBLE LOCKING, HIGH CONSTRUCTION, POWDER COATED, GREY<br>H24B上壳, 顶出M25, 彩锌双扣, 高结构, 灰色粉末喷涂     | -             | M25           |               |
| T1280242121-000 | H24B-TGBH-PG21<br>H24B HOOD, TOP ENTRY PG21, METAL DOUBLE LOCKING, HIGH CONSTRUCTION, POWDER COATED, GREY<br>H24B上壳, 顶出PG21, 彩锌双扣, 高结构, 灰色粉末喷涂  | -             | PG21          | TYPE 3<br>类型3 |
| T1270242140-000 | H24B-TSBH-M40<br>H24B HOOD, SIDE ENTRY M40, METAL DOUBLE LOCKING, HIGH CONSTRUCTION, POWDER COATED, GREY<br>H24B上壳, 侧出M40, 彩锌双扣, 高结构, 灰色粉末喷涂    | M40           | -             |               |
| T1270242132-000 | H24B-TSBH-M32<br>H24B HOOD, SIDE ENTRY M32, METAL DOUBLE LOCKING, HIGH CONSTRUCTION, POWDER COATED, GREY<br>H24B上壳, 侧出M32, 彩锌双扣, 高结构, 灰色粉末喷涂    | M32           | -             |               |
| T1270242129-000 | H24B-TSBH-PG29<br>H24B HOOD, SIDE ENTRY PG29, METAL DOUBLE LOCKING, HIGH CONSTRUCTION, POWDER COATED, GREY<br>H24B上壳, 侧出PG29, 彩锌双扣, 高结构, 灰色粉末喷涂 | PG29          | -             |               |
| T1270242121-000 | H24B-TSBH-PG21<br>H24B HOOD, SIDE ENTRY PG21, METAL DOUBLE LOCKING, HIGH CONSTRUCTION, POWDER COATED, GREY<br>H24B上壳, 侧出PG21, 彩锌双扣, 高结构, 灰色粉末喷涂 | PG21          | -             |               |



TYPE 3: HIGH CONSTRUCTION, SIDE ENTRY WITH STEEL DOUBLE LOCKING  
 类型3: 高结构, 侧出, 带彩锌双扣

THIS DRAWING IS A CONTROLLED DOCUMENT. DWN DAVID.WANG 29MAY2015  
 CHK CHRIS.WANG 29MAY2015  
 APVD XIANG.XU 29MAY2015

**STE** TE Connectivity

NAME: H24B-TSB/TGB/TSBH/TGBH-M/PG

PRODUCT SPEC: 108-137013  
 APPLICATION SPEC: 114-137013

SIZE: A2 CAGE CODE: 00779 DRAWING NO: C-T12X024XXXX000 RESTRICTED TO: -  
 WEIGHT: - SCALE: 1:1 SHEET: 2 OF 2 REV: B

Customer Drawing

# Mouser Electronics

Authorized Distributor

Click to View Pricing, Inventory, Delivery & Lifecycle Information:

[TE Connectivity:](#)

[T1270242121-000](#)