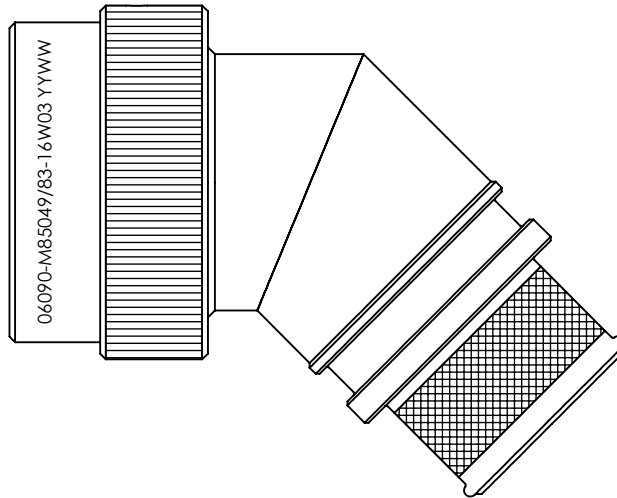


REVISIONS



## SELF-LOCKING SHIELD BAND TERMINATION SHRINK BOOT ACCOMMODATION 45° ADAPTOR

1. THIS PRODUCT IS DESIGNED TO TERMINATE A BRAIDED CABLE SHIELD AND A HEAT SHRINKABLE LIPPED BOOT TO A CONNECTOR, AND DESIGNED TO MEET REQUIREMENTS OF AS85049/83.
2. ALL COMPONENTS SHALL BE PACKAGED AND SUPPLIED IN A PLASTIC BAG AND LABELED WITH M85049/83 DESIGNATION. e.g. M85049/83-16W03.
3. THIS ADAPTOR MATES TO CONNECTOR SAE-AS50151 CRIMP, MIL-DTL-26482 SERIES 2, SAE-AS81703 SERIES 3, AND MIL-DTL-83723 SERIES III.
4. PART SUPPLIED WITH STANDARD DETENTED SELF-LOCKING WHICH PROVIDES A POSITIVE AUDIBLE DETENTED COUPLING.
5. CATEGORY 3B - MEDIUM DUTY - NON-ENVIRONMENTAL
6. FOR MATERIALS AND PLATING FINISHES INFORMATION REFER TO R85049.  
FOR ALTERNATIVE MATERIALS AND PLATING FINISHES CONTACT TE CONNECTIVITY.

RELEASED FOR PUBLICATION

ALL RIGHTS RESERVED.

THIS DRAWING IS UNPUBLISHED.

© COPYRIGHT 20 BY

|  |                        |            |  |                           |
|--|------------------------|------------|--|---------------------------|
| DIMENSIONS:<br>INCHES  | DWN: N.HAWKINS         | 05/06/2019 | MATERIAL: SEE P/N BREAKDOWN  | FINISH: SEE P/N BREAKDOWN |
| TOLERANCES UNLESS OTHERWISE SPECIFIED:<br><br>GENERAL TOL<br>LINEAR ±.01"<br>ANGULAR ±1° | CHK: R.STYLES          | 14/06/2019 | <b>STE</b> TE Connectivity   |                           |
|  | APVD: M.PAUL           | 27/06/2019 | PART NUMBER:<br>R85049/83 SERIES   |                           |
|  | PRODUCT SPEC:<br>-     |            | NAME:<br>Connector Accessories, Electrical, Backshell, 45 Deg, Self-Locking, Shield Band Termination (RFI/EMI), Shrink Sleeve Accommodation, Category 3B |                           |
|  | APPLICATION SPEC:<br>- |            | SIZE   | CAGE CODE                 |
|  | WEIGHT:                |            | DRAWING NO   | RESTRICTED TO             |
|  | CUSTOMER DRAWING       |            | A4   | 06090                     |
|  |                        |            | C=P45757   |                           |
|  |                        |            | SCALE  | SHEET                     |
|  |                        |            | 1.5:1  | 1 OF 2                    |
|  |                        |            |  | REV CA                    |

REVISIONS

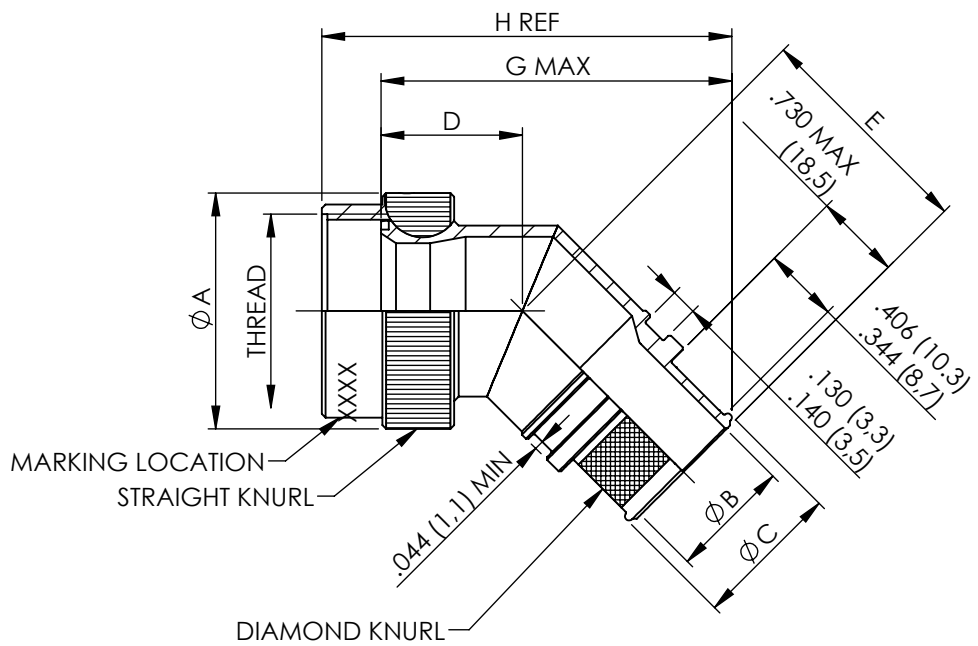
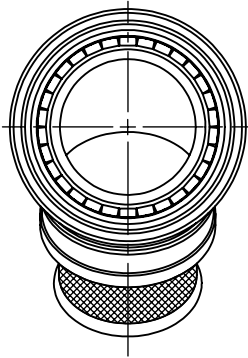


TABLE 1

| ACCESSORY SHELL SIZE | FOR CONNECTOR SHELL SIZE (REF) |                        |               |                          | THREAD         | A MAX DIA     | B DIA ±.010 ENTRY SIZE |               | C DIA REF     |               | D MAX        | E MAX        | G MAX. WITH C |               | H (REF) WITH C |               |
|----------------------|--------------------------------|------------------------|---------------|--------------------------|----------------|---------------|------------------------|---------------|---------------|---------------|--------------|--------------|---------------|---------------|----------------|---------------|
|                      | AS81703 SERIES 3               | MIL-DTL-26482 SERIES 2 | AS50151 CRIMP | MIL-DTL-83723 SERIES III |                |               | 02                     | 03            | 02            | 03            |              |              | 02            | 03            | 02             | 03            |
| 08                   | ---                            | 8                      | 8S            | 8                        | 1/2-20 UNEF    | .885 (22.48)  | N/A                    | .250 (6.35)   | N/A           | .395 (10.03)  | .87 (22.10)  | 1.16 (29.46) | N/A           | 1.830 (46.48) | N/A            | 2.135 (54.23) |
| 10                   | ---                            | 10                     | 10S, 10SL     | 10                       | 5/8-24 UNEF    | 1.010 (25.65) | N/A                    | .312 (7.92)   | N/A           | .457 (11.61)  | .89 (22.61)  | 1.18 (29.97) | N/A           | 1.886 (47.90) | N/A            | 2.191 (55.65) |
| 12                   | 7                              | 12                     | 12S AND 12    | 12                       | 3/4-20 UNEF    | 1.135 (28.83) | .312 (7.92)            | .438 (11.13)  | .457 (11.61)  | .583 (14.81)  | .92 (23.37)  | 1.20 (30.48) | 1.930 (49.02) | 1.975 (50.17) | 2.235 (56.77)  | 2.280 (57.91) |
| 14                   | 12                             | 14                     | 14S AND 14    | 14                       | 7/8-20 UNEF    | 1.260 (32.00) | .438 (11.13)           | .562 (14.27)  | .583 (14.81)  | .707 (17.96)  | .94 (23.88)  | 1.22 (30.99) | 2.009 (51.03) | 2.053 (52.15) | 2.314 (58.78)  | 2.358 (59.89) |
| 16                   | 19                             | 16                     | 16S AND 16    | 16                       | 1-20 UNEF      | 1.385 (35.18) | .500 (12.70)           | .625 (15.88)  | .645 (16.38)  | .770 (19.56)  | .94 (24.38)  | 1.25 (31.75) | 2.072 (52.63) | 2.116 (53.75) | 2.377 (60.38)  | 2.421 (61.49) |
| 18                   | 27                             | 18                     | 18            | 18                       | 1 1/16-18 UNEF | 1.510 (38.35) | .625 (15.88)           | .750 (19.05)  | .770 (19.56)  | .895 (22.73)  | .98 (24.89)  | 1.26 (32.00) | 2.143 (54.43) | 2.187 (55.55) | 2.448 (62.18)  | 2.492 (63.30) |
| 20                   | 37                             | 20                     | 20            | 20                       | 1 3/16-18 UNEF | 1.635 (41.53) | .625 (15.88)           | .812 (20.62)  | .770 (19.56)  | .957 (24.31)  | 1.00 (25.40) | 1.29 (32.77) | 2.184 (55.47) | 2.251 (57.18) | 2.489 (63.22)  | 2.556 (64.92) |
| 22                   | ---                            | 22                     | 22            | 22                       | 1 5/16-18 UNEF | 1.760 (44.70) | .688 (17.48)           | .938 (23.83)  | .829 (21.06)  | 1.083 (27.51) | 1.03 (26.16) | 1.31 (33.27) | 2.249 (57.12) | 2.339 (59.41) | 2.554 (64.87)  | 2.644 (67.16) |
| 24                   | ---                            | 24                     | 24            | 24                       | 1 7/16-18 UNEF | 1.885 (47.88) | .750 (19.05)           | 1.000 (25.40) | .895 (22.73)  | 1.145 (29.08) | 1.05 (26.67) | 1.34 (34.04) | 2.314 (58.78) | 2.402 (61.01) | 2.619 (66.52)  | 2.707 (68.76) |
| 28                   | ---                            | ---                    | 28            | ---                      | 1 3/4-18 UNS   | 2.135 (54.23) | .875 (22.23)           | 1.125 (28.58) | 1.020 (25.91) | 1.270 (32.26) | 1.10 (27.94) | 1.38 (35.05) | 2.594 (65.89) | 2.683 (68.15) | 3.061 (77.75)  | 3.150 (80.01) |

METRIC EQUIVALENTS ARE IN PARENTHESIS AND ARE GIVEN FOR GENERAL INFORMATION ONLY

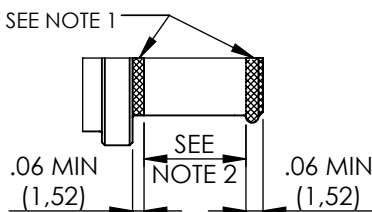
TABLE 2

| CODE | FINISH  |
|------|---|
| N    | ELECTROLESS NICKEL (96HRS SALT SPRAY RESISTANCE)                                    |
| W    | CADMIUM OLIVE DRAB OVER ELECTROLESS NICKEL (1000HRS SALT SPRAY RESISTANCE)          |
| Z    | ZINC NICKEL BLACK PASSIVATE OVER ELECTROLESS NICKEL (1000HRS SALT SPRAY RESISTANCE) |
| P    | CADMIUM OLIVE DRAB OVER ELECTROLESS NICKEL (SELECTIVE PLATING)                      |

NOTES FOR SELECTIVE PLATING: -

1. CADMIUM/NICKEL INTERFACE SHALL BE COATED WITH POLYSULFIDE SEALANT.
2. AREA FREE OF CADMIUM.

SELECTIVE PLATING



BASIC PART NUMBER \_\_\_\_\_  
 SPECIFICATION SHEET \_\_\_\_\_  
 CONFIGURATION \_\_\_\_\_  
 - (DASH) FOR SELF-LOCKING \_\_\_\_\_  
 CONNECTOR SHELL SIZE (TABLE 1) \_\_\_\_\_  
 FINISH (TABLE 2) \_\_\_\_\_  
 ENTRY SIZE (TABLE 1) \_\_\_\_\_

R85049/83-16W03

RELEASED FOR PUBLICATION

ALL RIGHTS RESERVED.

THIS DRAWING IS UNPUBLISHED.

© COPYRIGHT 20 BY

|  |                   |            |   |                           |                               |
|--|-------------------|------------|---|---------------------------|-------------------------------|
| DIMENSIONS:<br>INCHES                      | DWN: N.HAWKINS    | 05/06/2019 | MATERIAL: SEE P/N BREAKDOWN   | FINISH: SEE P/N BREAKDOWN |                               |
|  | CHK: R.STYLES     | 14/06/2019 | TE Connectivity   |                           |                               |
| TOLERANCES UNLESS OTHERWISE SPECIFIED:     | APVD: M.PAUL      | 27/06/2019 |   |                           | PART NUMBER: R85049/83 SERIES |
| GENERAL TOL<br>LINEAR ±.01"<br>ANGULAR ±1° | PRODUCT SPEC:     | -          | NAME: Connector Accessories, Electrical, Backshell, 45 Deg, Self-Locking, Shield Band Termination (RFI/EMI), Shrink Sleeve Accommodation, Category 3B |                           |                               |
|  | APPLICATION SPEC: | -          | SIZE: A4  | CAGE CODE: 06090          | DRAWING NO: C=P45757          |
|  | WEIGHT:           | -          | RESTRICTED TO   |                           |                               |
|  | CUSTOMER DRAWING  | SCALE: 1:1 |   | SHEET: 2 OF 2             | REV: CA                       |

# Mouser Electronics

Authorized Distributor

Click to View Pricing, Inventory, Delivery & Lifecycle Information:

[TE Connectivity:](#)

[R85049/83-22N03](#)