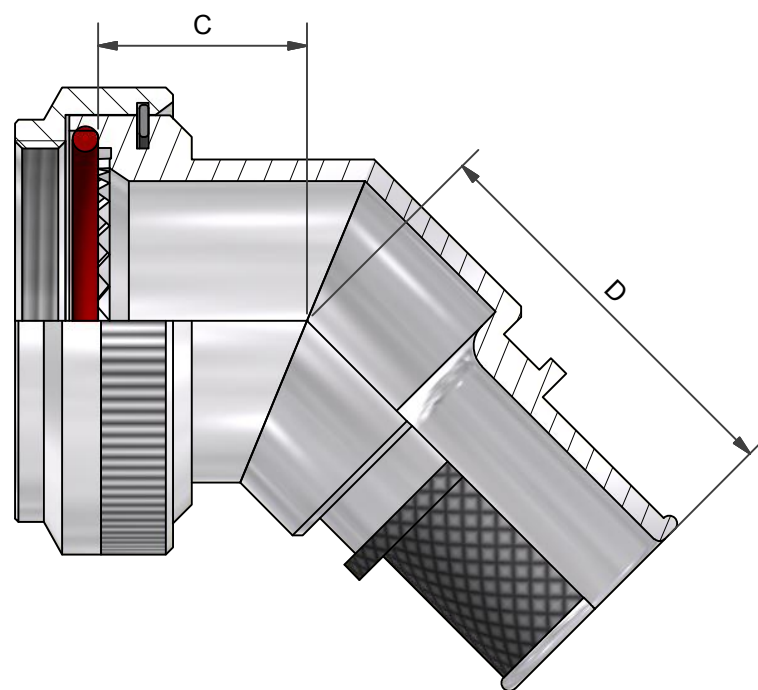
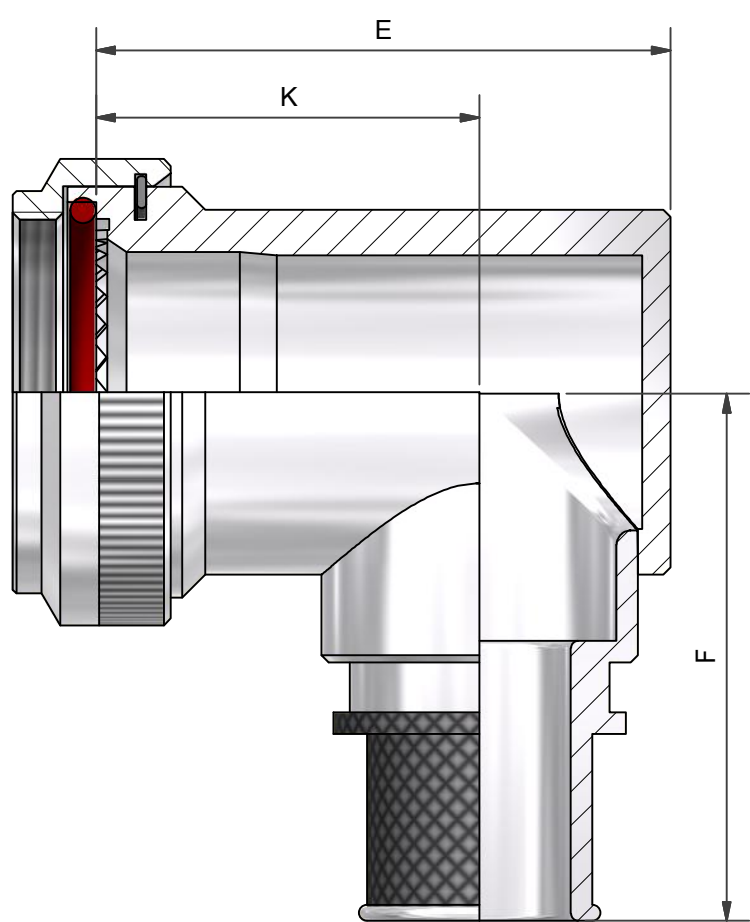


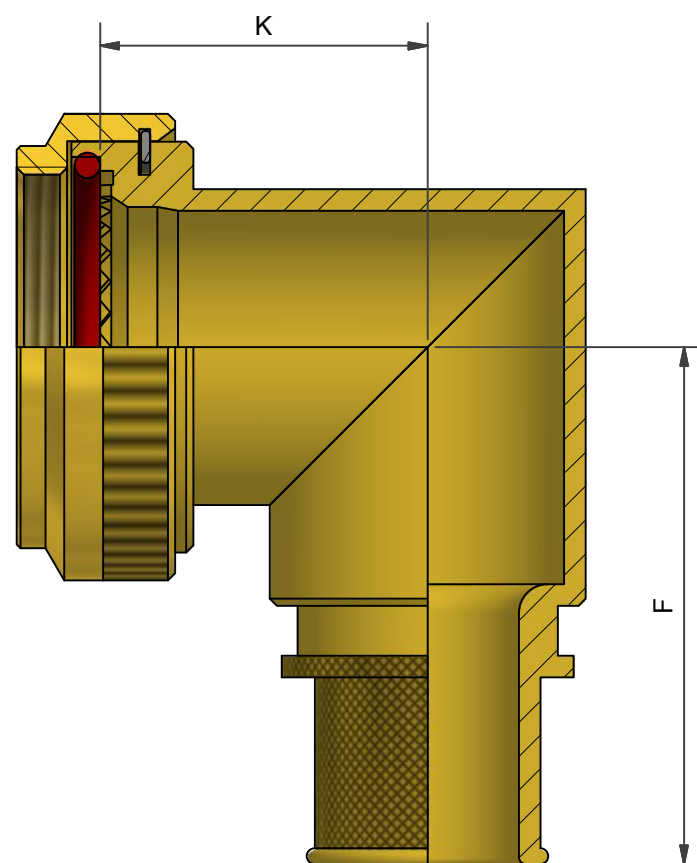
ANGLE 1



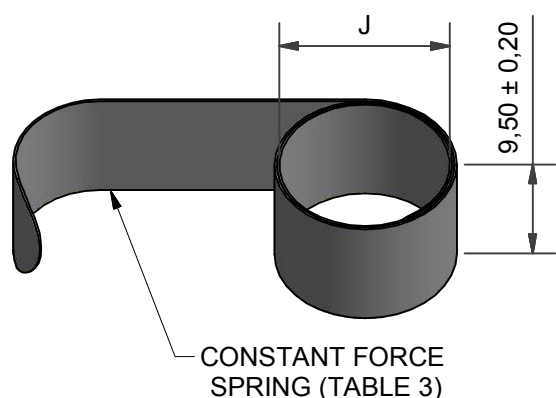
ANGLE 2

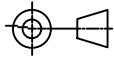


ANGLE 3  
90° BACKSHELL  
ALUMINIUM ALLOY



ANGLE 3  
90° BACKSHELL  
STAINLESS STEEL  
NICKEL ALUMINIUM BRONZE



DRAWN		DATE		 3RD ANGLE PROJECTION NOT TO SCALE UNLESS OTHERWISE SPECIFIED ALL DIMENSIONS IN MILLIMETRES GENERAL TOL LINEAR +/- 0,25MM ANGULAR +/- 1°		
K.K-W		19/09/2017				
DESIGN APPROVAL		DATE				
K.SHEPPARD		19/09/2017				
Customer Drawing		<b>MATERIAL</b>				
ISSUE	REV.	DCR	SEE PART NUMBER BREAKDOWN			
6	1	6624	<b>FINISH</b>			
NCAGE CODE U5792		WEIGHT N/A		SEE PART NUMBER BREAKDOWN		

PART NUMBER: 91H SERIES

TITLE: SPRING BACKSHELL

ASSY USED ON: MIL-DTL-38999 SERIES III & IV

THIS DRAWING IS COPYRIGHT AND THE PROPERTY OF POLAMCO LTD. IT MUST NOT BE COPIED, USED FOR MANUFACTURE OR OTHERWISE DISCLOSED WITHOUT PRIOR WRITTEN CONSENT OF THE COMPANY.

POLAMCO LTD, WESTON LOCK,  
LOWER BRISTOL ROAD  
BATH BA2 1EP

SHT  
1



THESE DIMENSIONS APPLY IF BACKSHELL IS STAINLESS STEEL OR NICKEL ALUMINIUM BRONZE

TABLE 1

SHELL SIZE	A THREAD	ØB MAX	ØT MIN	C MAX	D MAX	E MAX	F MAX	K ±0,5	F MAX	K ±1,0
09	M12 x 1.0	18,0	6,7	13,1	25,7	25,7	30,5	17,5	32,9	15,9
11	M15 x 1.0	21,0	10,2	13,9	26,9	26,7	32,2	17,5	34,1	17,3
13	M18 x 1.0	24,5	13,5	14,5	27,3	31,2	33,7	20,0	35,3	19,1
15	M22 x 1.0	29,0	16,2	15,5	28,2	37,2	35,2	24,5	37,1	21,2
17	M25 x 1.0	32,5	19,4	16,1	29,0	40,2	36,9	26,7	39,0	22,8
19	M28 x 1.0	35,5	21,8	16,8	29,3	44,7	38,5	27,0	40,8	24,9
21	M31 x 1.0	37,0	25,1	17,1	30,1	49,2	40,1	30,5	42,5	25,6
23	M34 x 1.0	40,0	28,2	17,7	30,5	51,7	41,6	31,5	43,9	27,1
25	M37 x 1.0	43,5	31,4	18,4	31,4	53,2	43,1	28,5	45,3	28,6

TABLE 2

ENTRY SIZE	ØG MIN	ØH MAX	SPRING REF
03	4,7	13,9	HE050
04	6,3	13,9	HE050
05	7,9	15,5	HE100
06	9,5	17,2	HE100
07	11,1	18,7	HE100
08	12,7	20,3	HE200
09	14,2	21,9	HE200
10	15,8	23,5	HE200
11	17,4	25,1	HE200
12	19,0	26,7	HE300
13	20,6	28,3	HE300
14	22,2	29,9	HE300
15	23,8	31,5	HE300
16	25,4	33,1	HE300
17	27,0	34,7	HE400
18	28,6	36,3	HE400
19	30,2	37,9	HE400
20	31,8	39,5	HE400
21	33,3	41,1	HE400
22	35,0	42,7	HE400
23	36,5	44,3	HE400
24	38,1	45,9	HE400

TABLE 3

SPRING REF	J MAX (UNCONSTRAINED)
HE 050	7,5
HE 100	9,1
HE 200	12,8
HE 300	17,9
HE 400	21,8

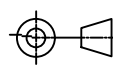


TABLE 4

CODE	MATERIAL / FINISH
1-C	ALUMINIUM / ELECTROLESS NICKEL
1-B	ALUMINIUM / CADMIUM OLIVE DRAB OVER ELECTROLESS NICKEL
1-ZB	ALUMINIUM / ZINC COBALT OLIVE DRAB OVER ELECTROLESS NICKEL
1-ZK	ALUMINIUM / ZINC COBALT BLACK OVER ELECTROLESS NICKEL
1-ZN	ALUMINIUM / ZINC NICKEL BLACK PASSIVATE OVER ELECTROLESS NICKEL
4-J	STAINLESS STEEL 300 SERIES / PASSIVATE
46-J	STAINLESS STEEL 316 / PASSIVATE
2-Z	NICKEL ALUMINIUM BRONZE / SHOT BLAST

SEE SS0076 FOR FULL RANGE OF FINISH OPTIONS  
NOTE: VITON O-RING SUPPLIED WITH STAINLESS BACKSHELL

91H1-17-08-1-C-HE200

SERIES \_\_\_\_\_  
CONNECTOR INTERFACE \_\_\_\_\_  
ANGLE \_\_\_\_\_  
SHELL SIZE (TABLE 1) \_\_\_\_\_  
ENTRY SIZE (TABLE 2) \_\_\_\_\_  
MATERIAL AND FINISH (TABLE 4) \_\_\_\_\_  
SPRING REF (TABLE 3) \_\_\_\_\_  
OMIT IF NO SPRING REQUIRED

DRAWN K.K-W		DATE 19/09/2017		 3RD ANGLE PROJECTION NOT TO SCALE	PART NUMBER: <b>91H SERIES</b>			 <b>Polamco</b>		
DESIGN APPROVAL K.SHEPPARD		DATE 19/09/2017			TITLE: <b>SPRING BACKSHELL</b>					
DOC TYPE 6	REV. 1	DCR <b>6624</b>		UNLESS OTHERWISE SPECIFIED ALL DIMENSIONS IN MILLIMETRES GENERAL TOL LINEAR +/-0,25MM ANGULAR +/- 1°	ASSY USED ON: MIL-DTL-38999 SERIES III & IV			 <b>TE</b> connectivity		
NCAGE CODE U5792		WEIGHT N/A			THIS DRAWING IS COPYRIGHT AND THE PROPERTY OF POLAMCO LTD IT MUST NOT BE COPIED, USED FOR MANUFACTURE OR OTHERWISE DISCLOSED WITHOUT PRIOR WRITTEN CONSENT OF THE COMPANY.				POLAMCO LTD, WESTON LOCK, LOWER BRISTOL ROAD BATH BA2 1EP	
									SHT <b>2</b>	
							<b>DRAWING NO: P10743</b>			

# Mouser Electronics

Authorized Distributor

Click to View Pricing, Inventory, Delivery & Lifecycle Information:

[TE Connectivity:](#)

[91H3-11-06-1-ZN-HE100](#)