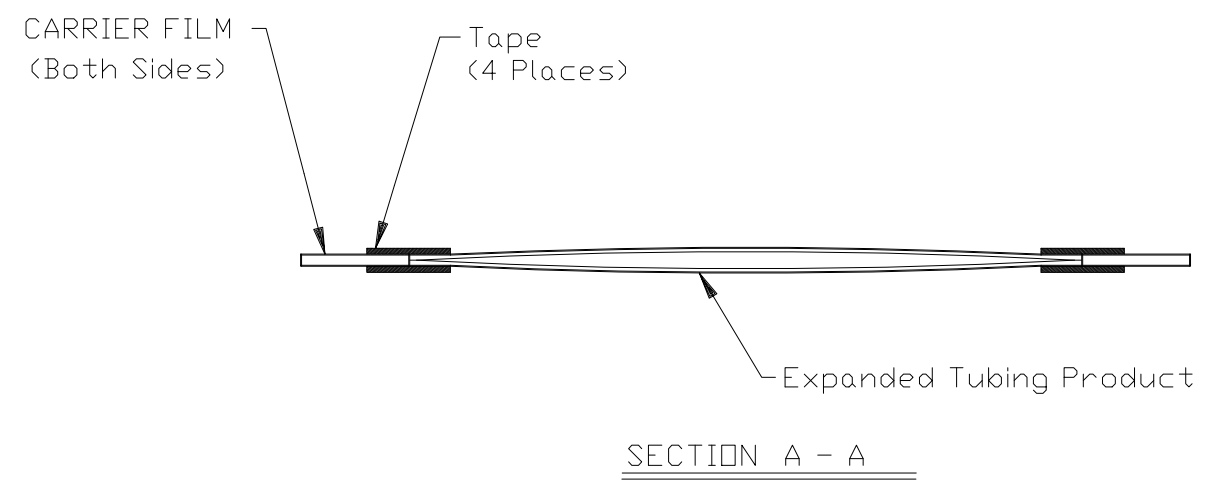
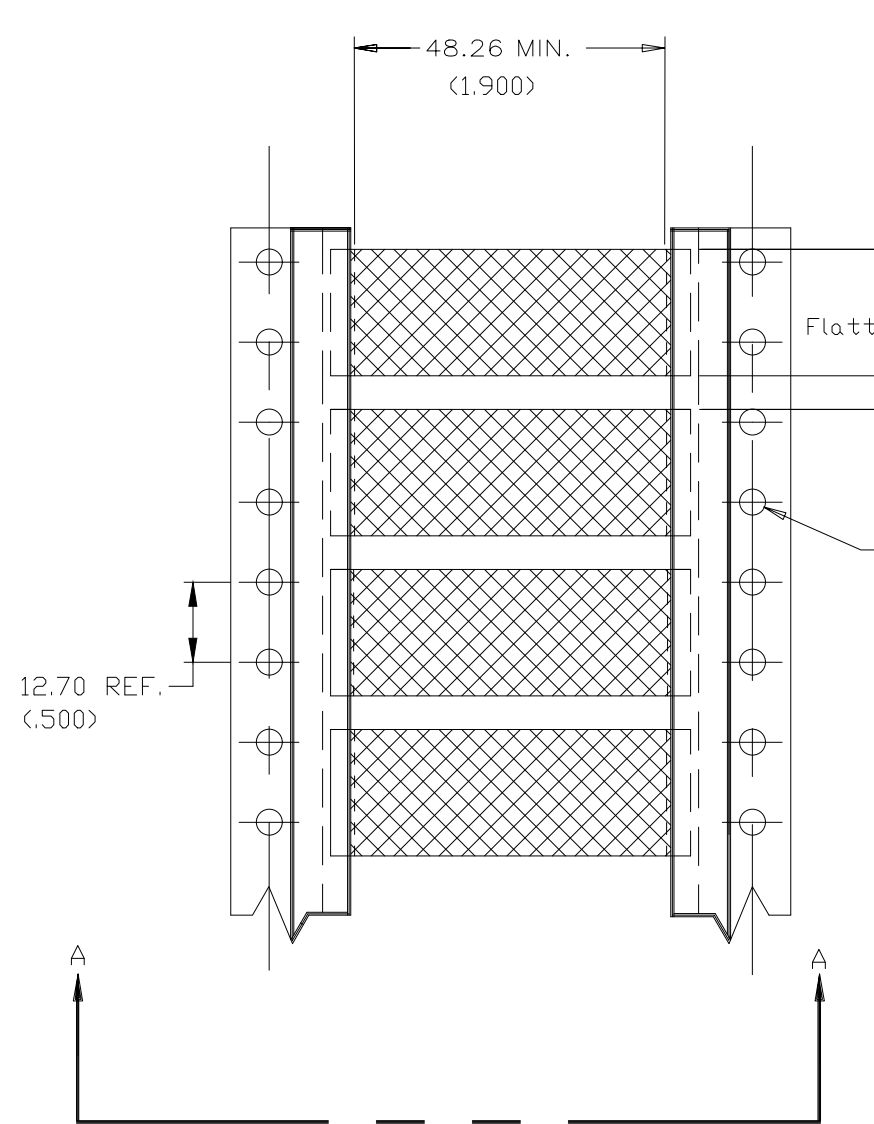
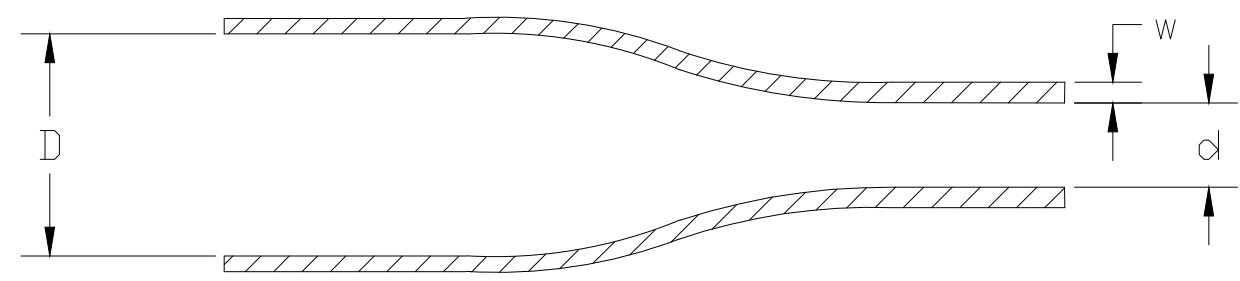


REVISIONS					
P	LTR	DESCRIPTION	DATE	DWN	APVD
2		INITIAL CUSTOMER DRAWING	30MAR2020	AFK	LS



Product Size	2.4	3.2	4.8	6.4	9.5	12.7	19.0	25.4	38.1
Minimum Sleeve Flattened Width	4.90 (.194)	6.50 (.256)	8.9 (.350)	11.0 (.433)	15.7 (.618)	20.7 (.815)	30.7 (1.209)	41.1 (1.618)	61.0 (2.402)
Nominal Sleeve Progression	12.70 (.500)	12.70 (.500)	12.70 (.500)	16.94 (.667)	25.40 (1.000)	29.64 (1.167)	42.34 (1.667)	50.80 (2.00)	72.0 (2.835)
"D" Minimum Supplied I.D.	2.40 (.094)	3.20 (.125)	4.80 (.189)	6.35 (.250)	9.50 (.375)	12.7 (.500)	19.0 (.750)	25.4 (1.00)	38.1 (1.50)
"d" Maximum Recovered I.D.	1.19 (.047)	1.60 (.063)	2.40 (.094)	3.20 (.126)	4.80 (.189)	6.40 (.250)	9.50 (.375)	12.7 (.500)	19.1 (.750)
"w" Recovered wall	0.50±0.10 (.020±.004)	0.50±0.10 (.020±.004)	0.51±0.11 (.020±.004)	0.65±0.15 (.026±.006)	0.65±0.15 (.026±.006)	0.65±0.15 (.026±.006)	0.75±0.15 (.030±.006)	0.90±0.15 (.035±.006)	1.00±0.20 (.039±.008)

DIMENSIONS IN mm (inches)



THIS DRAWING IS A CONTROLLED DOCUMENT.		DWN AFK CHK -	21FEB2020	TE Connectivity				
DIMENSIONS: mm	TOLERANCES UNLESS OTHERWISE SPECIFIED:	APVD LS	30MAR2020			NAME ZHD-SCE		
	0 PLC ± -	PRODUCT SPEC RW-2536		SIZE	CAGE CODE	DRAWING NO	RESTRICTED TO	
	1 PLC ± -	APPLICATION SPEC		VARIOUS	A30198G	C-MCD160011	-	
MATERIAL CROSSLINKED POLYOLEFIN	FINISH -	WEIGHT		CUSTOMER DRAWING		SCALE -	SHEET 1 OF 1	REV 2

Mouser Electronics

Authorized Distributor

Click to View Pricing, Inventory, Delivery & Lifecycle Information:

[TE Connectivity:](#)

[EC9832-000](#)