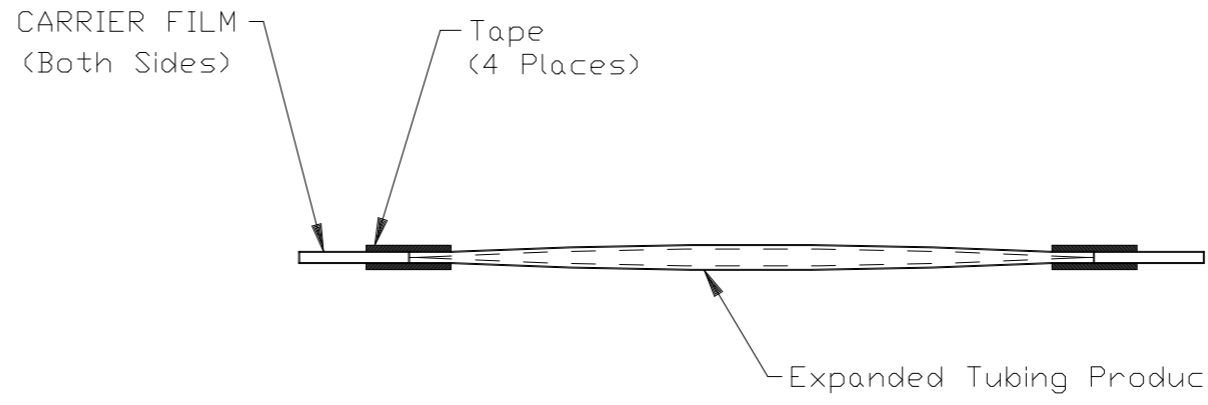
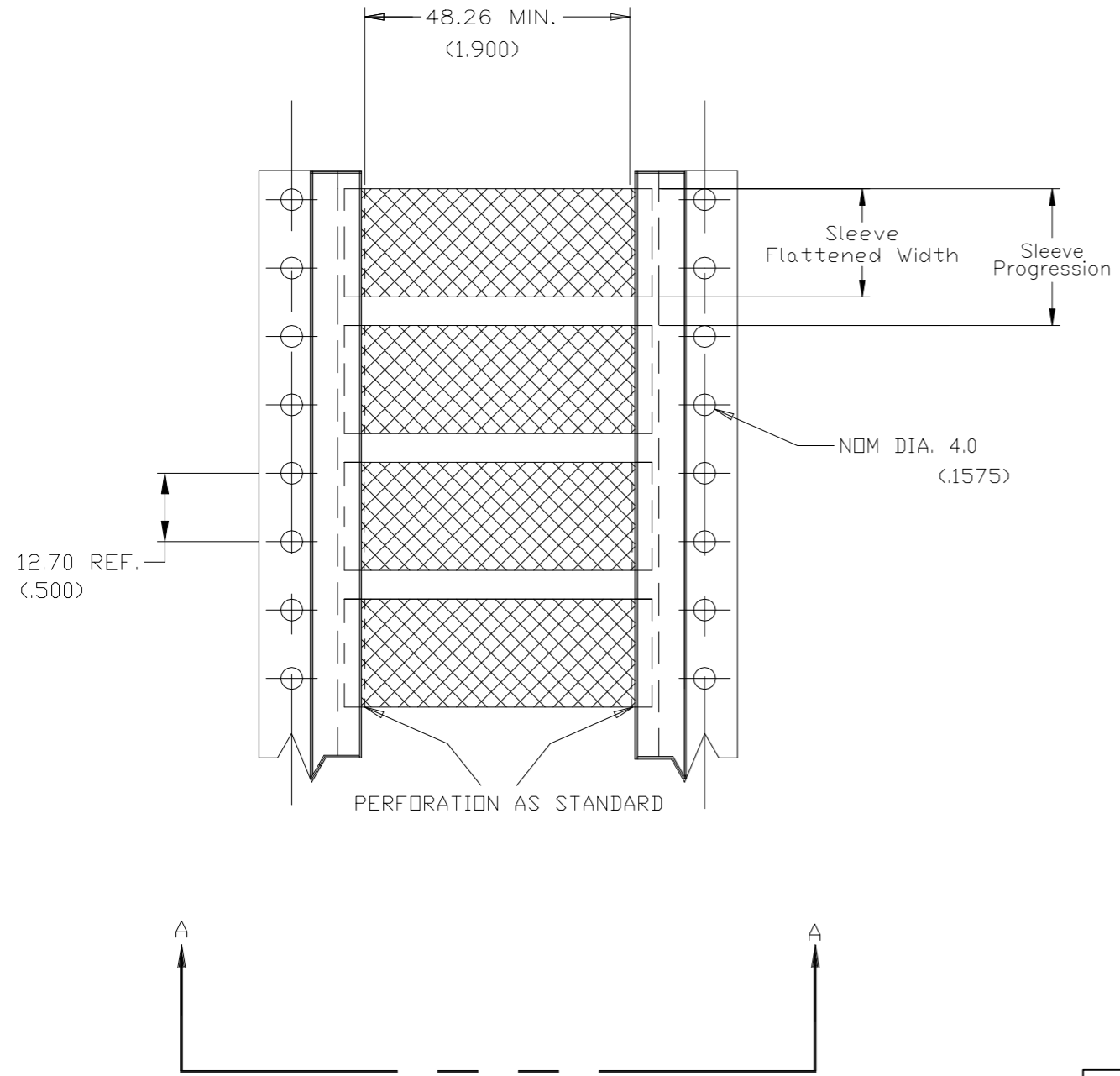


REVISIONS					
P	LTR	DESCRIPTION	DATE	DWN	APVD
J1		UPDATE FLAT WIDTH ECR-21-106386	05JUL2021	AFK	LS

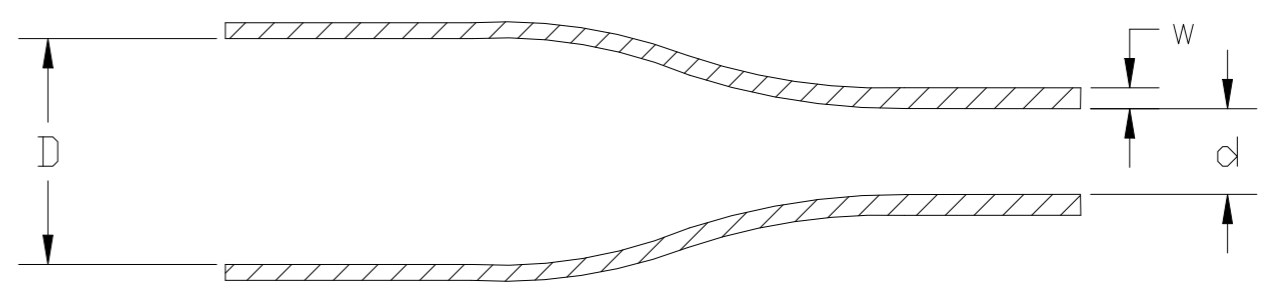


SECTION A - A



Product Size	2.4	3.2	4.8	6.4	9.5	12	18	25	38
Minimum Sleeve Flattened Width	4.45 (.175)	5.84 (.230)	8.00 (.315)	10.67 (.420)	15.49 (.610)	20.45 (.805)	30.48 (1.200)	40.39 (1.590)	60.33 (2.375)
Nominal Sleeve Progression	12.70 (.500)	12.70 (.500)	12.70 (.500)	16.94 (.667)	25.40 (1.000)	29.64 (1.167)	42.34 (1.667)	50.80 (2.00)	71.96 (2.83)
"D" Minimum Supplied I.D.	2.39 (.094)	3.18 (.125)	4.75 (.187)	6.40 (.250)	9.53 (.375)	12.70 (.500)	19.05 (.750)	25.40 (1.00)	38.10 (1.50)
"d" Maximum Recovered I.D.	0.79 (.031)	1.07 (.042)	1.57 (.062)	2.11 (.083)	3.17 (.125)	4.22 (.166)	6.35 (.250)	8.46 (.333)	19.05 (.750)
"w" Recovered wall ±0.08 (.003)	0.51 (.023)	0.51 (.023)	0.58 (.023)	0.58 (.023)	0.61 (.024)	0.61 (.024)	0.61 (.024)	0.64 (.025)	0.64 (.025)

DIMENSIONS IN mm (inches)



THIS DRAWING IS A CONTROLLED DOCUMENT.		DWN AFK 08JAN2020	TE Connectivity		
DIMENSIONS: mm		CHK -			
TOLERANCES UNLESS OTHERWISE SPECIFIED:		APVD LS 20JAN2020	PRODUCT SPEC RW-2519		
0 PLC ± - 1 PLC ± - 2 PLC ± - 3 PLC ± - 4 PLC ± - ANGLES ± -		APPLICATION SPEC 411-121008	SIZE A3	CAGE CODE 0198G	DRAWING NO C-MCD160000
MATERIAL CROSSLINKED POLYOLIFIN		FINISH -	WEIGHT VARIOUS	RESTRICTED TO -	
CUSTOMER DRAWING			SCALE NTS	SHEET 1 OF 1	REV J1

Mouser Electronics

Authorized Distributor

Click to View Pricing, Inventory, Delivery & Lifecycle Information:

[TE Connectivity:](#)

[EC1903-000](#)