

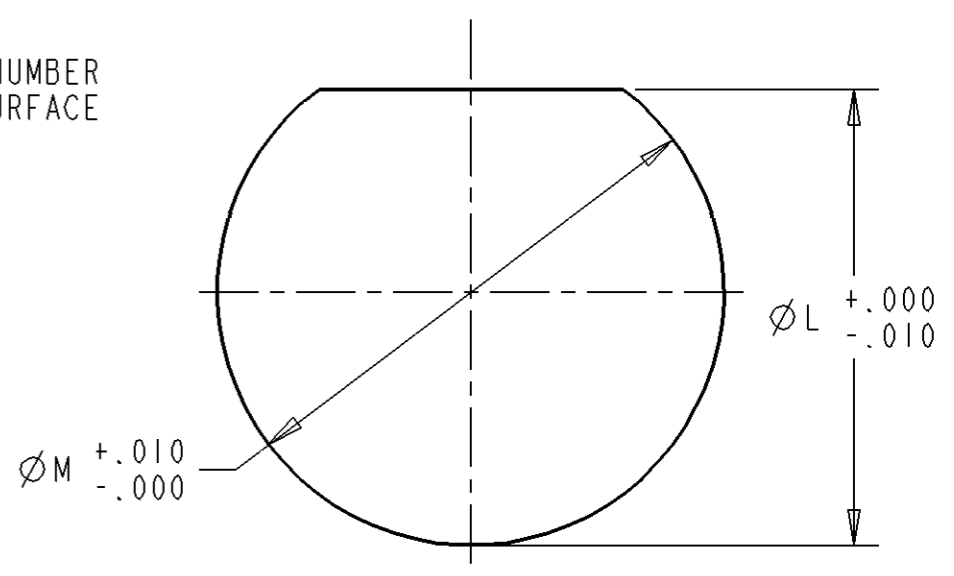
PROPERTY OF DEUTSCH D.A.O.
 THIS DRAWING CONTAINS PROPRIETARY INFORMATION THAT SHALL NOT BE DISCLOSED, DUPLICATED,
 NOR USED IN WHOLE OR IN PART FOR ANY PURPOSE OTHER THAN TO EVALUATE THIS DRAWING.

A DTS24****-****

| REVISIONS | | | |
|-----------|---------------------------|---------|----------|
| REV | DESCRIPTIONS | DATE | APPROVED |
| N/C | NEW RELEASE PER E.O.H4540 | 4/14/09 | M.A. |
| A | REVISED PER E.O.H4608 | 100504 | M.A. |



STUB 60° MOD.
 TRIPLE START THREAD
 "E"-.1P-.3L CLASS 2A
 (SEE COLUMN "E THREAD")



RECOMMENDED PANEL CUT OUT

| SHELL SIZE | L | M |
|------------|-------|-------|
| 9 | .670 | .700 |
| 11 | .771 | .825 |
| 13 | .955 | 1.010 |
| 15 | 1.085 | 1.135 |
| 17 | 1.210 | 1.260 |
| 19 | 1.335 | 1.385 |
| 21 | 1.460 | 1.510 |
| 23 | 1.585 | 1.635 |
| 25 | 1.710 | 1.760 |

PART NUMBER BREAKDOWN: DTS 24 Y 17-35 P N



- DIMENSIONS ARE IN INCHES UNLESS OTHERWISE NOTED.
 - INSERT ARRANGEMENT CONFORMS TO MIL-STD-1560.
 - LEAK RATE THROUGH GLASS INSERT: <1E-8 cc/sec He @ 1 atm.
 - FINISH: SHELL - ELECTRO-POLISH
PIN CONTACTS - GOLD OVER NICKEL
 - MATERIAL: SHELL & JAM NUT - STAINLESS STEEL
PIN CONTACTS - HIGH NICKEL IRON ALLOY OR EQUIVALENT
GLASS - COMPRESSION GLASS
INTERFACIAL SEAL & O-RING- FLUOROSILICONE ELASTOMER
 - MATES WITH DTS26 SERIES PLUG CONNECTOR.
 - CONNECTOR MEETS REQUIREMENTS OF MIL-DTL-38999 SERIES III.
 - CONSULT CUSTOMER SERVICE FOR ARRANGEMENT AVAILABILITY.
- NOTE(S):

| SHELL SIZE | A | B | C | D | E THREAD | F THREAD | G | H | J | K PIN SOC | N | |
|------------|-------|-------|-------|-------|-------------|-------------|-------|------|------|--------------|------|-------|
| 9 | 1.063 | .651 | 1.150 | .642 | .6250 | M17 | 1.189 | .358 | .102 | .209 | .232 | .875 |
| 11 | 1.252 | .751 | 1.150 | .764 | .7500 | M20 | 1.374 | .358 | .102 | .209 | .232 | 1.000 |
| 13 | 1.374 | .938 | 1.150 | .894 | .8750 | M25 | 1.500 | .358 | .102 | .201 | .224 | 1.188 |
| 15 | 1.500 | 1.062 | 1.150 | 1.020 | 1.0000 | M28 | 1.626 | .358 | .102 | .201 | .224 | 1.375 |
| 17 | 1.626 | 1.187 | 1.150 | 1.142 | 1.1875 | M32 | 1.752 | .358 | .102 | .201 | .224 | 1.437 |
| 19 | 1.811 | 1.312 | 1.185 | 1.268 | 1.2500 | M35 | 1.937 | .382 | .134 | .201 | .224 | 1.563 |
| 21 | 1.937 | 1.437 | 1.185 | 1.394 | 1.3750 | M38 | 2.063 | .382 | .134 | .201 | .224 | 1.750 |
| 23 | 2.063 | 1.562 | 1.185 | 1.520 | 1.5000 | M41 | 2.189 | .382 | .134 | .201 | .224 | 1.875 |
| 25 | 2.189 | 1.687 | 1.185 | 1.642 | 1.6250 | M44 | 2.311 | .382 | .134 | .201 | .224 | 2.000 |

\$ SIZE 17, MODIFIED MAJOR Ø 31.95-31.80 mm FILE:DTS24XXX-XXPX-ENV-SNAP

| | |
|------------------|-------------------|
| SIGNATURE & DATE | |
| DR | S.LUI 4/8/09 |
| CHK | M.ALLEN 4/14/09 |
| PE | |
| APPD | A.RENGIFO 4/16/09 |
| SCALE: | |

CONNECTOR, RECEPTACLE
 HERMETIC
 JAM-NUT MOUNT
 THREAD COUPLING
 MIL-DTL-38999/23
 ENVELOPE

NBO MATL CODE 72
DEUTSCH
 ENGINEERED INTERCONNECT SOLUTIONS
 250 Eddie Jones Way
 Oceanside, CA 92058
C DTS24****-****
 DWG SIZE CAGE CODE 11139 SHEET 1 OF 1

Mouser Electronics

Authorized Distributor

Click to View Pricing, Inventory, Delivery & Lifecycle Information:

[TE Connectivity:](#)

[YDTS24T11-02JDV001](#)