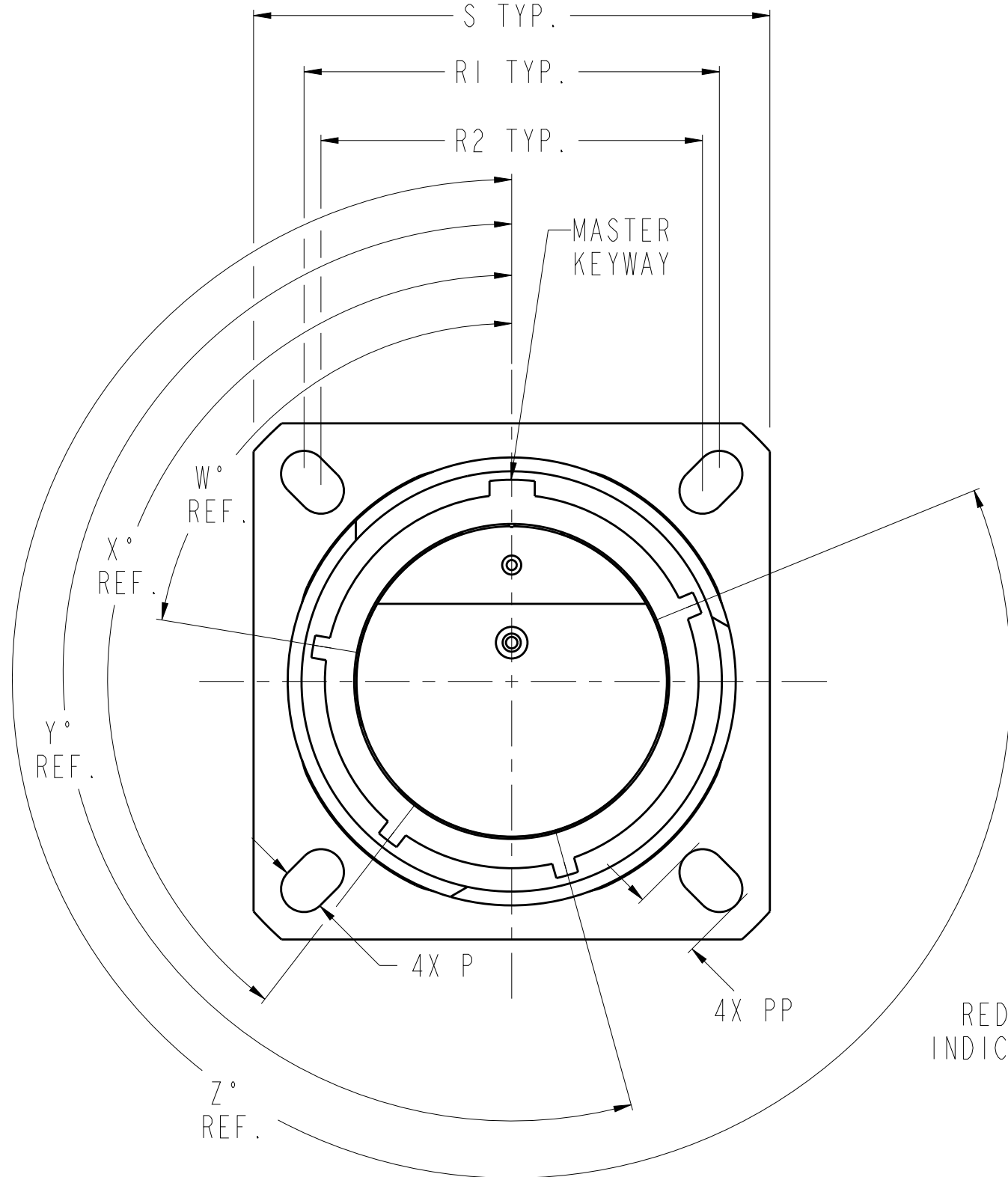


THIS DRAWING IS UNPUBLISHED. RELEASED FOR PUBLICATION 20
 © COPYRIGHT 20 BY - ALL RIGHTS RESERVED.

T.E. PROPRIETARY AND CONFIDENTIAL
 This drawing contains proprietary information that shall not be disclosed, duplicated nor used in whole or in part for any purpose other than to evaluate this drawing.

| LOC | | DIST | | REVISIONS | | | |
|-----|-----|---------------------------|--------|-----------|------|--|--|
| P | LTR | DESCRIPTION | DATE | DWN | APVD | | |
| A | | REVISED PER E.O. C8206 | 110510 | - | RB | | |
| B | | UPDATED PER ECO-14-008850 | 140611 | CB | EA | | |
| C | | UPDATED PER ECO-16-000868 | 160126 | MJ | EA | | |



EXAMPLE OF PART NUMBER



5. FOR AVAILABILITY CONSULT FACTORY. (C1)
4. FOR APPLICABLE KEYING DIAGRAM AND PANEL CUTOUT DIMENSIONS, SEE MIL-DTL-38999. FOR AVAILABLE INSERT ARRANGEMENTS, SEE MIL-STD-1560.
3. GENERAL SPECIFICATIONS: THIS CONNECTOR MEETS THE PERFORMANCE AND INTERMATEABILITY REQUIREMENTS OF MIL-DTL-38999, SERIES III.
2. MATERIAL / FINISH: SHELL - ALUMINUM ALLOY / PLATING PER EXAMPLE PART NUMBER DESCRIPTION.
 RESILIENT INSERTS - SILICONE ELASTOMER
 PLASTIC INSERTS - THERMOPLASTIC.
 CONTACTS - COPPER ALLOY / GOLD PLATED.
1. ALL DIMENSIONS ARE IN INCHES UNLESS OTHERWISE SPECIFIED. THREAD CALLOUTS ARE METRIC.

NOTES:

| SIZE | KEYING DESIGNATION LETTER | W° | X° | Y° | Z° |
|-----------------------|---------------------------|-----|-----|-----|-----|
| 9 | N | 105 | 140 | 215 | 265 |
| | A | 102 | 132 | 248 | 320 |
| | B | 80 | 118 | 230 | 312 |
| | C | 35 | 140 | 205 | 275 |
| | D | 64 | 155 | 234 | 304 |
| 11, 13 AND 15 | N | 95 | 141 | 208 | 236 |
| | A | 113 | 156 | 182 | 292 |
| | B | 90 | 145 | 195 | 252 |
| | C | 53 | 156 | 220 | 255 |
| | D | 119 | 146 | 176 | 298 |
| 17, 19, 21, 23 AND 25 | N | 80 | 142 | 196 | 293 |
| | A | 135 | 170 | 200 | 310 |
| | B | 49 | 169 | 200 | 244 |
| | C | 66 | 140 | 200 | 257 |
| | D | 62 | 145 | 180 | 280 |
| E | 79 | 153 | 197 | 272 | |

| PART NUMBER | SIZE | D THREAD | P+.004 -.002 | PP+.004 -.002 | R1 | R2 | S±.011 | V MAX. | W MAX. |
|-----------------|------|-------------------|-----------------|------------------|-------|-------|--------|-----------|-----------|
| DTS20x09-xxP/Sx | 09 | M12X1.0-6g 0.100R | .128 | .216 | .719 | .594 | .937 | .822 | .098 |
| DTS20x11-xxP/Sx | 11 | M15X1.0-6g 0.100R | .128 | .194 | .812 | .719 | 1.031 | .822 | .098 |
| DTS20x13-xxP/Sx | 13 | M18X1.0-6g 0.100R | .128 | .194 | .906 | .812 | 1.126 | .822 | .098 |
| DTS20x15-xxP/Sx | 15 | M22X1.0-6g 0.100R | .128 | .173 | .969 | .906 | 1.220 | .822 | .098 |
| DTS20x17-xxP/Sx | 17 | M25X1.0-6g 0.100R | .128 | .194 | 1.062 | .969 | 1.311 | .822 | .098 |
| DTS20x19-xxP/Sx | 19 | M28X1.0-6g 0.100R | .128 | .194 | 1.156 | 1.062 | 1.437 | .822 | .098 |
| DTS20x21-xxP/Sx | 21 | M31X1.0-6g 0.100R | .128 | .194 | 1.250 | 1.156 | 1.563 | .791 | .126 |
| DTS20x23-xxP/Sx | 23 | M34X1.0-6g 0.100R | .154 | .242 | 1.375 | 1.250 | 1.689 | .791 | .126 |
| DTS20x25-xxP/Sx | 25 | M37X1.0-6g 0.100R | .154 | .242 | 1.500 | 1.375 | 1.811 | .791 | .126 |

THIS DRAWING IS A CONTROLLED DOCUMENT.

DWN: EHAB ALAWNEH 070410
 CHK: JAMES FRIEDHOF 070523
 APVD: ALEX RENGLEO 110511

STE TE Connectivity

NAME: DTS SQUARE FLANGE ENVELOPE

PRODUCT SPEC: -
 APPLICATION SPEC: -
 WEIGHT: -

MATERIAL: SEE NOTE 2
 FINISH: SEE NOTE 2

SIZE: A2
 CAGE CODE: -
 DRAWING NO: C-DTS20xxx-xxP/Sx
 RESTRICTED TO: -

SCALE: 2.500 SHEET 1 OF 1 REV C

Mouser Electronics

Authorized Distributor

Click to View Pricing, Inventory, Delivery & Lifecycle Information:

[TE Connectivity:](#)

[YDTS20T11-02BNV001](#)