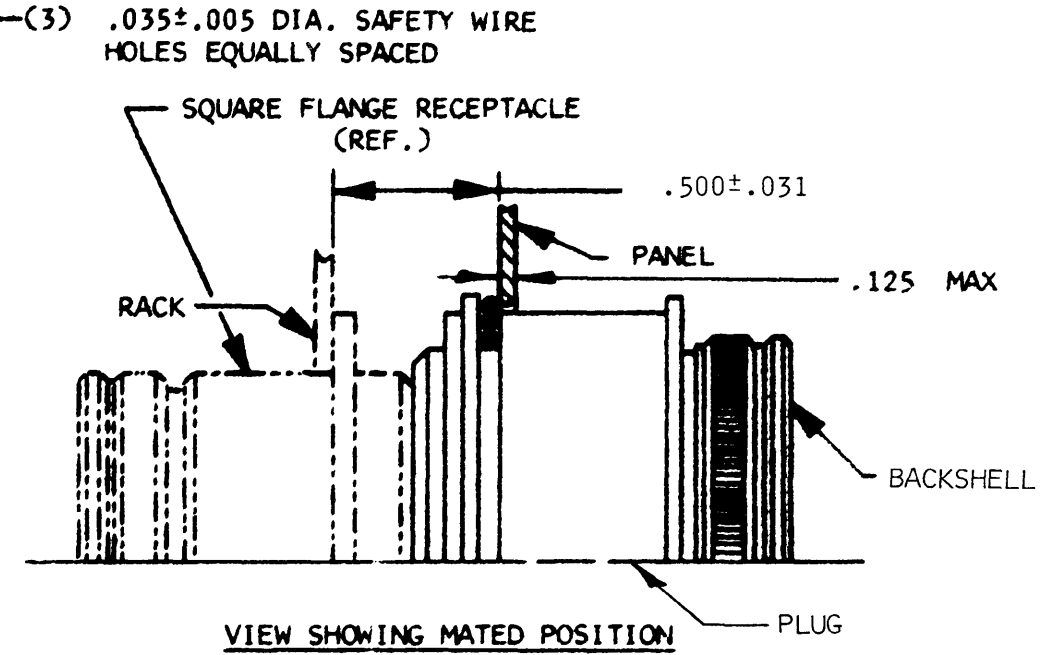
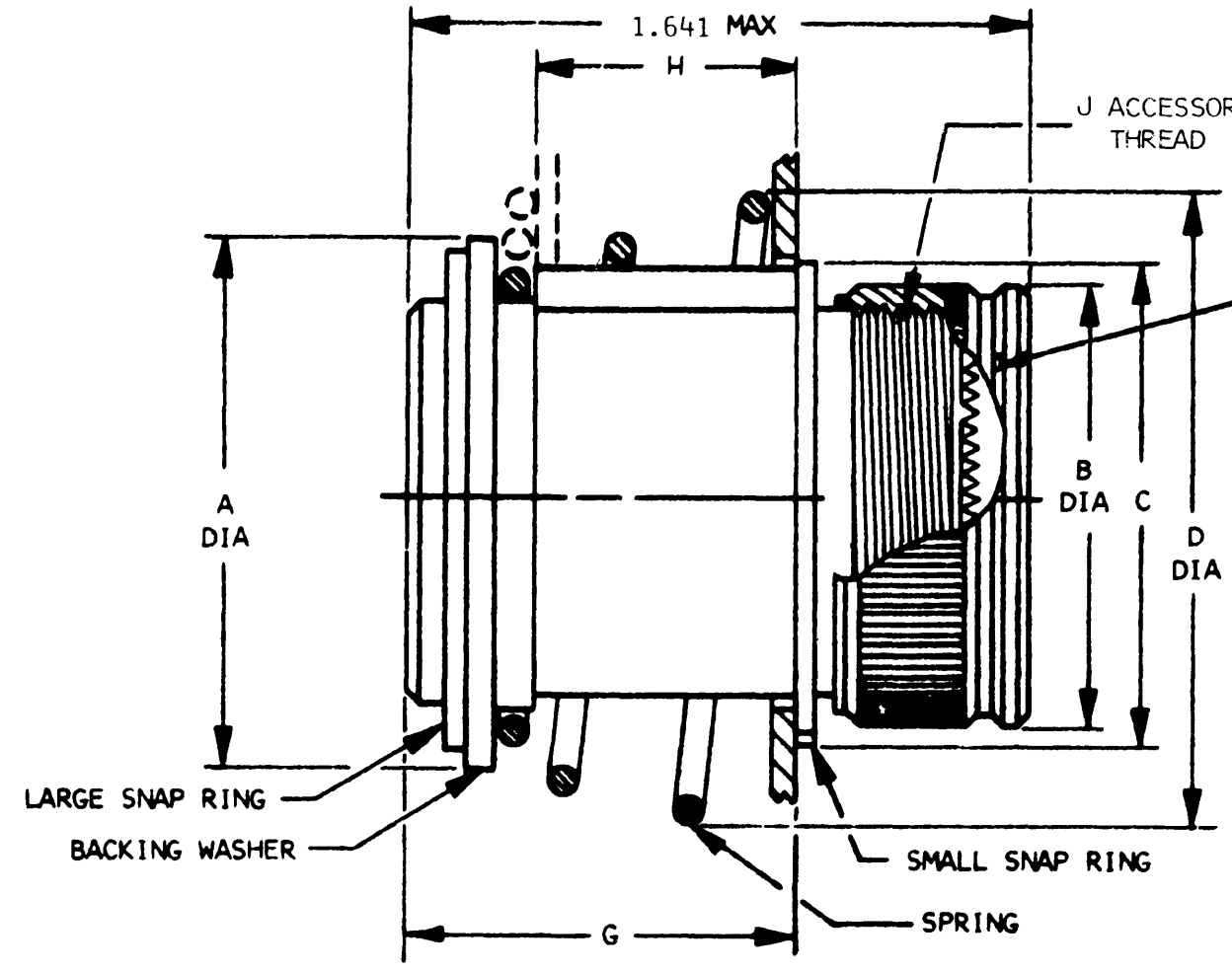
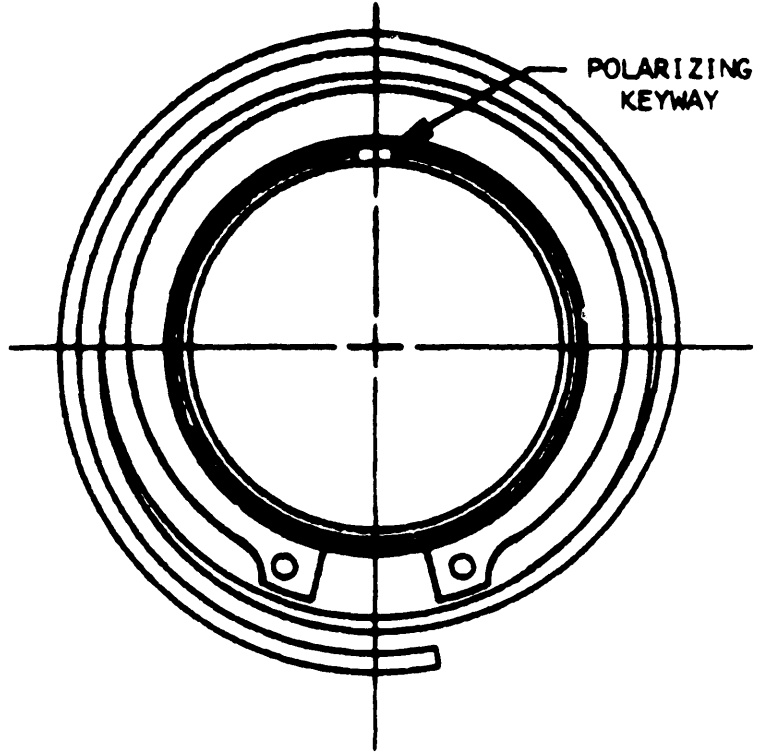
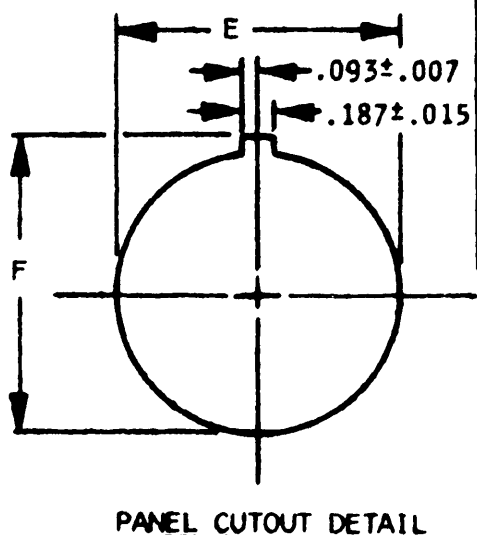


DBAS79G**--P/S**

REVISIONS			
SYM	DESCRIPTION	DATE	APPROVED
N/C	NEW RELEASE PER E.O. 80756	9-9-75	<i>A</i>



5. PANEL CUTOUT TO BE BURR FREE.
4. CONNECTOR FINISH: NICKEL PLATE
3. FOR ACCESSORIES OTHER THAN STANDARD BACKSHELL CONSULT FACTORY.
2. CONSULT FACTORY FOR ELECTRICAL AND MATERIAL SPECIFICATIONS.
1. FOR AVAILABLE CONTACT ARRANGEMENTS AND ALTERNATE INSERT POSITIONS, CONSULT FACTORY.



PART NUMBERS	A ±.015	B MAX	C MAX	D MAX	E ±.015	F ±.015	G ±.015	H±.031	J THREAD
DBAS79G3--P/S**	.875	.682	.760	1.218	.671	.843	.823	.500	9/16-24 UNEF
DBAS79G7--P/S**	1.156	.858	.961	1.348	.812	.984	.815	.500	3/4-20 UNEF
DBAS79G12--P/S**	1.250	.984	1.095	1.562	.953	1.109	.815	.500	7/8-20 UNEF
DBAS79G19--P/S**	1.375	1.112	1.260	1.703	1.062	1.234	.815	.500	1-20 UNEF
DBAS79G27--P/S**	1.515	1.218	1.406	1.853	1.203	1.375	.803	.500	1 1/16-18 UNEF
DBAS79G37--P/S**	1.796	1.345	1.597	2.104	1.375	1.531	.803	.500	1 3/16-18 UNEF
DBAS79G61--P/S**	2.140	1.653	1.984	2.833	1.687	1.859	.791	.440	1 1/2-18 UNEF

NOTES:

SIGNATURE & DATE	
DR	<i>B. Paine</i> 10-24-75
CHK	<i>N. Andrews</i> 11-21-75
PE	
APPD	
SCALE	NONE
WT	

PLUG
RACK & PANEL
WITH GROUNDING FINGERS
DBAS CONNECTOR

(ENVELOPE)

CP

MATL CODE

The Deutsch Company
ELECTRONIC COMPONENTS DIVISION
Municipal Airport
Banning, California

B

DBAS79G**--P/S**

DWG SIZE

CODE 11139

SHEET 1 OF 1

Mouser Electronics

Authorized Distributor

Click to View Pricing, Inventory, Delivery & Lifecycle Information:

[TE Connectivity:](#)

[DBAS 79G 12-0 PN](#)