

THIS DRAWING IS UNPUBLISHED. RELEASED FOR PUBLICATION
 © COPYRIGHT - TE Connectivity Ltd. ALL RIGHTS RESERVED.

REVISIONS				
P	LTR	DESCRIPTION	DATE	APVD
	A	INITIAL DRAWING	26AUG2019	VM MP

Ordering Information

Typical Part Number ► **CAP200 A A A N A**

Series: CAP200 = 500 Amp, 12-900VDC Contactor

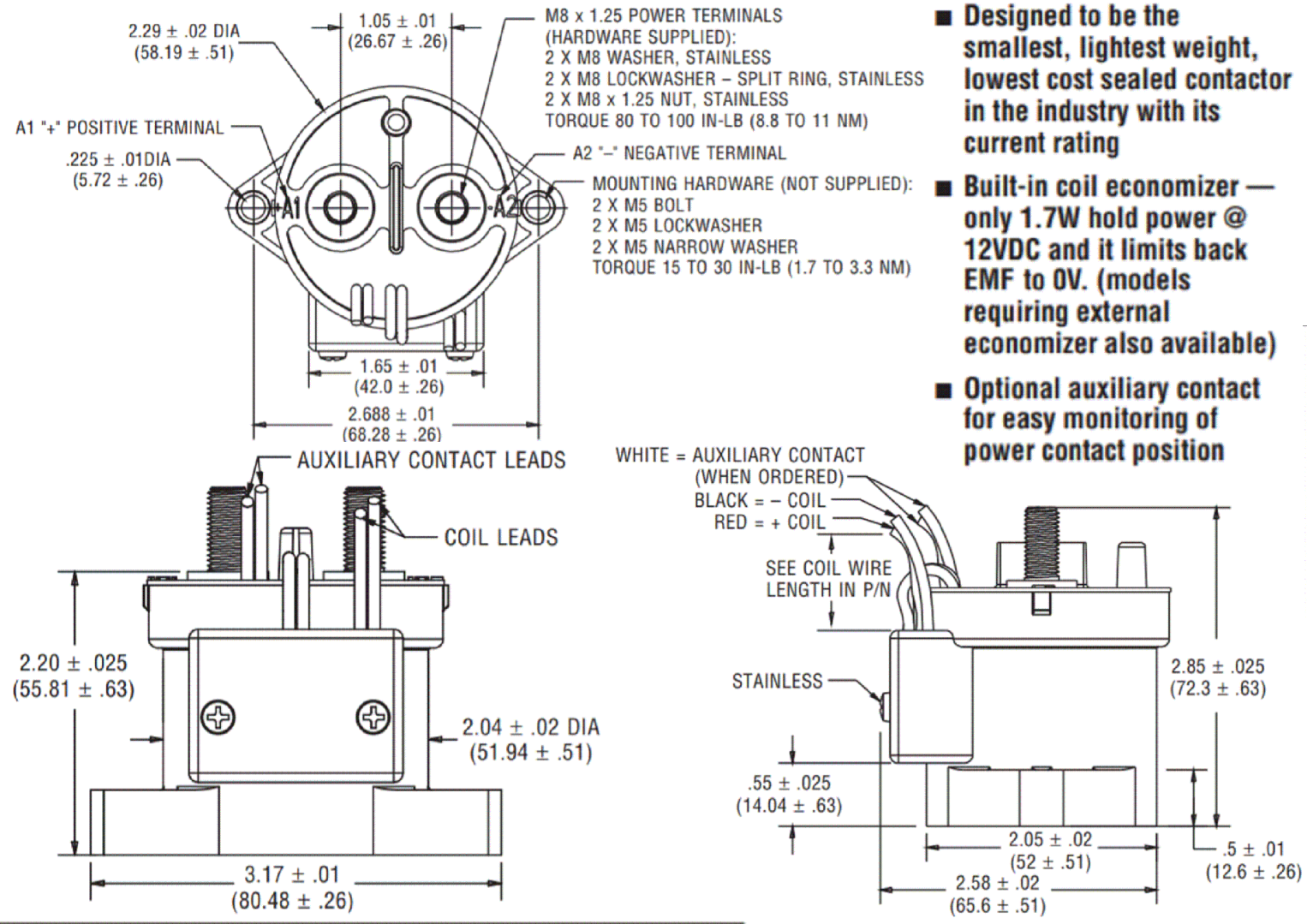
Contact Form:
 A = Normally Open
 H = Normally Open with Aux. Contacts

Coil Voltage:
 A = 9-36VDC (1 = requires external coil economizer)
 D = 32-95VDC (2 = requires external coil economizer)
 J = 48-95VDC (3 = requires external coil economizer)
 R = 28 Vdc with mechanical economizer

Coil Wire Length:
 A = 15.3 in (390 mm)
 D = Coil connector on relay (requires option "E" or "X" in next step)

Coil Terminal Connector:
 N = None
 E = 9-pin subminiature "D" plug mounted on contactor housing
 F = 9-pin subminiature "D" plug mounted on 15.3 in (390 mm) flying leads.
 X = Special configuration (consult factory)

Outline Dimensions



Product Facts

- Designed to be the smallest, lightest weight, lowest cost sealed contactor in the industry with its current rating
- Built-in coil economizer — only 1.7W hold power @ 12VDC and it limits back EMF to 0V. (models requiring external economizer also available)
- Optional auxiliary contact for easy monitoring of power contact position

- Hermetically sealed — intrinsically safe, operates in explosive/harsh environments with no oxidation or contamination of coil or contacts, including long periods of non-operation
- Versatile coil and power connections
- RoHS versions available



Mounting & Power Terminals:

A = Bottom Mount & Male 10mm x 8 Terminals

Performance Data

Contact Arrangement, Power Contacts — 1 Form A (SPST-NO)

Rated Operating Voltage — 12 - 900 VDC

Continuous (Carry) Current, Typical — 500 A @ 85°C, 400 mcm conductors
Consult Factory for required conductors for higher currents

Make/Break Current at Various Voltages ¹ — See graph next page

Break Current at 320VDC ¹ — 2,000 A, 1 cycle ³

Contact Resistance, Typ. (@200A) — 0.2 mohms

Load Life — See graph next page

Mechanical Life — 1 million cycles

Contact Arrangement, Auxiliary Contacts — 1 Form A (SPST-NO)

Aux. Contact Current, Max. — 2A @ 30VDC / 3A @ 125VAC

Aux. Contact Current, Min. — 100mA @ 8V

Aux. Contact Resistance, Max. — 0.417 ohms @ 30VDC / .150 ohms @ 125VAC

Dielectric Withstanding Voltage — 2,200 Vrms @ sea level

Insulation Resistance @ 500VDC — 100 megohms ²

Shock, 11ms 1/2 Sine, Peak, Operating — 20 G

Weight, Nominal — .95 lb. (.43 kg)

Coil Operating Voltage (Valid Over Temperature Range)			
Voltage (Will Operate)	9-36VDC	32-95VDC	48-95VDC
Voltage (Max.)	36VDC	95VDC	95VDC
Pickup (Close) Voltage Max.	9VDC	32VDC	48VDC
Hold Voltage (Min.)	7.5VDC	22VDC	34VDC
Dropout (Open) Voltage (Min.)	6VDC	18VDC	27VDC
Inrush Current (Max.)	3.8A	1.3A	0.7A
Holding Current (Avg.)	0.13A@12V, 0.07A@24V	0.03A@48V	0.02A@72V
Inrush Time (Max.)	130ms	130ms	130ms

ALL DIMENSIONS ARE IN INCHES(MM)

Notes:
 1 Main power contacts
 2 O at end of life
 3 Does not meet dielectric & IR after test, 1700 amp for unit with Aux. contacts

THIS DRAWING IS A CONTROLLED DOCUMENT.		DWN VM 26AUG2019	TE Connectivity		
DIMENSIONS: INCHES		CHK RV 26AUG2019			
TOLERANCES UNLESS OTHERWISE SPECIFIED:		APVD MP 26AUG2019	NAME: CAP200 SERIES CONTACTOR		
0 PLC ± -		PRODUCT SPEC	-		
1 PLC ± -		APPLICATION SPEC	-		
2 PLC ± -		WEIGHT	SIZE: A3	CAGE CODE: -	DRAWING NO: CAP200-SERIES
3 PLC ± -		MATERIAL	RESTRICTED TO: -		
4 PLC ± -		FINISH	SCALE: NTS		
ANGLES ± -			SHEET: 1 OF 1		
			REV: A		

Mouser Electronics

Authorized Distributor

Click to View Pricing, Inventory, Delivery & Lifecycle Information:

[TE Connectivity:](#)

[CAP200A1ANA](#)