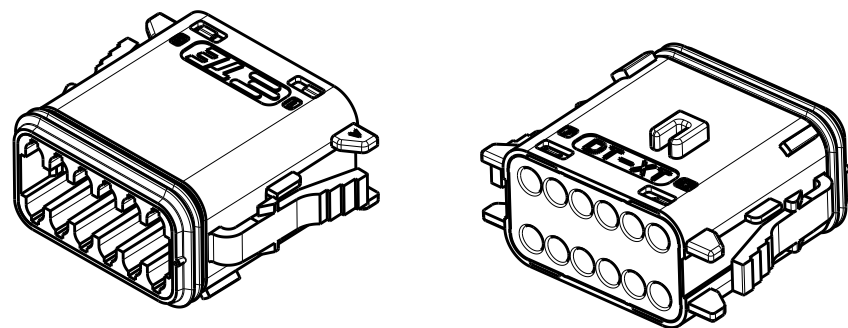
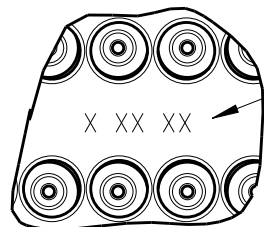
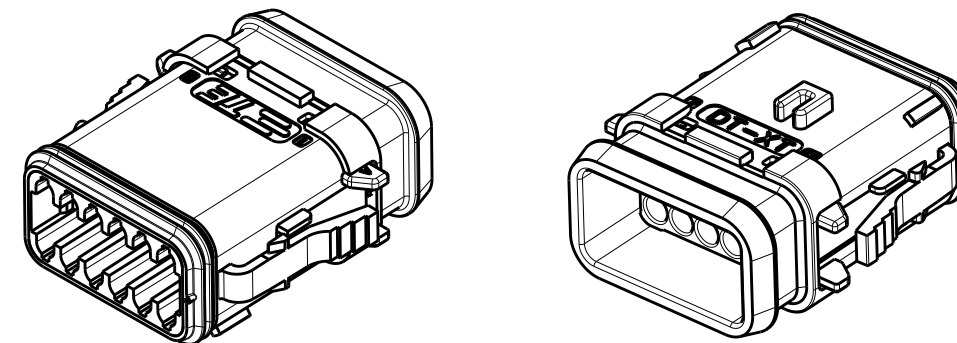


P	LTR	DESCRIPTION	DATE	DWN	APVD
	A	INITIAL RELEASE	20JUN2020	J.S	I.Y
	A1	ECR-20-010349	26JUL2020	J.G	I.Y
	A2	ECR-20-013768	28SEP2020	J.G	E.J

12CCT PLUG CONNECTOR



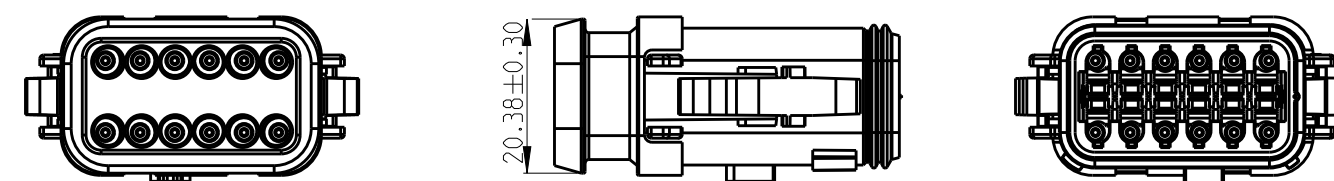
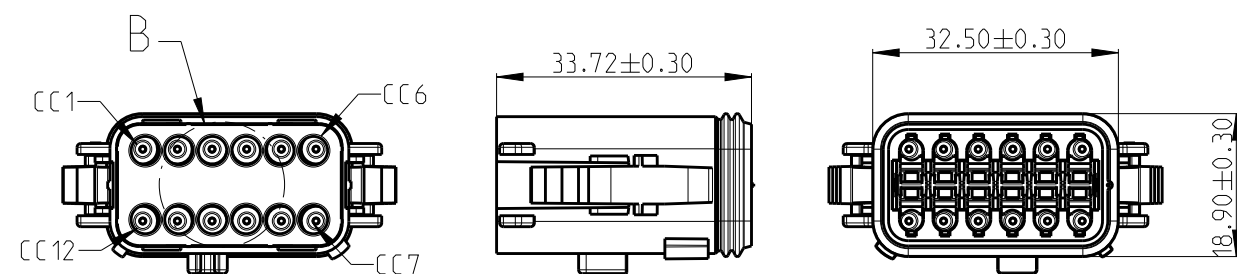
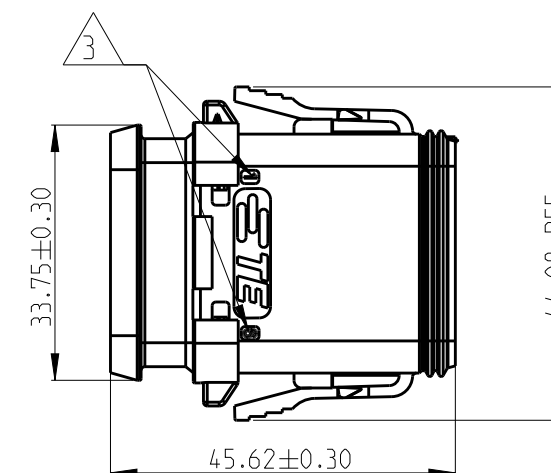
12CCT PLUG CONNECTOR WITH HEATSHRINK HOUSING ULTRASONICALLY WELDED IN PLACE



DATE CODE: X XX XX  
 X- DAY: 1- 7  
 XX- WEEK: 01 - 52  
 XX- YEAR: 00 - 99  
 # MACHINE NO. 1

EXAMPLE: 11315 = DAY 1, WEEK 13, YEAR 15  
 i.e. 23rd OF MARCH 2015

DETAIL B  
 SCALE 2:1



1. THIS PLUG MATES WITH RECEP ASSEMBLY PN X-2600042-X FOR THE CORRESPONDED KEYING.

2. MATERIAL

PLUG HOUSING: NYLON GF30, PLUG SEAL: SILICONE RUBBER, RED  
 BACK SEAL: SILICONE RUBBER  
 BACK COVER: NYLON GF30, BLACK  
 HEATSHRINK HOUSING: NYLON GF30, BLACK

3 CIRCUIT IDENTIFICATION

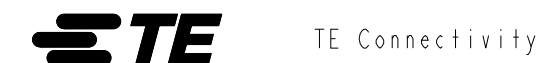
4. JACKET RANGE LARGE = Ø2.23mm TO 3.68mm (SEAL COLOUR: LIGHT BLUE)  
 JACKET RANGE SMALL = Ø1.20mm TO 3.05mm (SEAL COLOUR: BURNT ORANGE)

5. SEE SHEET3 FOR FINAL PART NUMBER DESIGNATION

THIS DRAWING IS A CONTROLLED DOCUMENT.

DIMENSIONS:	TOLERANCES UNLESS OTHERWISE SPECIFIED:
mm	
	0 PLC ±
	1 PLC ±
	2 PLC ±
	3 PLC ±
	4 PLC ±
	ANGLES ±
MATERIAL	FINISH
-	-
-	-

DWN	J. SHANG	20JUN2020
CHK	E. JIANG	20JUN2020
APVD	L. YIN	20JUN2020
PRODUCT SPEC	108-160026	
APPLICATION SPEC	114-160017	
WEIGHT	-	
CUSTOMER DRAWING		



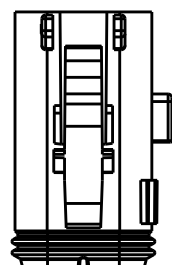
NAME 12CCT DT-XT PLUG CONNECTOR

SIZE	CAGE CODE	DRAWING NO	RESTRICTED TO
A3	00779	©-2600043	-
SCALE 1:1		SHEET 1 OF 3	REV A2

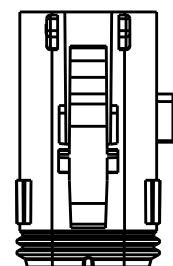
REVISIONS

P	LTR	DESCRIPTION	DATE	DWN	APVD
		SEE SHEET 1			

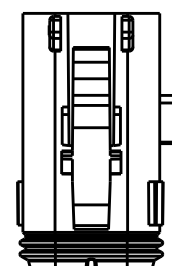
KEYING OPTION A



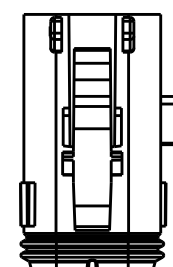
KEYING OPTION B



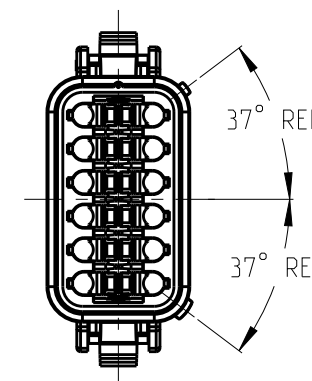
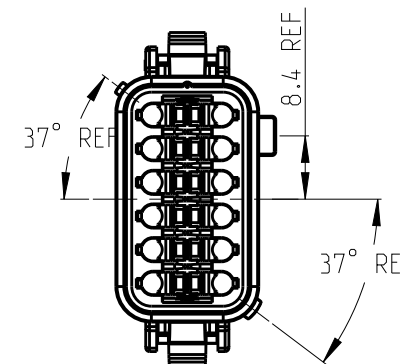
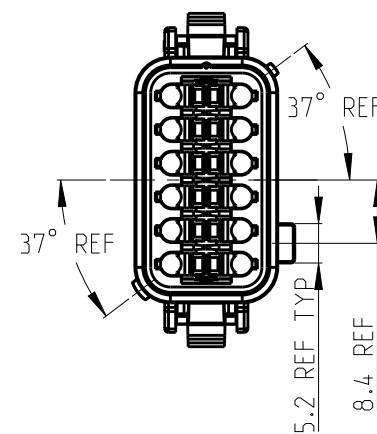
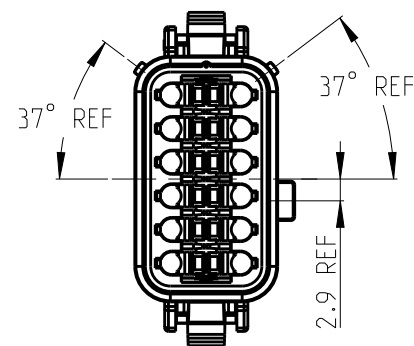
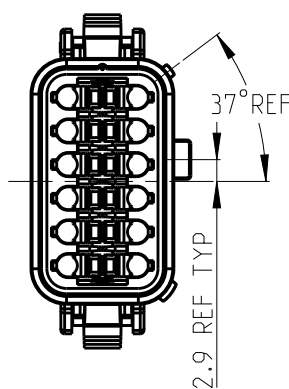
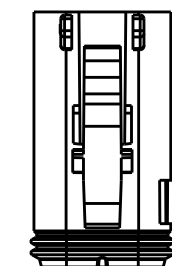
KEYING OPTION C



KEYING OPTION D



KEYING OPTION E



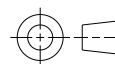
THIS DRAWING IS A CONTROLLED DOCUMENT.

DWN J.SHANG 20JUN2020  
 CHK E.JIANG 20JUN2020  
 APVD L.YIN 20JUN2020



DIMENSIONS:

mm



TOLERANCES UNLESS OTHERWISE SPECIFIED:

- 0 PLC ±
- 1 PLC ±
- 2 PLC ±
- 3 PLC ±
- 4 PLC ±
- ANGLES ±

MATERIAL

-

FINISH

-

PRODUCT SPEC

108-160026

APPLICATION SPEC

114-160017

WEIGHT

-

NAME 12CCT DT-XT PLUG CONNECTOR

SIZE CAGE CODE DRAWING NO RESTRICTED TO

A3 00779 C-2600043

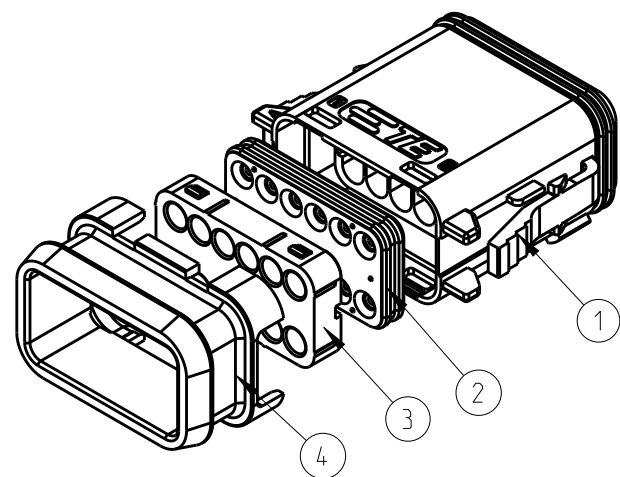
CUSTOMER DRAWING

SCALE 1:1

SHEET 2 OF 3

REV A2

P	LTR	DESCRIPTION	DATE	DWN	APVD
		SEE SHEET 1			



QTY.	TE PN	ALIAS PN	REVISION OF EACH ASSY NO.	WEIGHT OF EACH ASSY(g)	COLOR	GREY	BLACK	BLACK	GREEN	BROWN	GREY	BURNT ORANGE	LIGHT BLUE	BLACK	BLACK
2-	-4	934456652	-	17.47							1		1	1	1
2-	-3	934456647	-	17.47					1				1	1	1
2-	-2	934456633	-	17.47				1					1	1	1
2-	-1	934456621	-	17.47			1						1	1	1
2-	-0	934456611	-	17.47		1							1	1	1
1-	-9	934456612	-	17.47		1							1	1	1
1-	-8	934456552	-	17.47						1	1			1	1
1-	-7	934456547	-	17.47					1		1			1	1
1-	-6	934456533	-	17.47					1		1			1	1
1-	-5	934456521	-	17.47				1			1			1	1
1-	-4	934456511	-	17.47			1				1			1	1
1-	-3	934456512	-	17.47		1					1			1	1
1-	-2	934456252	-	14.52						1			1	1	-
1-	-1	934456247	-	14.52					1				1	1	-
1-	-0	934456233	-	14.52				1					1	1	-
-	-9	934456221	-	14.52				1					1	1	-
-	-8	934456211	-	14.52			1						1	1	-
-	-7	934456212	-	14.52		1							1	1	-
-	-6	934456152	-	14.52						1	1			1	-
-	-5	934456147	-	14.52					1		1			1	-
-	-4	934456133	-	14.52				1			1			1	-
-	-3	934456121	-	14.52				1			1			1	-
-	-2	934456111	-	14.52			1				1			1	-
-	-1	934456112	-	14.52		1					1			1	-
TE PN	ALIAS PN	REVISION OF EACH ASSY NO.	WEIGHT OF EACH ASSY(g)		COLOR	GREY	BLACK	BLACK	GREEN	BROWN	GREY	BURNT ORANGE	LIGHT BLUE	BLACK	BLACK
					KEYING	A	A	B	C	D	E	-	-	-	-
					MATERIAL	NYLON GF30	NYLON GF30	NYLON GF30	NYLON GF30	NYLON GF30	NYLON GF30	SILICONE RUBBER	SILICONE RUBBER	NYLON GF30	NYLON GF30
					DESCRIPTION	PLUG HOUSING						BACK SEAL SMALL	BACK SEAL LARGE	BACK COVER	HEATSHRINK HOUSING
					ITEM NO	1						2		3	4

THIS DRAWING IS A CONTROLLED DOCUMENT.

DIMENSIONS:	TOLERANCES UNLESS OTHERWISE SPECIFIED:
mm	0 PLC ±
	1 PLC ±
	2 PLC ±
	3 PLC ±
	4 PLC ±
	ANGLES ±
MATERIAL	FINISH
-	-
-	-

DWN	J. SHANG	20JUN2020
CHK	E. JIANG	20JUN2020
APVD	L. YIN	20JUN2020
PRODUCT SPEC	108-160026	
APPLICATION SPEC	114-160017	
WEIGHT	-	
CUSTOMER DRAWING		

**TE** TE Connectivity

NAME: 12CCT DT-XT PLUG CONNECTOR

SIZE	CAGE CODE	DRAWING NO	RESTRICTED TO
A3	00779	©=2600043	-

SCALE: 1:1 SHEET 3 OF 3 REV A2

# Mouser Electronics

Authorized Distributor

Click to View Pricing, Inventory, Delivery & Lifecycle Information:

[TE Connectivity:](#)

[934456211](#)