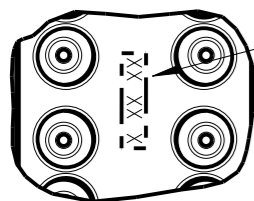
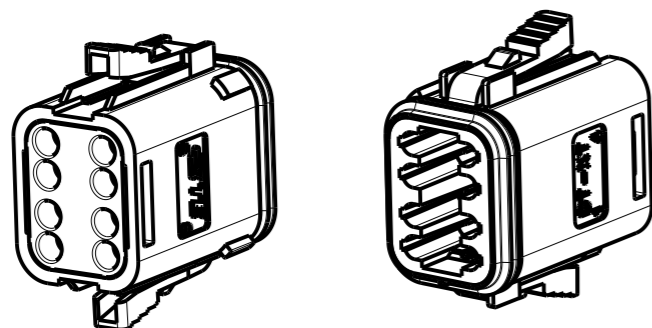


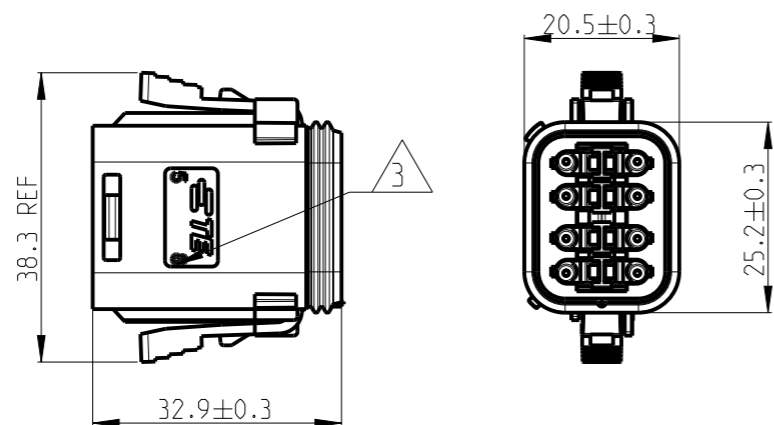
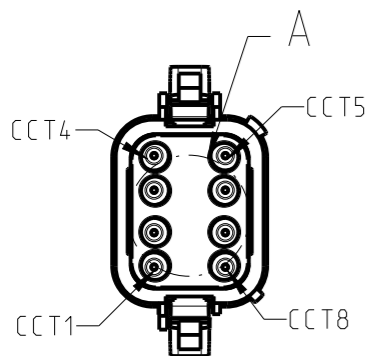
8CCT PLUG CONNECTOR



DATE CODE: X XX XX
 X- DAY: 1- 7
 XX- WEEK: 01 - 52
 XX- YEAR: 00 - 99
 # MACHINE NO. 1

EXAMPLE: 11315 = DAY 1, WEEK 13, YEAR 15
 i.e. 23rd OF MARCH 2015

DETAIL A
 SCALE 2:1



1. THIS PLUG MATES WITH RECP ASSEMBLY PN X-2600038-X FOR THE CORRESPONDING KEYING.

2. MATERIAL
 PLUG HOUSING: NYLON GF30, PLUG SEAL: SILICONE RUBBER, RED
 BACK SEAL: SILICONE RUBBER
 BACK COVER: NYLON GF30, BLACK
 HEATSHRINK HOUSING: NYLON GF30, BLACK

CIRCUIT IDENTIFICATION

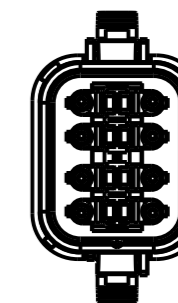
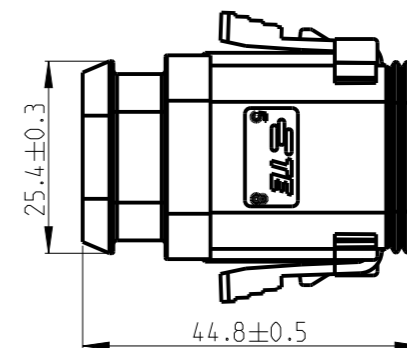
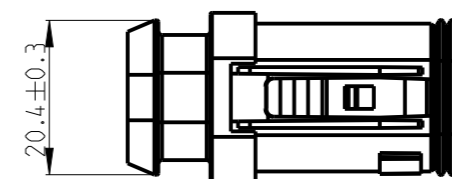
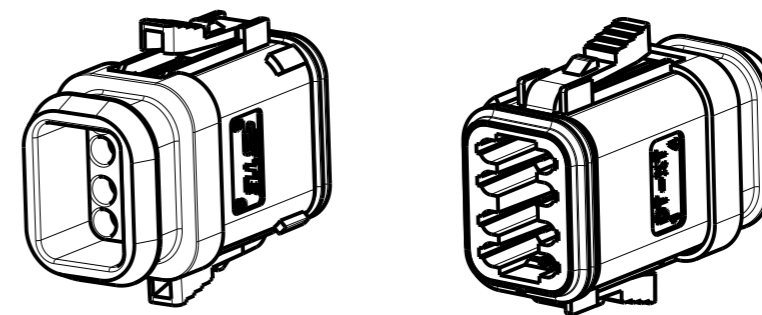
4. JACKET RANGE LARGE = Ø2.23MM TO 3.68MM (SEAL COLOUR: LIGHT BLUE)
 JACKET RANGE SMALL = Ø1.35MM TO 3.05MM (SEAL COLOUR: BURNT ORANGE)

5. SEE SHEET 3 FOR FINAL PART NUMBER DESIGNATION

REVISIONS

P	LTR	DESCRIPTION	DATE	DWN	APVD
	A	INITIAL RELEASE	12JUN2020	J.S	I.Y
	A1	ECR-20-010349	26JUL2020	J.G	I.Y
	A2	ECR-20-013768	28SEP2020	J.G	E.J

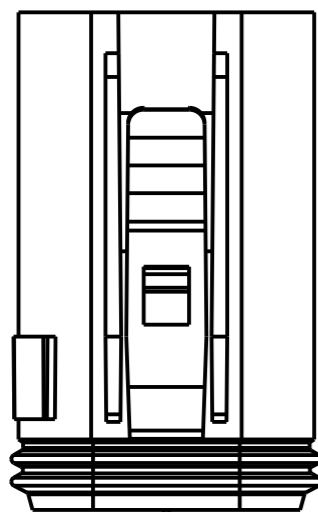
8CCT PLUG CONNECTOR WITH HEATSHRINK HOUSING ULTRASONICALLY WELDED IN PLACE



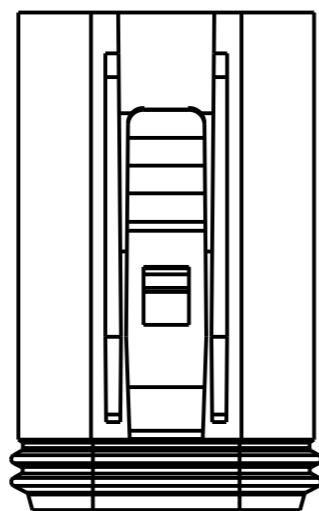
THIS DRAWING IS A CONTROLLED DOCUMENT.		DWN J. Shang 12JUN2020	TE Connectivity NAME 8CCT DT-XT CONNECTOR PLUG ASSEMBLY	
DIMENSIONS: mm		CHK E. Jiang 12JUN2020		
TOLERANCES UNLESS OTHERWISE SPECIFIED:		APVD I. Yin 12JUN2020		
0 PLC ± 1 PLC ± 2 PLC ± 3 PLC ± 4 PLC ± ANGLES ±		PRODUCT SPEC 108-160026		
MATERIAL		APPLICATION SPEC 114-160017	SIZE A3	CAGE CODE 00779
FINISH		WEIGHT -	DRAWING NO C-2600039	RESTRICTED TO -
-		CUSTOMER DRAWING	SCALE 1:1	SHEET 1 OF 3
-				REV A2

REVISIONS					
P	LTR	DESCRIPTION	DATE	DWN	APVD
		SEE SHEET 1			

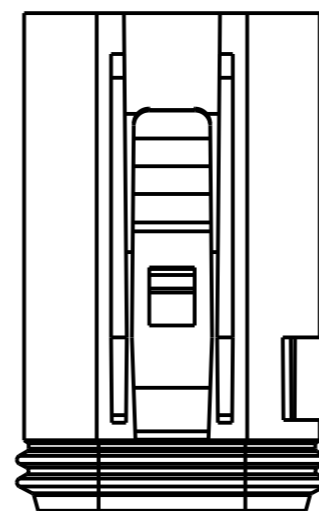
KEYING OPTION A



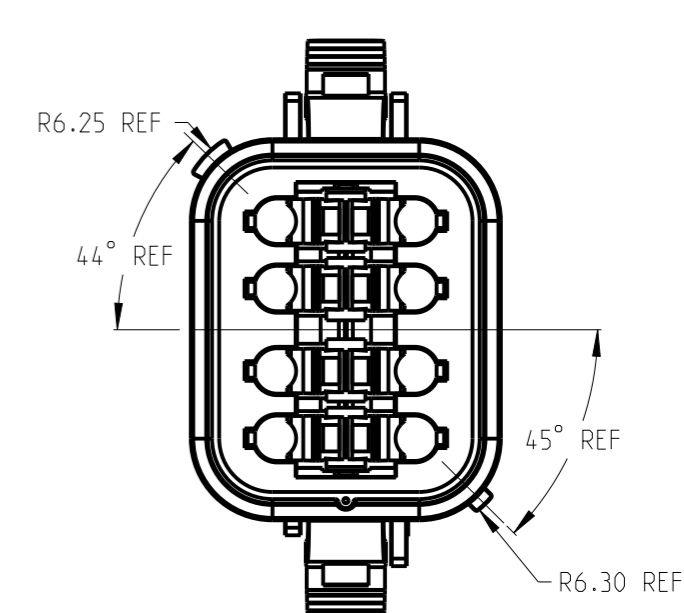
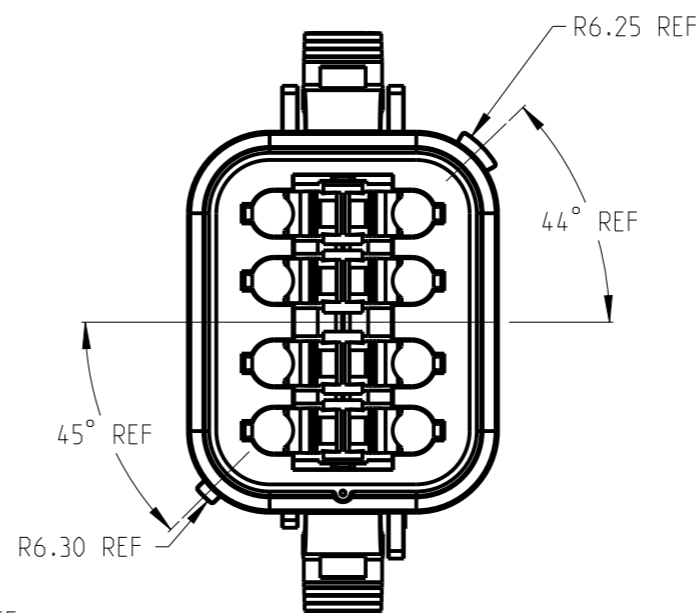
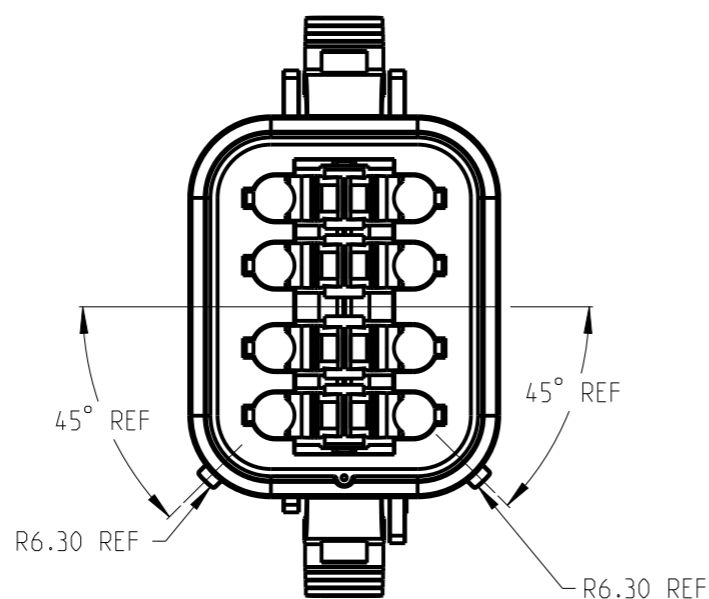
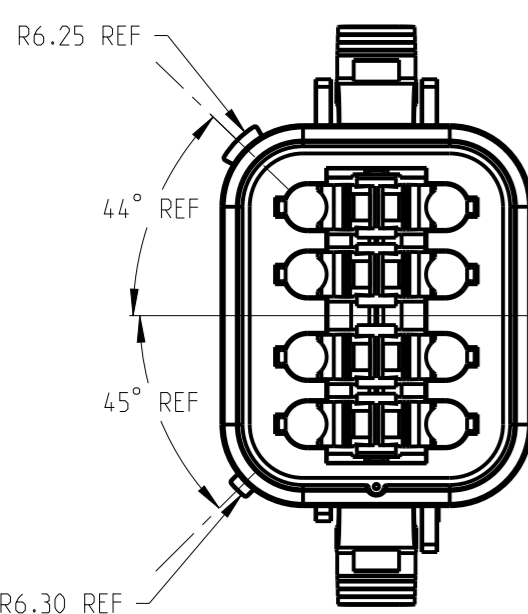
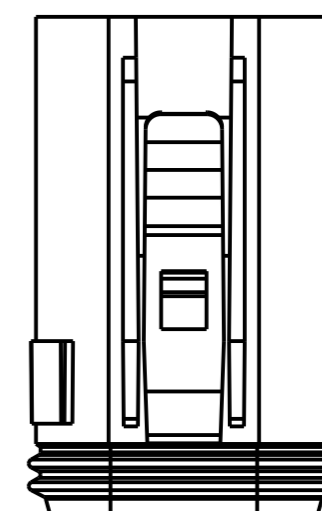
KEYING OPTION B


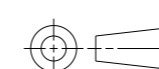


KEYING OPTION C



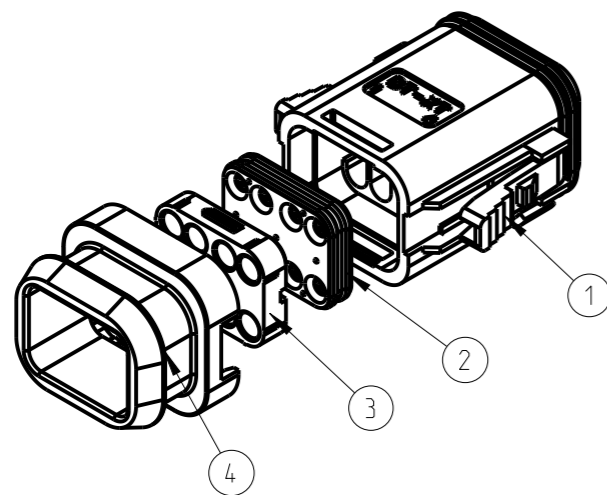
KEYING OPTION D



THIS DRAWING IS A CONTROLLED DOCUMENT.		DWN J. Shang 12 JUN 2020	 TE Connectivity	NAME 8CCT DT-XT CONNECTOR PLUG ASSEMBLY		
DIMENSIONS: mm		CHK E. Jiang 12 JUN 2020		PRODUCT SPEC 108-160026	SIZE A3	CAGE CODE 00779
		APVD L. Yin 12 JUN 2020		APPLICATION SPEC 114-160017	DRAWING NO C-2600039	RESTRICTED TO -
TOLERANCES UNLESS OTHERWISE SPECIFIED:		MATERIAL -		WEIGHT -	SCALE 2:1	
0 PLC ±		FINISH -		CUSTOMER DRAWING	SHEET 2 OF 3	
1 PLC ±					REV A2	
2 PLC ±						
3 PLC ±						
4 PLC ±						
ANGLES ±						

REVISIONS

P	LTR	DESCRIPTION	DATE	DWN	APVD
		SEE SHEET 1			



QTY.	TE PN	ALIAS PN	REVISION OF EACH ASSY NO.	WEIGHT OF EACH ASSY(g)	QTY. REQUEST PER ASSY	1	2	3	4
2	-0	934455647	-	15.42	-	-	-	1	1
1	-9	934455633	-	15.42	-	-	1	-	1
1	-8	934455621	-	15.42	-	1	-	-	1
1	-7	934455611	-	15.42	-	1	-	-	1
1	-6	934455612	-	15.42	1	-	-	-	1
1	-5	934455547	-	15.42	-	-	1	-	1
1	-4	934455533	-	15.42	-	-	1	-	1
1	-3	934455521	-	15.42	-	1	-	-	1
1	-2	934455511	-	15.42	-	1	-	-	1
1	-1	934455512	-	15.42	1	-	-	-	1
1	-0	934455247	-	12.57	-	-	-	1	-
-9	934455233	-	12.57	-	-	-	1	-	-
-8	934455221	-	12.57	-	-	1	-	-	-
-7	934455211	-	12.57	-	-	1	-	-	-
-6	934455212	-	12.57	-	1	-	-	-	-
-5	934455147	-	12.57	-	-	-	1	-	-
-4	934455133	-	12.57	-	-	-	1	-	-
-3	934455121	-	12.57	-	-	1	-	-	-
-2	934455111	-	12.57	-	-	1	-	-	-
-1	934455112	-	12.57	-	1	-	-	-	-
KEYING	A	A	B	C	D	-	-	-	-
COLOR	GREY	BLACK	BLACK	GREEN	BROWN	BURNT ORANGE	LIGHT BLUE	BLACK	BLACK
MATERIAL	NYLON GF30	NYLON GF30	NYLON GF30	NYLON GF30	NYLON GF30	SILICONE RUBBER	SILICONE RUBBER	NYLON GF30	NYLON GF30
DESCRIPTION	PLUG HOUSING					BACK SEAL SMALL	BACK SEAL LARGE	BACK COVER	HEATSHRINK HOUSING
ITEM NO	1					2		3	4

THIS DRAWING IS A CONTROLLED DOCUMENT.

DIMENSIONS: mm	TOLERANCES UNLESS OTHERWISE SPECIFIED: 0 PLC ± 1 PLC ± 2 PLC ± 3 PLC ± 4 PLC ± ANGLES ±
MATERIAL	FINISH

DWN	J. Shang	12 JUN 2020
CHK	E. Jiang	12 JUN 2020
APVD	L. Yin	12 JUN 2020
PRODUCT SPEC	108-160026	
APPLICATION SPEC	114-160017	
WEIGHT	-	

TE TE Connectivity

NAME: 8CCT DT-XT CONNECTOR PLUG ASSEMBLY

SIZE	CAGE CODE	DRAWING NO	RESTRICTED TO
A3	00779	C=2600039	-

CUSTOMER DRAWING SCALE 1:1 SHEET 3 OF 3 REV A2

Mouser Electronics

Authorized Distributor

Click to View Pricing, Inventory, Delivery & Lifecycle Information:

[TE Connectivity:](#)

[934455111](#)