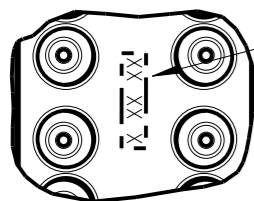
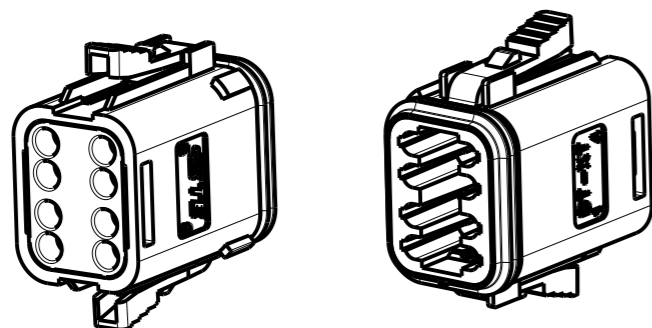


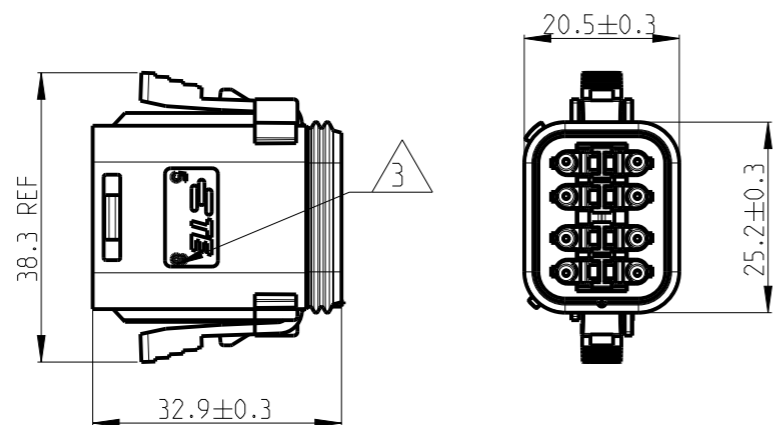
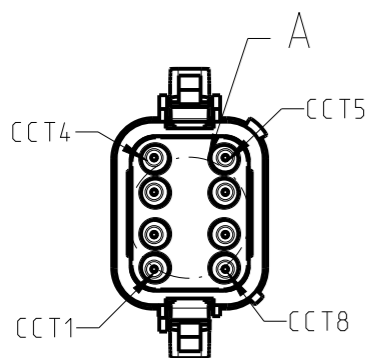
8CCT PLUG CONNECTOR



DATE CODE: X XX XX  
 X- DAY: 1- 7  
 XX- WEEK: 01 - 52  
 XX- YEAR: 00 - 99  
 # MACHINE NO. 1

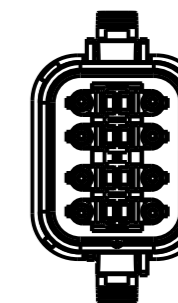
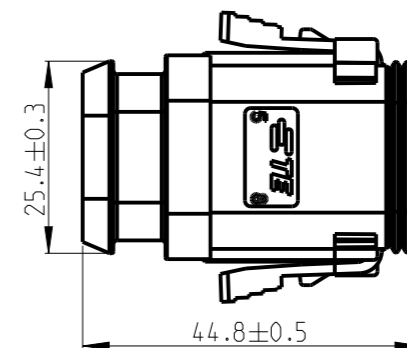
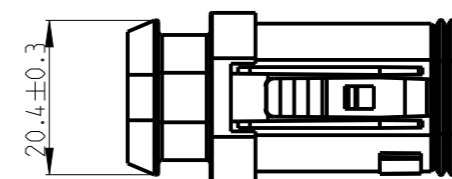
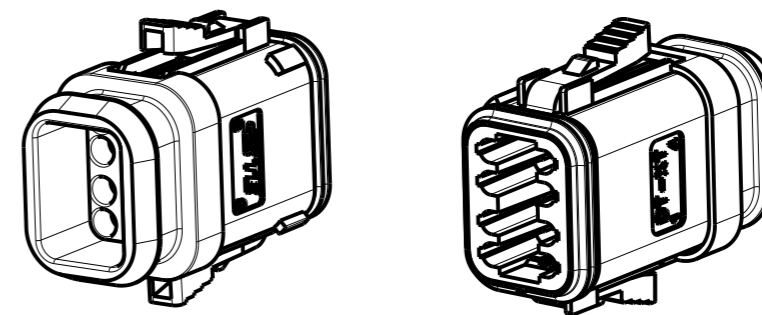
EXAMPLE: 11315 = DAY 1, WEEK 13, YEAR 15  
 i.e. 23rd OF MARCH 2015

DETAIL A  
 SCALE 2:1



REVISIONS					
P	LTR	DESCRIPTION	DATE	DWN	APVD
	A	INITIAL RELEASE	12JUN2020	J.S	I.Y
	A1	ECR-20-010349	26JUL2020	J.G	I.Y
	A2	ECR-20-013768	28SEP2020	J.G	E.J

8CCT PLUG CONNECTOR WITH HEATSHRINK HOUSING ULTRASONICALLY WELDED IN PLACE



1. THIS PLUG MATES WITH RECEP ASSEMBLY PN X-2600038-X FOR THE CORRESPONDING KEYING.

2. MATERIAL  
 PLUG HOUSING: NYLON GF30, PLUG SEAL: SILICONE RUBBER, RED  
 BACK SEAL: SILICONE RUBBER  
 BACK COVER: NYLON GF30, BLACK  
 HEATSHRINK HOUSING: NYLON GF30, BLACK

3 CIRCUIT IDENTIFICATION

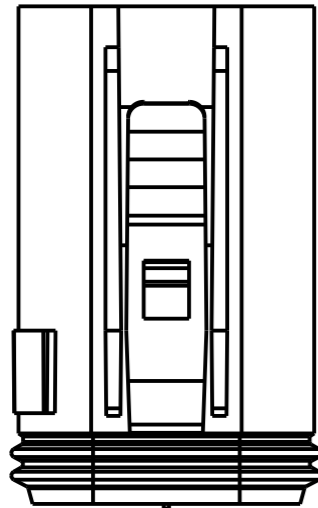
4. JACKET RANGE LARGE = Ø2.23MM TO 3.68MM (SEAL COLOUR: LIGHT BLUE)  
 JACKET RANGE SMALL = Ø1.35MM TO 3.05MM (SEAL COLOUR: BURNT ORANGE)

5. SEE SHEET 3 FOR FINAL PART NUMBER DESIGNATION

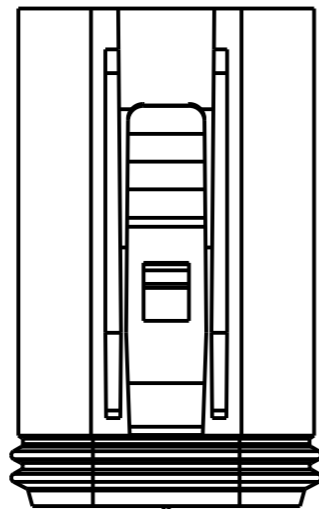
THIS DRAWING IS A CONTROLLED DOCUMENT.		DWN J. Shang 12JUN2020												
DIMENSIONS: mm		CHK E. Jiang 12JUN2020												
TOLERANCES UNLESS OTHERWISE SPECIFIED:		APVD I. Yin 12JUN2020												
<table border="0"> <tr><td>0 PLC</td><td>±</td></tr> <tr><td>1 PLC</td><td>±</td></tr> <tr><td>2 PLC</td><td>±</td></tr> <tr><td>3 PLC</td><td>±</td></tr> <tr><td>4 PLC</td><td>±</td></tr> <tr><td>ANGLES</td><td>±</td></tr> </table>		0 PLC				±	1 PLC	±	2 PLC	±	3 PLC	±	4 PLC	±
0 PLC	±													
1 PLC	±													
2 PLC	±													
3 PLC	±													
4 PLC	±													
ANGLES	±													
MATERIAL		FINISH	NAME 8CCT DT-XT CONNECTOR PLUG ASSEMBLY											
-		-	APPLICATION SPEC 114-160017	SIZE A3	CAGE CODE 00779									
-		-	WEIGHT -	DRAWING NO C-2600039	RESTRICTED TO -									
CUSTOMER DRAWING			SCALE 1:1	SHEET 1 OF 3	REV A2									

REVISIONS					
P	LTR	DESCRIPTION	DATE	DWN	APVD
		SEE SHEET 1			

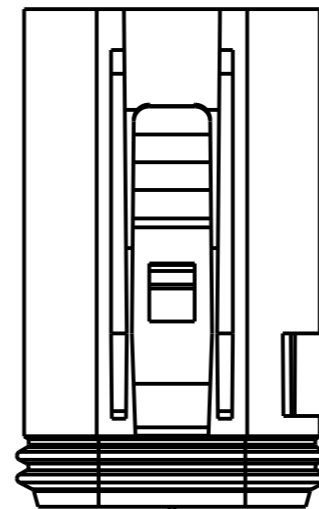
KEYING OPTION A



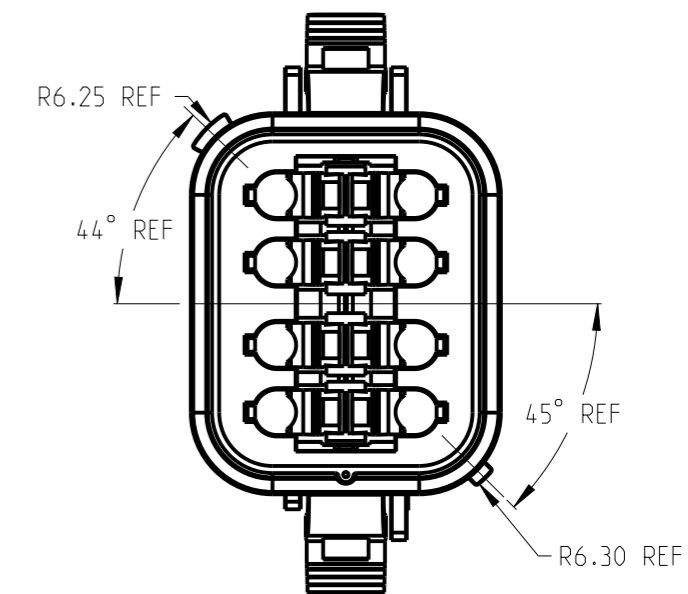
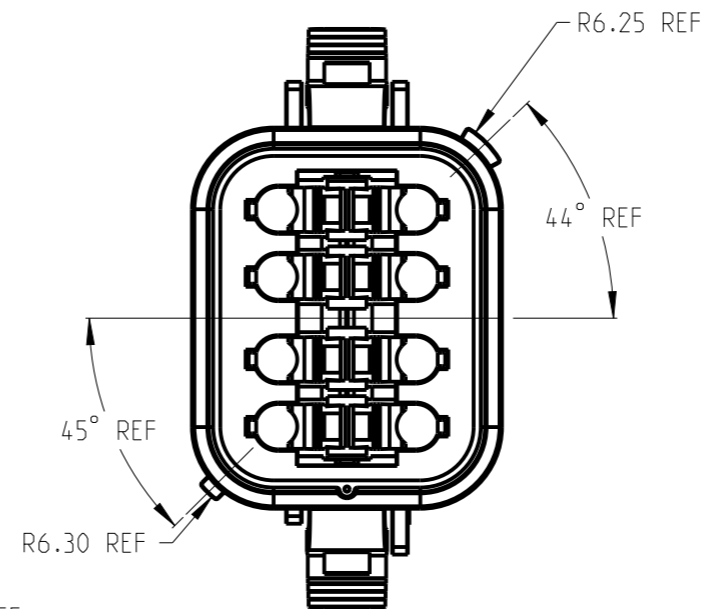
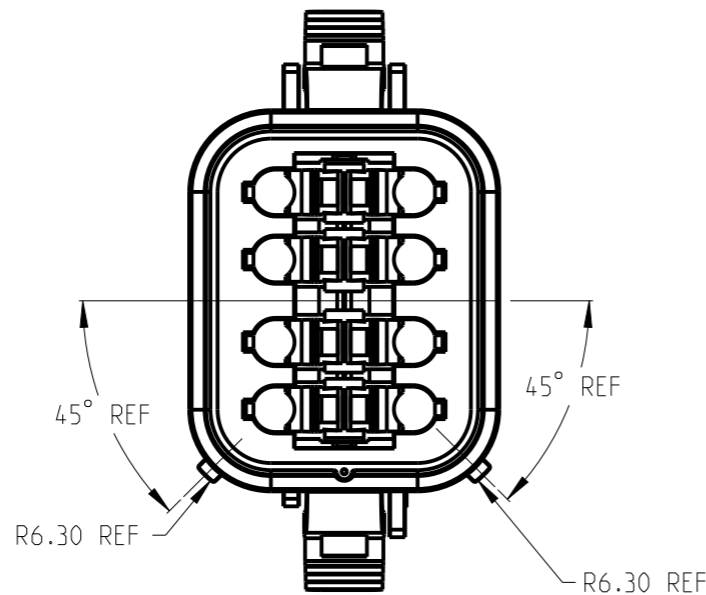
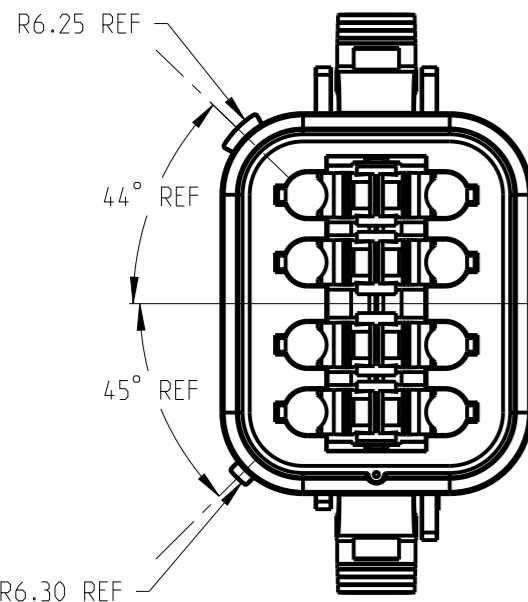
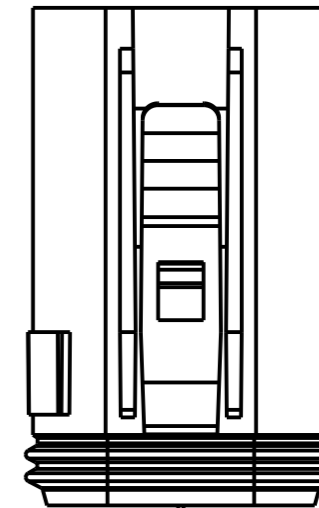
KEYING OPTION B


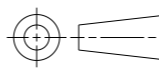


KEYING OPTION C



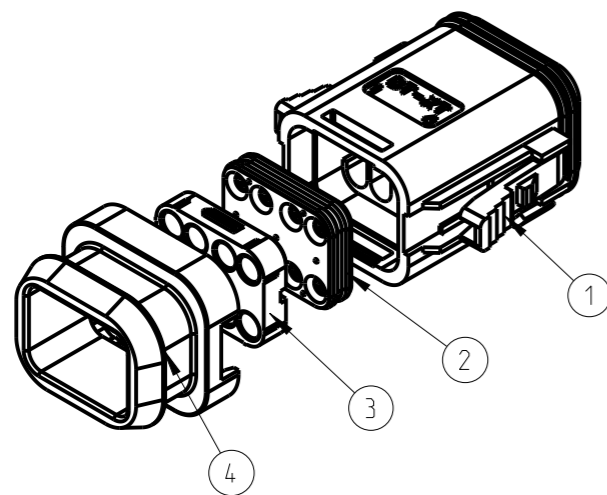
KEYING OPTION D



THIS DRAWING IS A CONTROLLED DOCUMENT.		DWN J. Shang 12 JUN 2020	 TE Connectivity	NAME 8CCT DT-XT CONNECTOR PLUG ASSEMBLY		
DIMENSIONS: mm		CHK E. Jiang 12 JUN 2020		PRODUCT SPEC 108-160026	SIZE A3	CAGE CODE 00779
		APVD L. Yin 12 JUN 2020		APPLICATION SPEC 114-160017	DRAWING NO C-2600039	RESTRICTED TO -
TOLERANCES UNLESS OTHERWISE SPECIFIED:		MATERIAL -		WEIGHT -		
0 PLC ±		FINISH -		SCALE 2:1		
1 PLC ±		CUSTOMER DRAWING		SHEET 2 OF 3		
2 PLC ±				REV A2		
3 PLC ±						
4 PLC ±						
ANGLES ±						

REVISIONS

P	LTR	DESCRIPTION	DATE	DWN	APVD
		SEE SHEET 1			



QTY.	TE PN	ALIAS PN	REVISION OF EACH ASSY NO.	WEIGHT OF EACH ASSY(g)	KEYING	A	A	B	C	D	BACK SEAL SMALL	BACK SEAL LARGE	BACK COVER	HEATSHRINK HOUSING
2-	-0	934455647	-	15.42						1		1	1	1
1-	-9	934455633	-	15.42					1			1	1	1
1-	-8	934455621	-	15.42				1				1	1	1
1-	-7	934455611	-	15.42					1			1	1	1
1-	-6	934455612	-	15.42						1			1	1
1-	-5	934455547	-	15.42						1	1		1	1
1-	-4	934455533	-	15.42					1		1		1	1
1-	-3	934455521	-	15.42						1			1	1
1-	-2	934455511	-	15.42						1			1	1
1-	-1	934455512	-	15.42						1			1	1
1-	-0	934455247	-	12.57						1		1	1	-
	-9	934455233	-	12.57					1			1	1	-
	-8	934455221	-	12.57					1			1	1	-
	-7	934455211	-	12.57					1			1	1	-
	-6	934455212	-	12.57						1			1	-
	-5	934455147	-	12.57						1	1		1	-
	-4	934455133	-	12.57					1		1		1	-
	-3	934455121	-	12.57						1			1	-
	-2	934455111	-	12.57						1			1	-
	-1	934455112	-	12.57						1			1	-
TE PN	ALIAS PN	REVISION OF EACH ASSY NO.	WEIGHT OF EACH ASSY(g)		KEYING	A	A	B	C	D				
					COLOR	GREY	BLACK	BLACK	GREEN	BROWN	BURNT ORANGE	LIGHT BLUE	BLACK	BLACK
					MATERIAL	NYLON GF30	NYLON GF30	NYLON GF30	NYLON GF30	NYLON GF30	SILICONE RUBBER	SILICONE RUBBER	NYLON GF30	NYLON GF30
					DESCRIPTION	PLUG HOUSING					BACK SEAL SMALL	BACK SEAL LARGE	BACK COVER	HEATSHRINK HOUSING
					ITEM NO	1					2		3	4

THIS DRAWING IS A CONTROLLED DOCUMENT.

DIMENSIONS:	TOLERANCES UNLESS OTHERWISE SPECIFIED:
mm	0 PLC ±
	1 PLC ±
	2 PLC ±
	3 PLC ±
	4 PLC ±
	ANGLES ±
MATERIAL	FINISH
-	-
-	-

DWN	J. Shang	12 JUN 2020
CHK	E. Jiang	12 JUN 2020
APVD	L. Yin	12 JUN 2020
PRODUCT SPEC	108-160026	
APPLICATION SPEC	114-160017	
WEIGHT	-	
CUSTOMER DRAWING		

**TE** TE Connectivity

NAME: 8CCT DT-XT CONNECTOR PLUG ASSEMBLY

SIZE	CAGE CODE	DRAWING NO	RESTRICTED TO
A3	00779	C=2600039	-

SCALE: 1:1 SHEET 3 OF 3 REV A2

# Mouser Electronics

Authorized Distributor

Click to View Pricing, Inventory, Delivery & Lifecycle Information:

[TE Connectivity:](#)

[934455511](#)