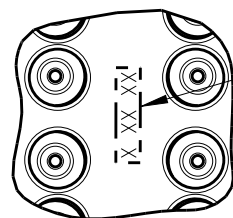
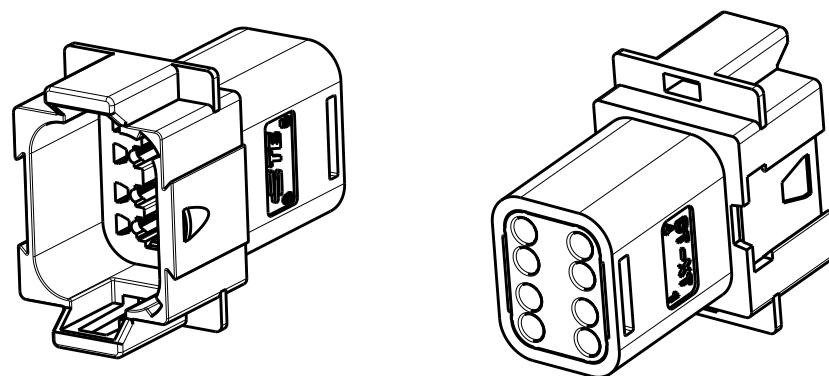


P	LTR	DESCRIPTION	DATE	DWN	APVD
	A	INITIAL RELEASE	12 JUN 2020	J.S	I.Y
	A1	ECR-20-010349	26 JUL 2020	J.G	I.Y

8CCT RECEPTACLE CONNECTOR

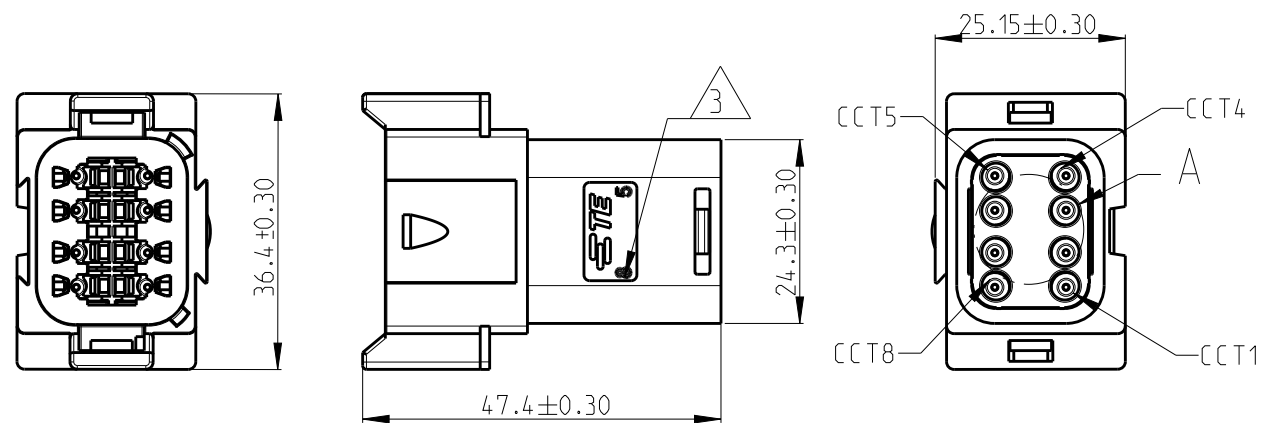
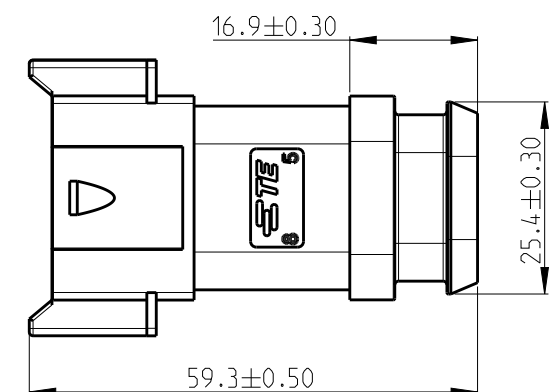
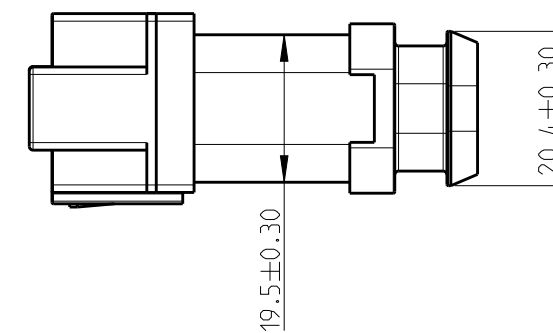
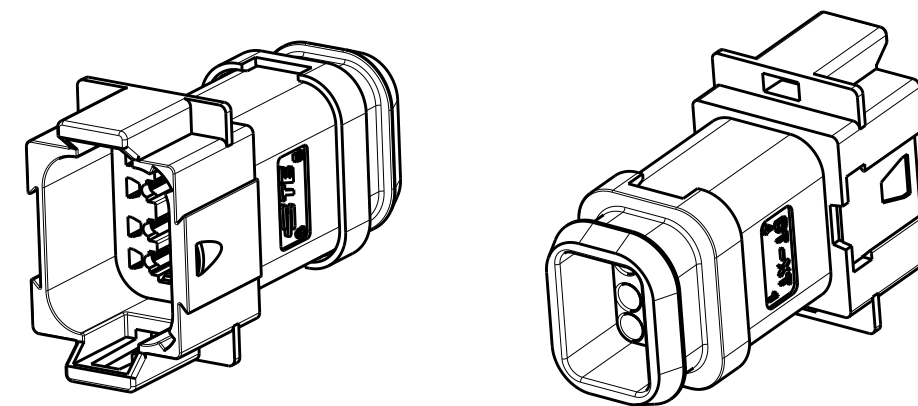


DATE CODE: X XX XX
 X- DAY: 1- 7
 XX- WEEK: 01 - 52
 XX- YEAR: 00 - 99
 # MACHINE NO. 1

EXAMPLE: 11315 = DAY 1, WEEK 13, YEAR 15
 i.e. 23rd OF MARCH 2015

DETAIL A
 SCALE 2:1

8CCT RECEPTACLE CONNECTOR WITH HEATSHRINK HOUSING ULTRASONICALLY WELDED IN PLACE



1. THIS RECEPT MATES WITH PLUG ASSEMBLY PN X-2600039-X FOR THE CORRESPONDING KEYING.

2. MATERIAL
 RECEPT HOUSING: NYLON GF30
 BACK SEAL: SILICONE RUBBER
 BACK COVER: NYLON GF30, BLACK
 HEATSHRINK HOUSING: NYLON GF30, BLACK

3. CIRCUIT IDENTIFICATION

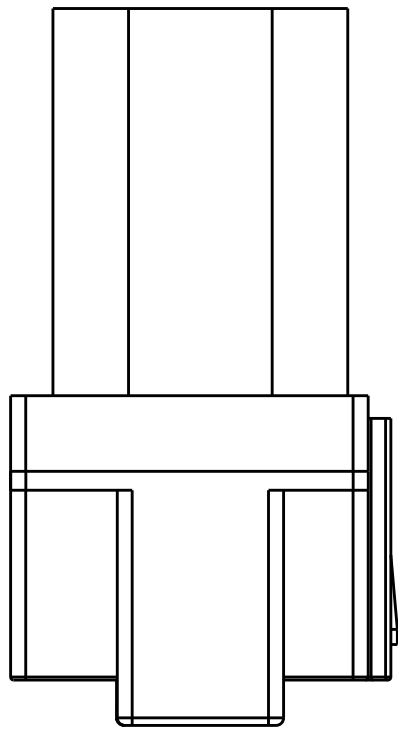
4. JACKET RANGE LARGE = Ø2.23MM TO 3.68MM (SEAL COLOUR: LIGHT BLUE)
 JACKET RANGE SMALL = Ø1.35MM TO 3.05MM (SEAL COLOUR: BURNT ORANGE)

5. SEE SHEET 3 FOR FINAL PART NUMBER DESIGNATION

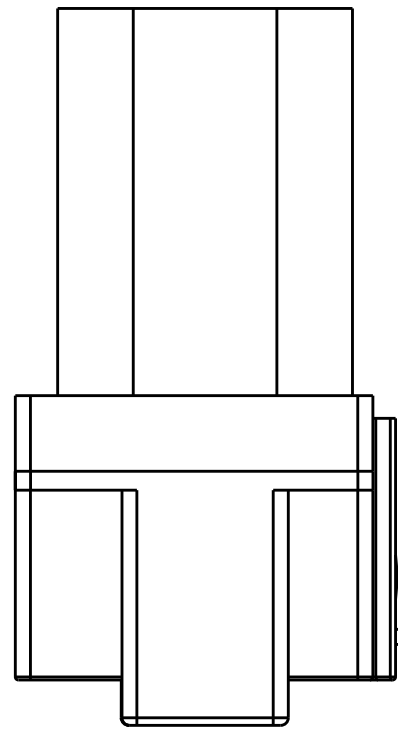
THIS DRAWING IS A CONTROLLED DOCUMENT.		DWN J.Gu 26 JUL 2020		
		CHK E.Jiang 26 JUL 2020		
		APVD I.Yin 26 JUL 2020	NAME 8CCT DT-XT CONNECTOR RECEPTACLE ASSEMBLY	
DIMENSIONS: mm		PRODUCT SPEC 108-160026	RESTRICTED TO	
TOLERANCES UNLESS OTHERWISE SPECIFIED:		APPLICATION SPEC 114-160017	SIZE A3	CAGE CODE 00779
MATERIAL		WEIGHT	DRAWING NO C=2600038	SCALE 1:1
		CUSTOMER DRAWING	SHEET 1 OF 3	REV A1

REVISIONS					
P	LTR	DESCRIPTION	DATE	DWN	APVD
		SEE SHEET 1			

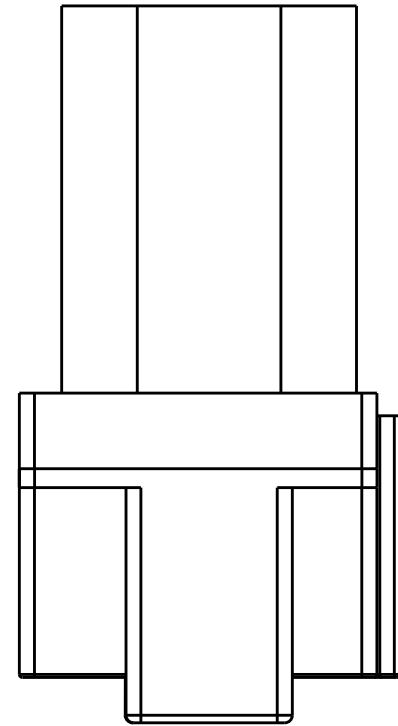
KEYING OPTION A



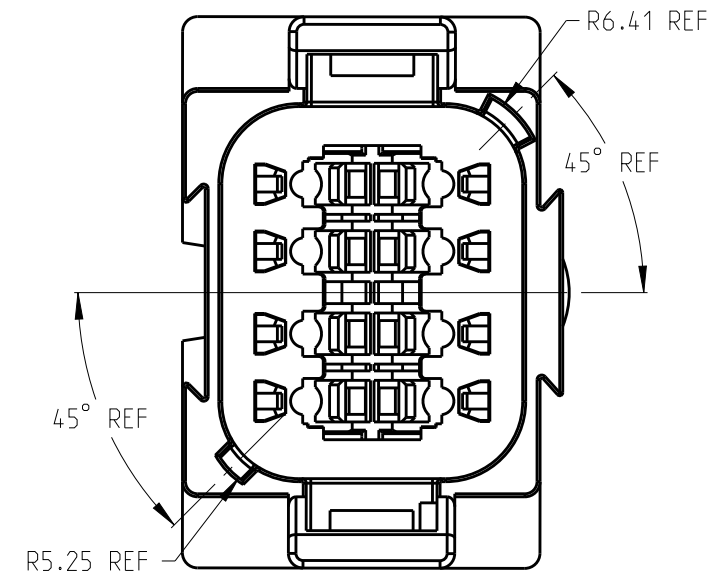
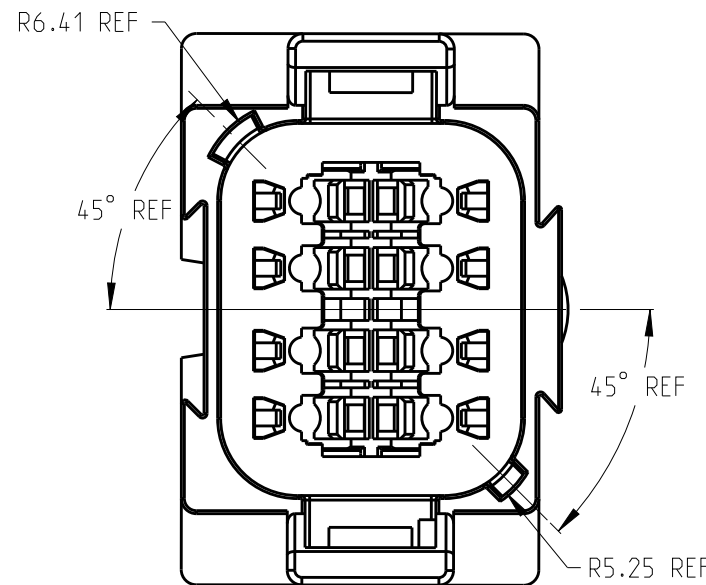
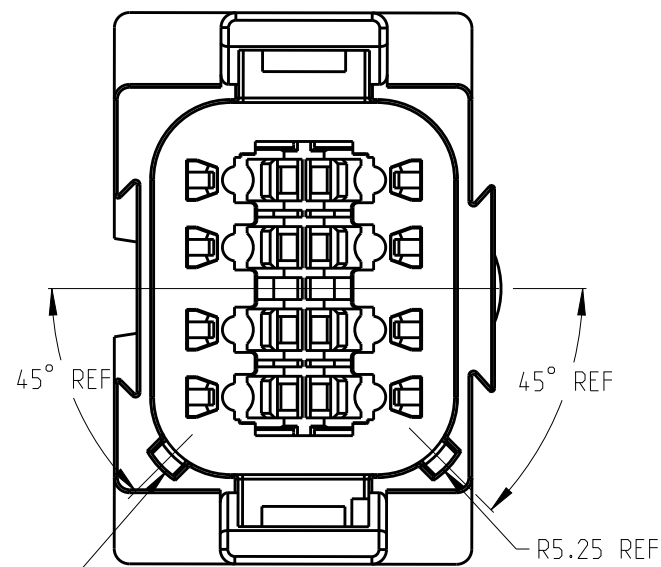
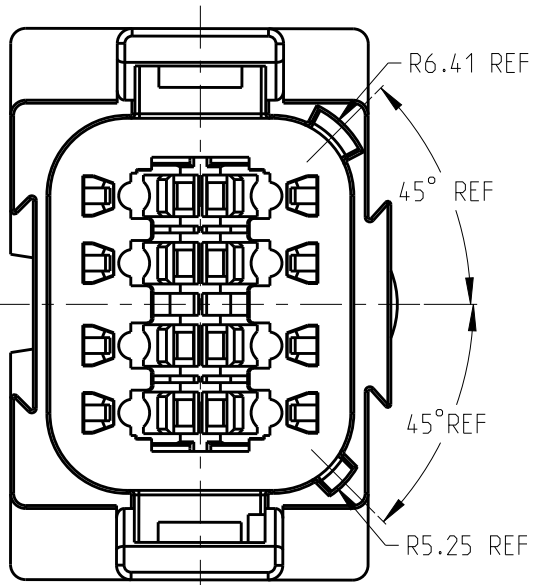
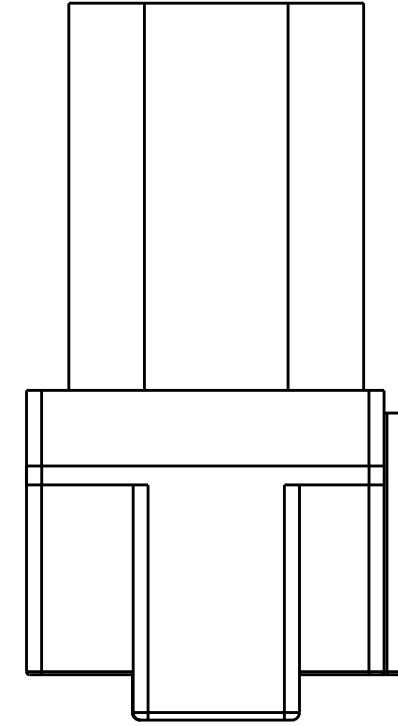
KEYING OPTION B


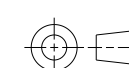


KEYING OPTION C



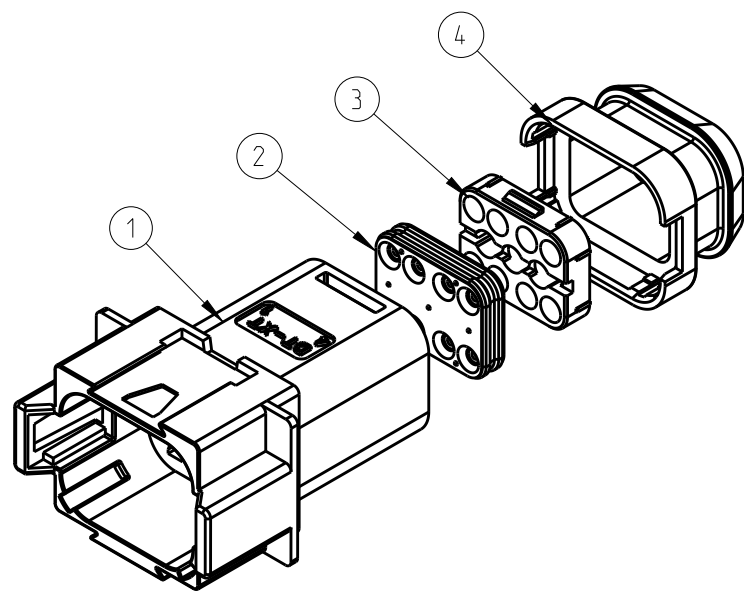
KEYING OPTION D



THIS DRAWING IS A CONTROLLED DOCUMENT.		DWN J. Gu 26 JUL 2020	 TE Connectivity			
DIMENSIONS: mm		CHK E. Jiang 26 JUL 2020			NAME 8CCT DT-XT CONNECTOR RECEPTACLE ASSEMBLY	
		APVD L. Yin 26 JUL 2020				
TOLERANCES UNLESS OTHERWISE SPECIFIED:		PRODUCT SPEC 108-160026	SIZE A3	CAGE CODE 00779	DRAWING NO C=2600038	RESTRICTED TO -
MATERIAL -		FINISH -	APPLICATION SPEC 114-160017		SCALE 2:1	
		WEIGHT -		SHEET 2 OF 3		REV A1
CUSTOMER DRAWING						

REVISIONS

P	LTR	DESCRIPTION	DATE	DWN	APVD
		SEE SHEET 1			



QTY.	TE PN	ALIAS PN	REVISION OF EACH ASSY NO.	WEIGHT OF EACH ASSY(g)	KEYING	A	A	B	C	D	RECEPTACLE HOUSING	BACK SEAL SMALL	BACK SEAL LARGE	BACK COVER	HEATSHRINK HOUSING
2-	-0	934445647	-	18.09		-	-	-	-	1	-	1	1	1	1
1-	-9	934445633	-	18.09		-	-	-	1	-	-	-	1	1	1
1-	-8	934445621	-	18.09		-	-	1	-	-	-	-	1	1	1
1-	-7	934445611	-	18.09		-	1	-	-	-	-	-	1	1	1
1-	-6	934445612	-	18.09		1	-	-	-	-	-	-	1	1	1
1-	-5	934445547	-	18.09		-	-	-	-	1	1	-	-	1	1
1-	-4	934445533	-	18.09		-	-	-	1	-	1	-	-	1	1
1-	-3	934445521	-	18.09		-	-	1	-	-	1	-	-	1	1
1-	-2	934445511	-	18.09		-	1	-	-	-	1	-	-	1	1
1-	-1	934445512	-	18.09		1	-	-	-	-	1	-	-	1	1
1-	-0	934445247	-	15.24		-	-	-	-	1	-	-	1	1	-
	-9	934445233	-	15.24		-	-	-	1	-	-	-	1	1	-
	-8	934445221	-	15.24		-	-	1	-	-	-	-	1	1	-
	-7	934445211	-	15.24		-	1	-	-	-	-	-	1	1	-
	-6	934445212	-	15.24		1	-	-	-	-	-	-	1	1	-
	-5	934445147	-	15.24		-	-	-	-	1	1	-	-	1	-
	-4	934445133	-	15.24		-	-	-	1	-	1	-	-	1	-
	-3	934445121	-	15.24		-	-	1	-	-	1	-	-	1	-
	-2	934445111	-	15.24		-	1	-	-	-	1	-	-	1	-
	-1	934445112	-	15.24		1	-	-	-	-	1	-	-	1	-
TE PN	ALIAS PN	REVISION OF EACH ASSY NO.	WEIGHT OF EACH ASSY(g)		KEYING	A	A	B	C	D	-	-	-	-	-
					COLOR	GERY	BLACK	BLACK	GREEN	BROWN	BURNT ORANGE	LIGHT BLUE	BLACK	BLACK	BLACK
					MATERIAL	NYLON GF30	NYLON GF30	NYLON GF30	NYLON GF30	NYLON GF30	SILICONE RUBBER	SILICONE RUBBER	NYLON GF30	NYLON GF30	NYLON GF30
					DESCRIPT ION	RECEPTACLE HOUSING					BACK SEAL SMALL	BACK SEAL LARGE	BACK COVER	HEATSHRINK HOUSING	
					ITEM NO	1					2		3	4	

THIS DRAWING IS A CONTROLLED DOCUMENT.

DWN J.Gu 26JUL2020
 CHK E.Jiang 26JUL2020
 APVD L.Yin 26JUL2020



DIMENSIONS: mm	TOLERANCES UNLESS OTHERWISE SPECIFIED: 0 PLC ± 1 PLC ± 2 PLC ± 3 PLC ± 4 PLC ± ANGLES ±
MATERIAL	FINISH

PRODUCT SPEC 108-160026
 APPLICATION SPEC 114-160017
 WEIGHT -
 CUSTOMER DRAWING

NAME 8CCT DT-XT CONNECTOR RECEPTACLE ASSEMBLY
 SIZE A3 CAGE CODE 00779 DRAWING NO. C-2600038 RESTRICTED TO -
 SCALE 1:1 SHEET 3 OF 3 REV A1

Mouser Electronics

Authorized Distributor

Click to View Pricing, Inventory, Delivery & Lifecycle Information:

[TE Connectivity:](#)

[934445611](#)