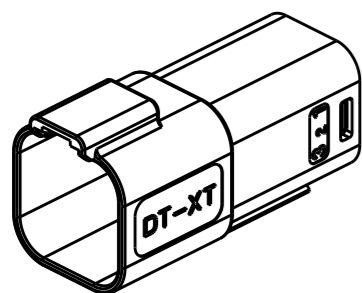
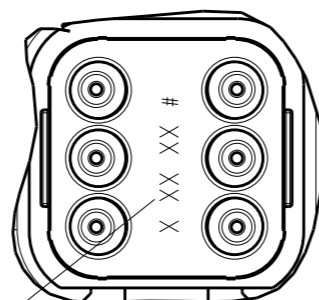


REVISIONS

P	LTR	DESCRIPTION	DATE	DWN	APVD
	A	INITIAL RELEASE	19JUN2020	J.G	I.Y
	A1	ECR-20-010349	26JUL2020	J.G	I.Y



6CCT RECEPTACLE CONNECTOR



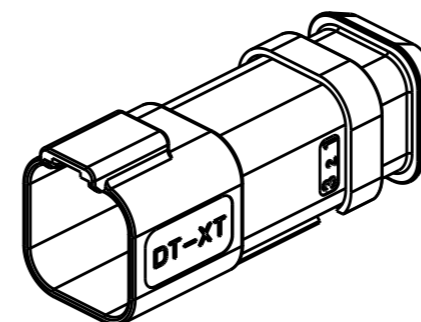
DETAIL B  
SCALE 2:1

DATE CODE: X XX XX  
 X- DAY: 1- 7  
 XX- WEEK: 01 - 52  
 XX- YEAR: 00 - 99

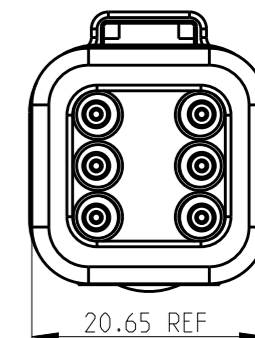
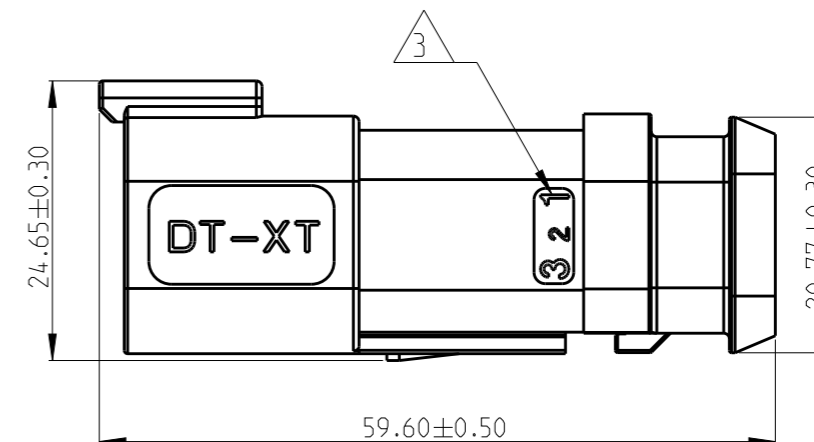
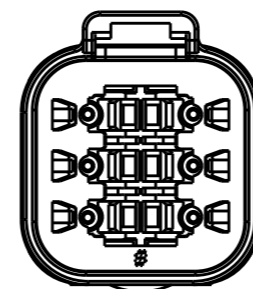
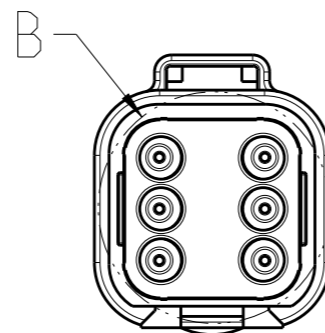
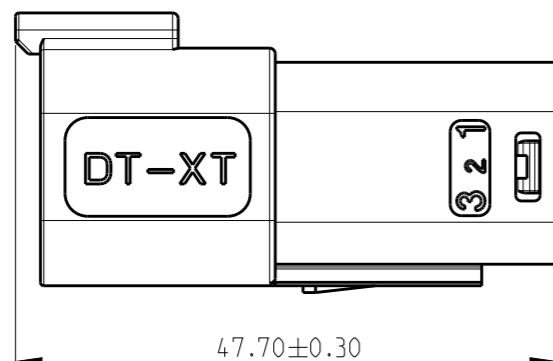
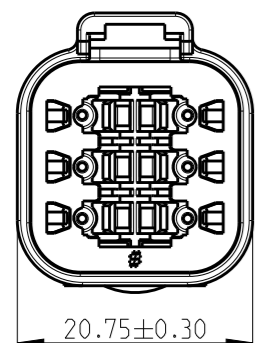
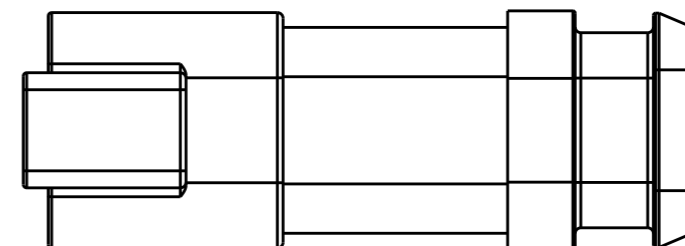


#- MACHINE NO. 1

EXAMPLE: 11315 = DAY 1, WEEK 13, YEAR 15  
 i.e. 23rd OF MARCH 2015



6CCT RECEPTACLE CONNECTOR WITH  
HEATSHRINK HOUSING ULTRASONICALLY  
WELDED IN PLACE



1. THIS RECEPT MATES WITH PLUG ASSEMBLY PN X-2600035-X.

2. MATERIALS  
 RECEPTACLE HOUSING: NYLON GF30, SEE PN TABLE FOR COLOUR  
 BACK SEAL: SILICONE RUBBER  
 BACK COVER: NYLON GF30, BLACK  
 HEATSHRINK HOUSING: NYLON GF30, BLACK

3 CIRCUIT IDENTIFICATION

4 DATE CODE DESCRIPTION

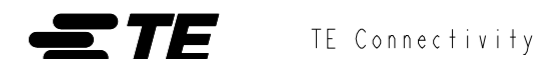
5. JACKET RANGE LARGE = Ø2.23MM TO 3.68MM (SEAL COLOUR: LIGHT BLUE)  
 JACKET RANGE SMALL = Ø1.35MM TO 3.05MM (SEAL COLOUR: BURNT ORANGE)

6. SEE SHEET 2 FOR FINAL PART NUMBER

THIS DRAWING IS A CONTROLLED DOCUMENT.

DIMENSIONS:	TOLERANCES UNLESS OTHERWISE SPECIFIED:
mm	
	0 PLC ±
	1 PLC ±
	2 PLC ±
	3 PLC ±
	4 PLC ±
	ANGLES ±
MATERIAL -	FINISH -

DWN	J.GU	26JUL2020
CHK	E. JIANG	26JUL2020
APVD	L.YIN	26JUL2020
PRODUCT SPEC	108-160026	
APPLICATION SPEC	114-160017	
WEIGHT	-	



NAME  
6CCT DT-XT CONNECTOR  
RECEPTACLE ASSEMBLY

SIZE	CAGE CODE	DRAWING NO	RESTRICTED TO
A3	00779	C=2600034	-

CUSTOMER DRAWING;RESTRICTED CUSTOMER	SCALE 1:1	SHEET 1 OF 2	REV A1
--------------------------------------	-----------	--------------	--------

THIS DRAWING IS UNPUBLISHED.

RELEASED FOR PUBLICATION

20

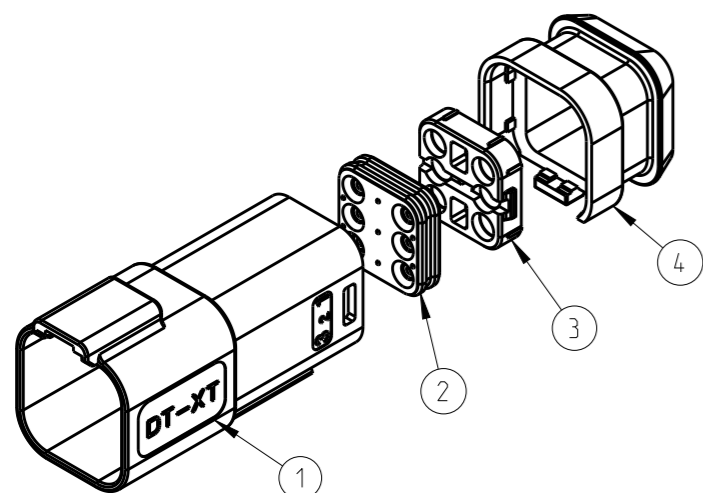
© COPYRIGHT 2020

TE Connectivity. All Rights Reserved.

ALL RIGHTS RESERVED.

REVISIONS

P	LTR	DESCRIPTION	DATE	DWN	APVD
		SEE SHEET 1			



TE PN	ALIAS PN	REVISION OF EACH ASSY NO.	WEIGHT OF EACH ASSY(g)	COLOR	BLACK	GERY	GREEN	BLUE	YELLOW	WHITE	BROWN	ORANGE	RED	BURNT ORANGE	LIGHT BLUE	BLACK	BLACK	
3--6	934444609	-	12.12		-	-	-	-	-	-	-	-	1	-	1	1	1	
3--5	934444608	-	12.12		-	-	-	-	-	-	-	1	-	-	1	1	1	
3--4	934444607	-	12.12		-	-	-	-	-	1	-	-	-	-	1	1	1	
3--3	934444606	-	12.12		-	-	-	-	-	1	-	-	-	-	1	1	1	
3--2	934444605	-	12.12		-	-	-	-	1	-	-	-	-	-	1	1	1	
3--1	934444604	-	12.12		-	-	-	1	-	-	-	-	-	-	1	1	1	
3--0	934444603	-	12.12		-	-	-	-	-	-	-	-	-	-	1	1	1	
2--9	934444602	-	12.12		-	1	-	-	-	-	-	-	-	-	1	1	1	
2--8	934444601	-	12.12		-	-	-	-	-	-	-	-	-	-	1	1	1	
2--7	934444509	-	12.12		1	-	-	-	-	-	-	-	-	-	1	1	1	
2--6	934444508	-	12.12		-	-	-	-	-	-	-	1	-	1	-	1	1	
2--5	934444507	-	12.12		-	-	-	-	-	1	-	-	-	1	-	1	1	
2--4	934444506	-	12.12		-	-	-	-	-	1	-	-	-	1	-	1	1	
2--3	934444505	-	12.12		-	-	-	-	1	-	-	-	-	1	-	1	1	
2--2	934444504	-	12.12		-	-	-	1	-	-	-	-	-	1	-	1	1	
2--1	934444503	-	12.12		-	-	-	-	-	-	-	-	-	1	-	1	1	
2--0	934444502	-	12.12		-	1	-	-	-	-	-	-	-	1	-	1	1	
1--9	934444501	-	12.12		1	-	-	-	-	-	-	-	-	1	-	1	1	
1--8	934444209	-	9.35		-	-	-	-	-	-	-	1	-	1	-	1	-	
1--7	934444208	-	9.35		-	-	-	-	-	-	1	-	-	1	-	1	-	
1--6	934444207	-	9.35		-	-	-	-	-	1	-	-	-	1	-	1	-	
1--5	934444206	-	9.35		-	-	-	-	1	-	-	-	-	1	-	1	-	
1--4	934444205	-	9.35		-	-	-	1	-	-	-	-	-	1	-	1	-	
1--3	934444204	-	9.35		-	-	-	1	-	-	-	-	-	1	-	1	-	
1--2	934444203	-	9.35		-	-	1	-	-	-	-	-	-	1	-	1	-	
1--1	934444202	-	9.35		-	1	-	-	-	-	-	-	-	1	-	1	-	
1--0	934444201	-	9.35		1	-	-	-	-	-	-	-	-	1	-	1	-	
-9	934444109	-	9.35		-	-	-	-	-	-	-	1	1	-	-	1	-	
-8	934444108	-	9.35		-	-	-	-	-	-	1	-	1	-	-	1	-	
-7	934444107	-	9.35		-	-	-	-	-	1	-	-	1	-	-	1	-	
-6	934444106	-	9.35		-	-	-	-	1	-	-	-	1	-	-	1	-	
-5	934444105	-	9.35		-	-	-	-	1	-	-	-	1	-	-	1	-	
-4	934444104	-	9.35		-	-	-	1	-	-	-	-	1	-	-	1	-	
-3	934444103	-	9.35		-	-	1	-	-	-	-	-	1	-	-	1	-	
-2	934444102	-	9.35		-	1	-	-	-	-	-	-	1	-	-	1	-	
-1	934444101	-	9.35		1	-	-	-	-	-	-	-	1	-	-	1	-	
				DESCRIPTION	RECEPTACLE HOUSING										BACK SEAL SMALL	BACK SEAL LARGE	BACK COVER	HEATSHRINK HOUSING
				ITEM NO	1										2		3	4

QTY. REQUEST PER ASSY

THIS DRAWING IS A CONTROLLED DOCUMENT.

DIMENSIONS:	TOLERANCES UNLESS OTHERWISE SPECIFIED:
mm	0 PLC ±
	1 PLC ±
	2 PLC ±
	3 PLC ±
	4 PLC ±
	ANGLES ±

MATERIAL	FINISH
-	-

DWN	J.GU	26JUL2020
CHK	E. JIANG	26JUL2020
APVD	L. YIN	26JUL2020
PRODUCT SPEC	108-160026	
APPLICATION SPEC	114-160017	
WEIGHT	-	

**STE** TE Connectivity

NAME: 6CCT DT-XT CONNECTOR RECEPTACLE ASSEMBLY

SIZE	CAGE CODE	DRAWING NO	RESTRICTED TO
A3	00779	©=2600034	-

CUSTOMER DRAWING; RESTRICTED CUSTOMER SCALE 1:1 SHEET 2 OF 2 REV A1

# Mouser Electronics

Authorized Distributor

Click to View Pricing, Inventory, Delivery & Lifecycle Information:

[TE Connectivity:](#)

[934444501](#)